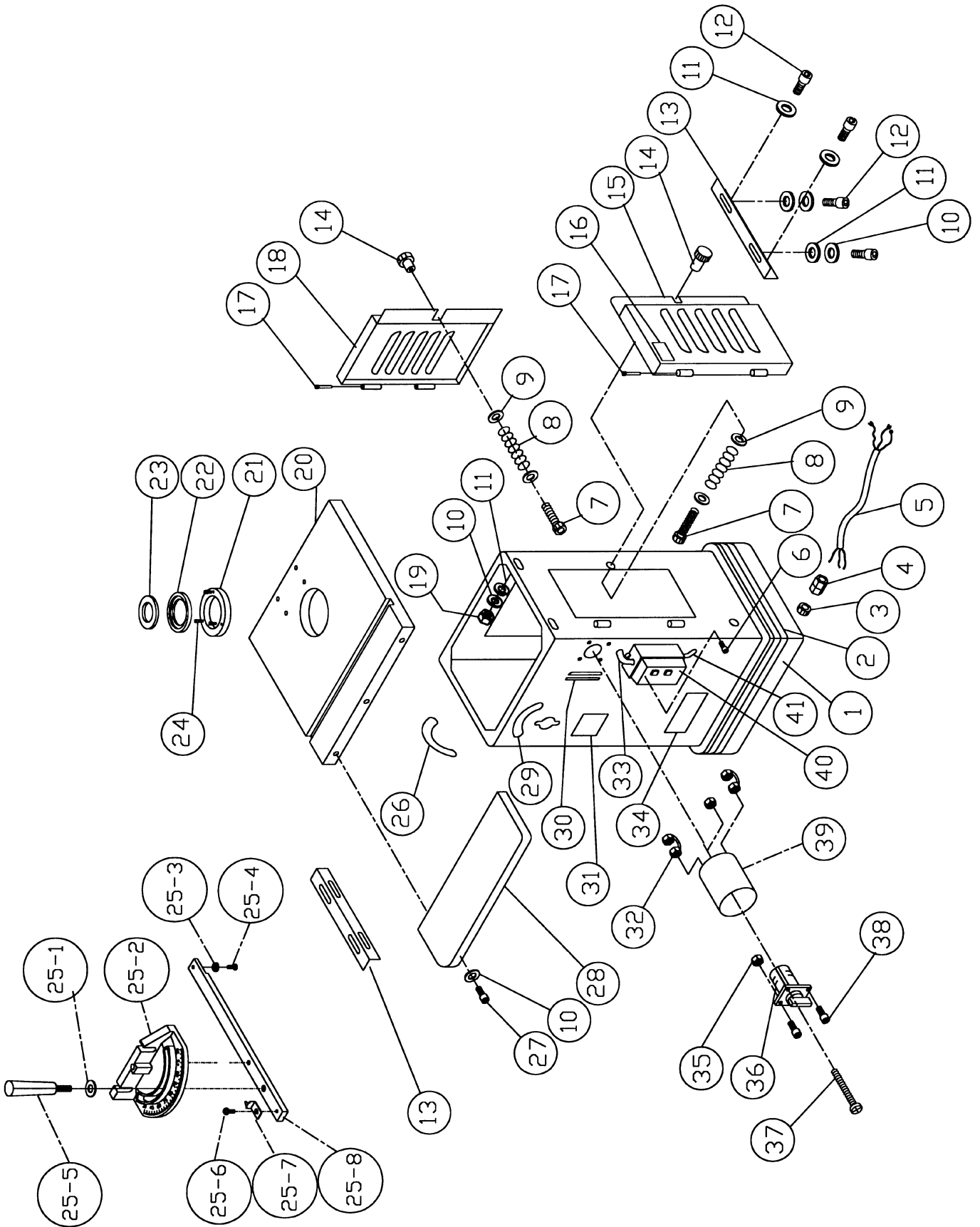


Base Breakdown

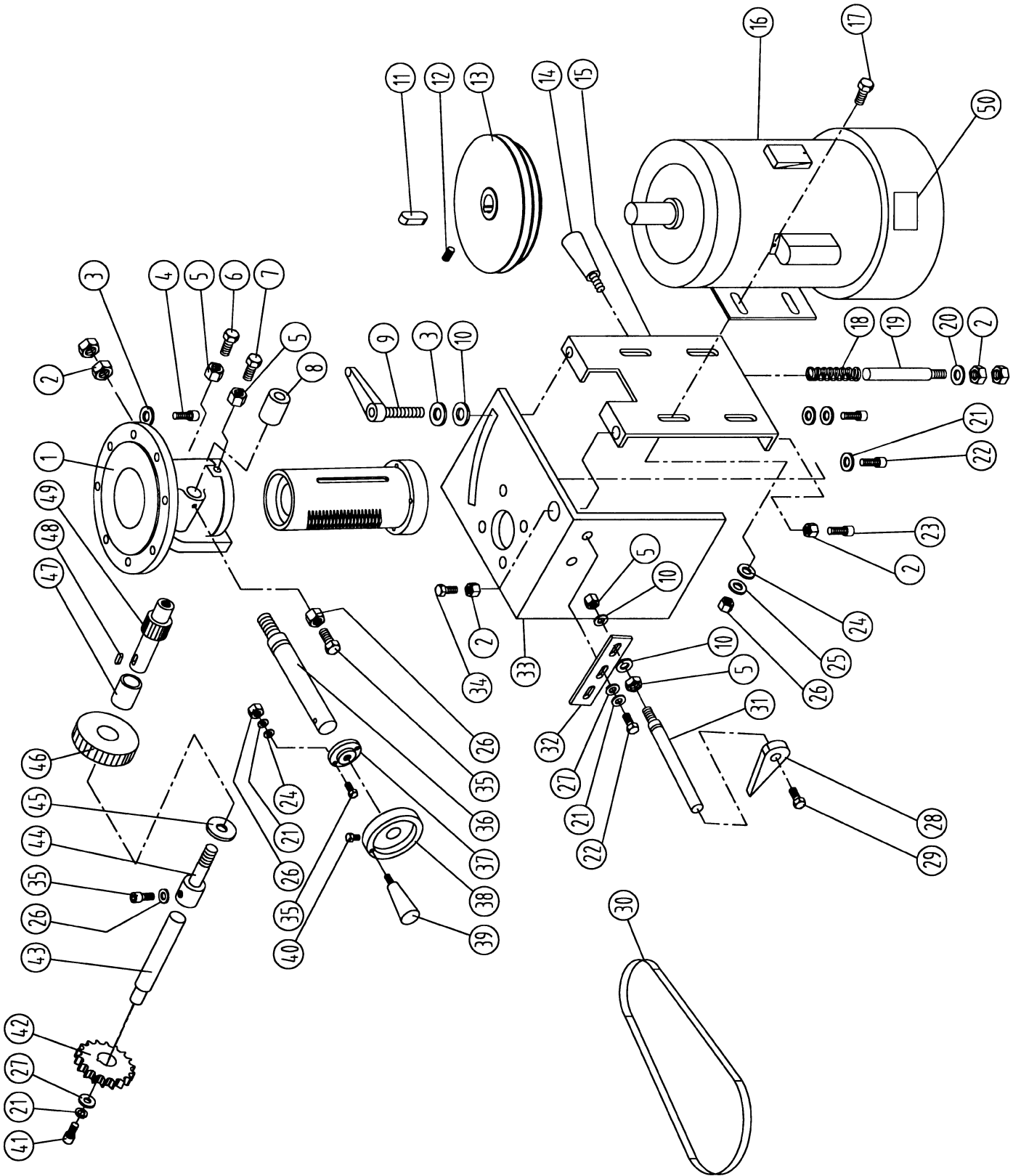


Parts List for the JET JWS-25CS Shaper

Base Assembly

Index No.	Part No.	Description	Size	Qty.
1	JWS25-101	Cabinet		1
2	JWS25-102	JET Stripe		1
3	JWS25-103	Plastic Nut		1
4	JWS25-104	Strain Relief		1
5	JWS25-105	Motor Cord (fwd.-rev. switch to motor)		1
6	JWS25-106	Screw	3/16x3/4	2
7	JWS25-107	Hex Head Bolt	M8x75	2
8	JWS25-108	Spring		2
9	TS-0680031	Washer	5/16	4
10	TS-0720091	Lock Washer	3/8	11
11	TS-0680041	Flat Washer	3/8	12
12	TS-0060051	Hex Head Screw	3/8-16x1	8
13	JWS25-113	Bar		2
14	JWS25-114	Knob		2
15	JWS25-115	Motor Door		1
16	JWS25-116	I.D. Label		1
17	JWS25-117	Door Pin		4
18	JWS25-118	Cabinet Door		1
19	TS-0561031	Hex Nut	3/8-16	4
20	JWS25-120	Table		1
21	JWS25-121	Table Insert		1
22	JWS25-122-1	Table Ring		1
23	JWS25-123-2	Table Ring		1
24	TS-0270061	Socket Set Screw	5/16-18x5/8	3
25	709520	Miter Gauge Assembly (incls. 25-1 – 25-8)		1
25-1	TS-0680031	Flat Washer	5/16	1
25-2	JWS25-125-2	Miter Gauge Body		1
25-3	JWS25-125-3	Washer		1
25-4	JWS25-125-4	Flat Head Screw		1
25-5	JWS25-125-5	Knob		1
25-6	JWS25-125-6	Screw	3/16x1/4	1
25-7	JWS25-125-7	Pointer		1
25-8	JWS25-125-8	Guide Plate		1
26	JWS25-126	Label (spindle lock)		1
27	TS-0060051	Hex Head Bolt	3/8-16x1	3
28	JWS25-128	Extension Wing		1
29	JWS25-129	Label (spindle direction)		1
30	JWS25-130	Scale		1
31	JWS25-131	Warning Label		1
32	JWS25-132	Strain Relief Bushing		2
33	JWS25-133	Power Cord		1
34	JWS25-134	Name Plate		1
35	JWS25-135	Hex Nut		4
36	JWS25-136	Fwd.-Rev. Switch Assembly		1
37	JWS25-137	Screw	5/32x4	2
38	JWS25-138	Flat Head Screw	5/32x3/4	2
39	JWS25-139	Switch Cover		1
40	JWS25-140	Magnetic Switch Assembly		1
41	JWS25-141	Switch Cord (for.-rev. switch to magnetic switch)		1
42	JWS25-142	Starting Pin		1

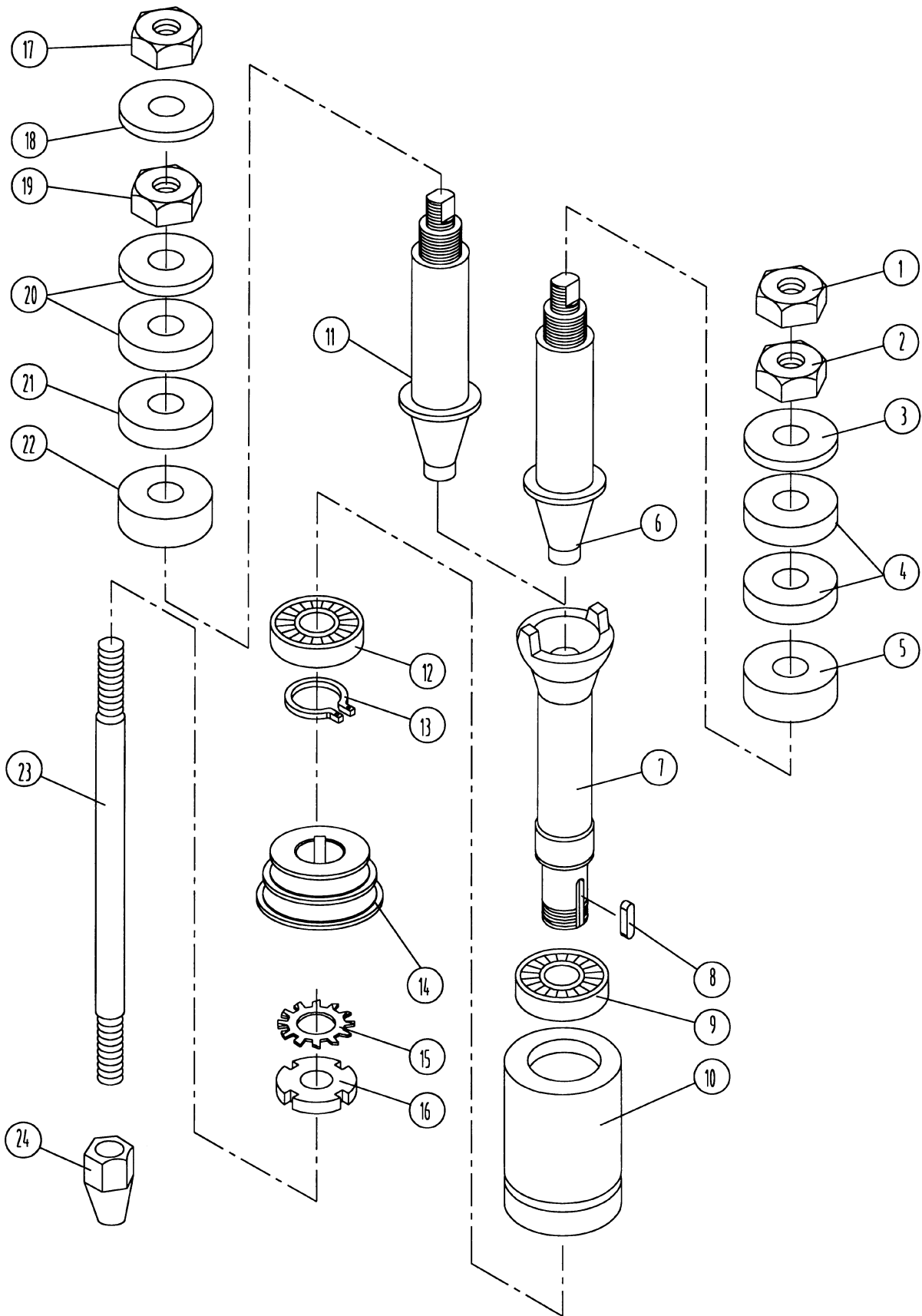
Motor Assembly



Motor Assembly

Index No.	Part No.	Description	Size	Qty.
1	JWS25-201	Spindle Housing		1
2	JWS25-202	Hex Nut	1/2	6
3	TS-0720091	Lock Washer	3/8	5
4	TS-0060051	Hex Head Screw	3/8-16x1	8
5	TS-0561031	Hex Nut	3/8-16	7
6	TS-0090061	Hex Head Bolt	3/8x1-1/4	1
7	TS-0090061	Hex Head Bolt	3/8x1-1/4	1
8	JWS25-208	Collar		1
9	JWS25-209	Lock Handle		1
10	TS-0680041	Flat Washer	3/8	3
11	JWS25-211	Key		1
12	TS-0270032	Socket Set Screw	5/16-24x3/8	1
13	JWS25-213	Motor Pulley		1
14	JWS25-214	Knob		1
15	JWS25-215	Motor Plate		1
16	JWS25-216	Motor	3HP, 1Ph 230V	1
17	JWS25-217	Carriage Bolt	5/16x3/4	4
18	JWS25-218	Spring		1
19	JWS25-219	Shaft		1
20	TS-0680061	Flat Washer	1/2	1
21	TS-0720071	Lock Washer	1/4	7
22	TS-0050031	Hex Head Screw	1/4-20x3/4	6
23	TS-0070031	Hex Head Screw	1/2-13x1-1/2	1
24	TS-0680031	Flat Washer	5/16	6
25	TS-0720081	Lock Washer	5/16	6
26	TS-0561021	Hex Nut	5/16-18	8
27	TS-0680021	Flat Washer	1/4	3
28	JWS25-228	Pointer		1
29	JWS25-229	Flat Head Screw	M5x0.8x10	1
30	VB-K23	V-Belt	K-23	1
31	JWS25-231	Shaft		1
32	JWS25-232	Plate		1
33	JWS25-233	Motor Plate Bracket		1
34	JWS25-234	Hex Cap Screw	1/2	1
35	TS-0051051	Hex Cap Screw	5/16-18x1	4
36	JWS25-236	Shaft		1
37	JWS25-237	Flange		1
38	JWS25-238	Handle Wheel		1
39	JWS25-239	Handle		1
40	TS-0270061	Socket Set Screw	5/16-18x5/8	1
41	TS-0050051	Hex Cap Screw	1/4-20x1	1
42	JWS25-242	Gear		1
43	JWS25-243	Lock Bar		1
44	JWS25-244	Lock Screw		1
45	JWS25-245	Washer		1
46	JWS25-246	Gear		1
47	JWS25-247	Collar		1
48	JWS25-248	Key		1
49	JWS25-249	Gear Shaft		1
50	JWS25-250	Motor Name Plate		1

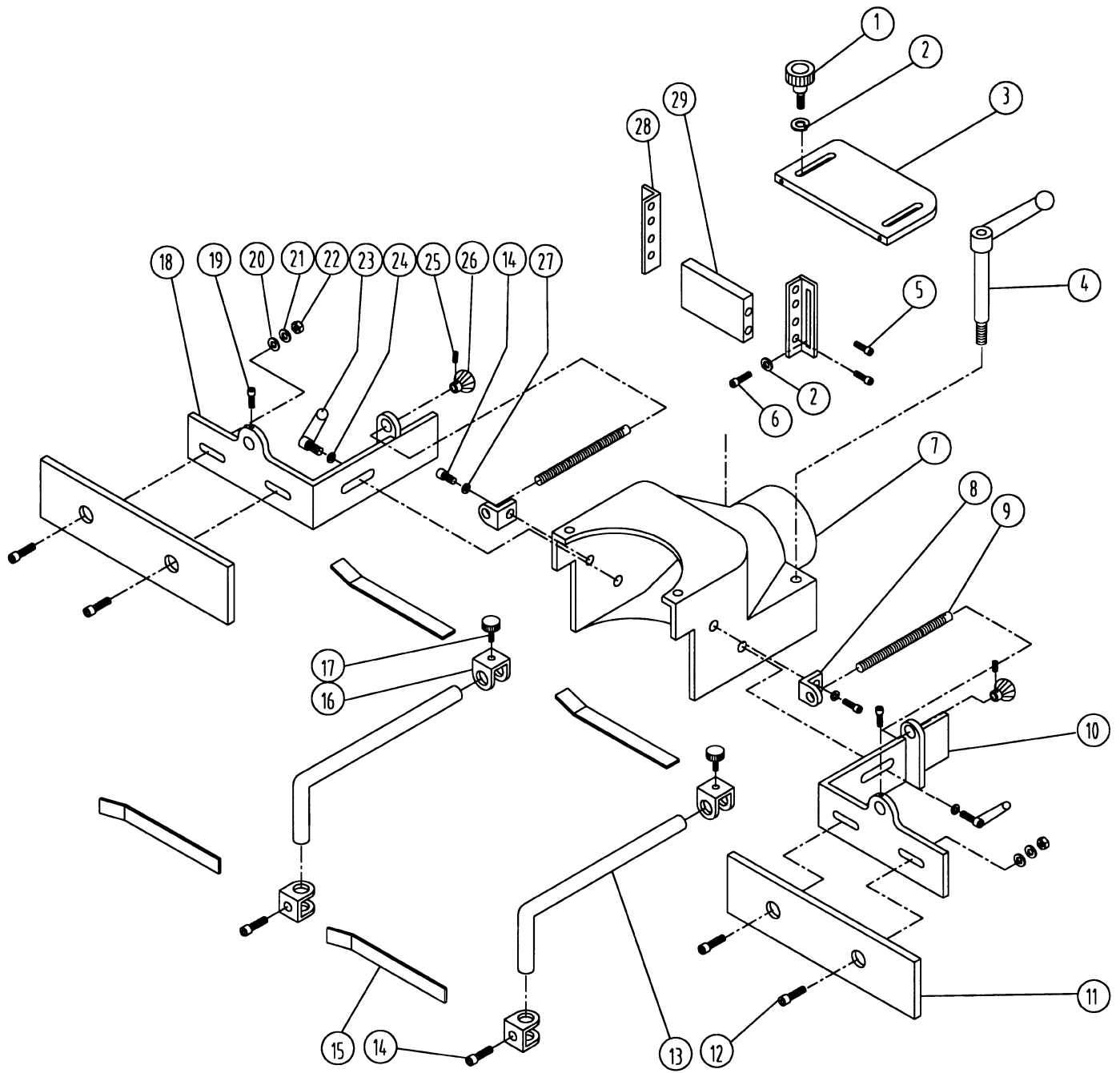
Spindle Assembly



Spindle Assembly

Index No.	Part No.	Description	Size	Qty.
1	JWS25-301	Hex Nut	5/8 L.H.	1
2	JWS25-302	Hex Nut	3/4 R.H.	1
3	JWS25-303	Spacer	3/4x1/2	1
4	JWS25-304	Spacer	3/4x3/4	2
5	JWS25-305	Spacer	3/4x1	1
6	709526	Spindle	3/4	1
7	JWS25-307	Main Spindle		1
8	JWS25-308	Key	M5x16	1
9	JWS25-309	Ball Bearing		1
10	JWS25-310	Spindle Housing		1
11	709527	Spindle	1/2	1
12	JWS25-312	Ball Bearing		1
13	JWS25-313	Snap Ring	S-25	1
14	JWS25-314	Pulley		1
15	JWS25-315	Gear Washer		1
16	JWS25-316	Lock Nut		1
17	JWS25-317	Hex Nut	3/8	1
18	JWS25-318	Washer		1
19	JWS25-319	Hex Nut	1/2	1
20	JWS25-320	Spacer	1/2x1/2	2
21	JWS25-321	Spacer	1/2x3/4	1
22	JWS25-322	Spacer	1/2x1	1
23	JWS25-323	Draw Bar		1
24	JWS25-324	Taper Nut		1
	JWS25-325	Arbor Wrench (not shown)		1

Fence Breakdown



Fence Assembly

Index No.	Part No.	Description	Size	Qty.
1	JWS25-401	Knob		2
2	TS-0680021	Flat Washer	1/4	4
3	JWS25-403	Plate Guard		1
4	JWS25-404	Ratcheting Handle		2
5	JWS25-405	Wood Screw		4
6	JWS25-406	Screw	1/4-20x1/2	2
7	JWS25-407	Dust Chute		1
8	JWS25-408	Bracket Screw Guide		2
9	JWS25-409	Screw Guide		2
10	JWS25-410	Bracket Fence R.H.		1
11	JWS25-411	Fence		2
	709529	Fence Assembly		
12	JWS25-412	Flat Head Screw	5/16x1-1/2	4
13	JWS25-413	Guide Support		2
14	TS-0060051	Hex Cap Bolt	3/8-16x1	4
15	JWS25-415	Guide Plate		4
	709522	Work Hold Down		
16	JWS25-416	Slide Block		4
17	JWS25-417	Knob		2
18	JWS25-418	Bracket Fence L.H.		1
19	JWS25-419	Hex Head Bolt	3/8x3/4	2
20	TS-0680031	Flat Washer	5/16	4
21	TS-0720081	Lock Washer	5/16	4
22	TS-0561021	Hex Nut	5/16-18	4
23	JWS25-423	Ratcheting Handle		2
24	TS-0680041	Flat Washer	3/8	2
25	TS-0267021	Socket Set Screw	1/4x1/4	2
26	JWS25-426	Knob		2
27	TS-0720091	Lock Washer	3/8	2
28	JWS25-428	Angle Fence		2
29	JWS25-429	Guard		1

Optional Accessories

709529 Fence Assembly
 709528 Hardware Kit
 709527 1/2" Spindle
 709526 3/4" Spindle
 709525 1/2" Router Collet
 709524 1/4" Router Collet
 709523 3/8" Router Collet
 709522 Work Hold Down
 709521 1" Spindle
 709520 Miter Gauge

Electrical Schematic

