



Operating Instructions and Parts Manual

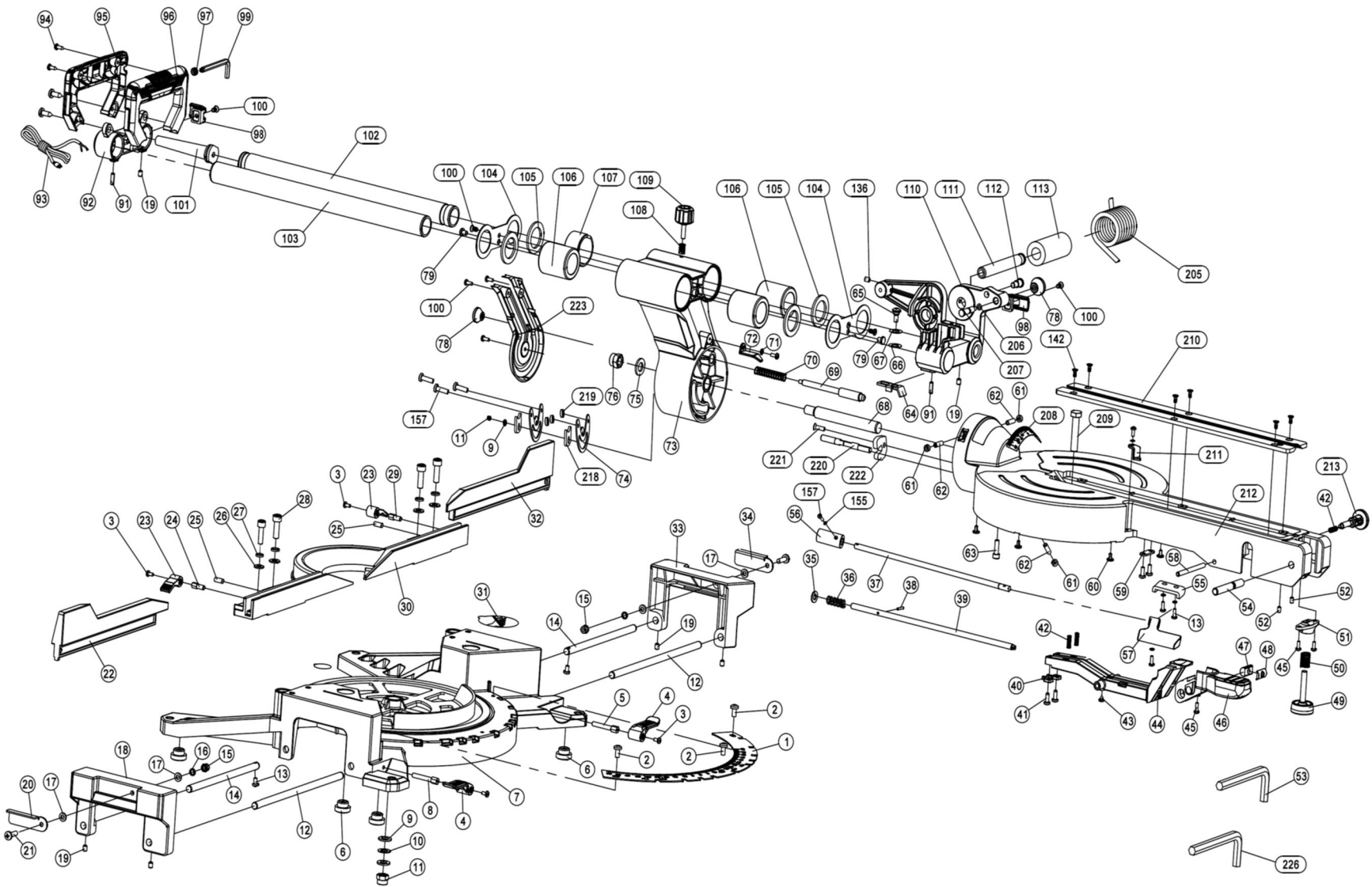
Sliding Dual-Bevel Compound Miter Saw

Model JMS-10X and JMS-12X

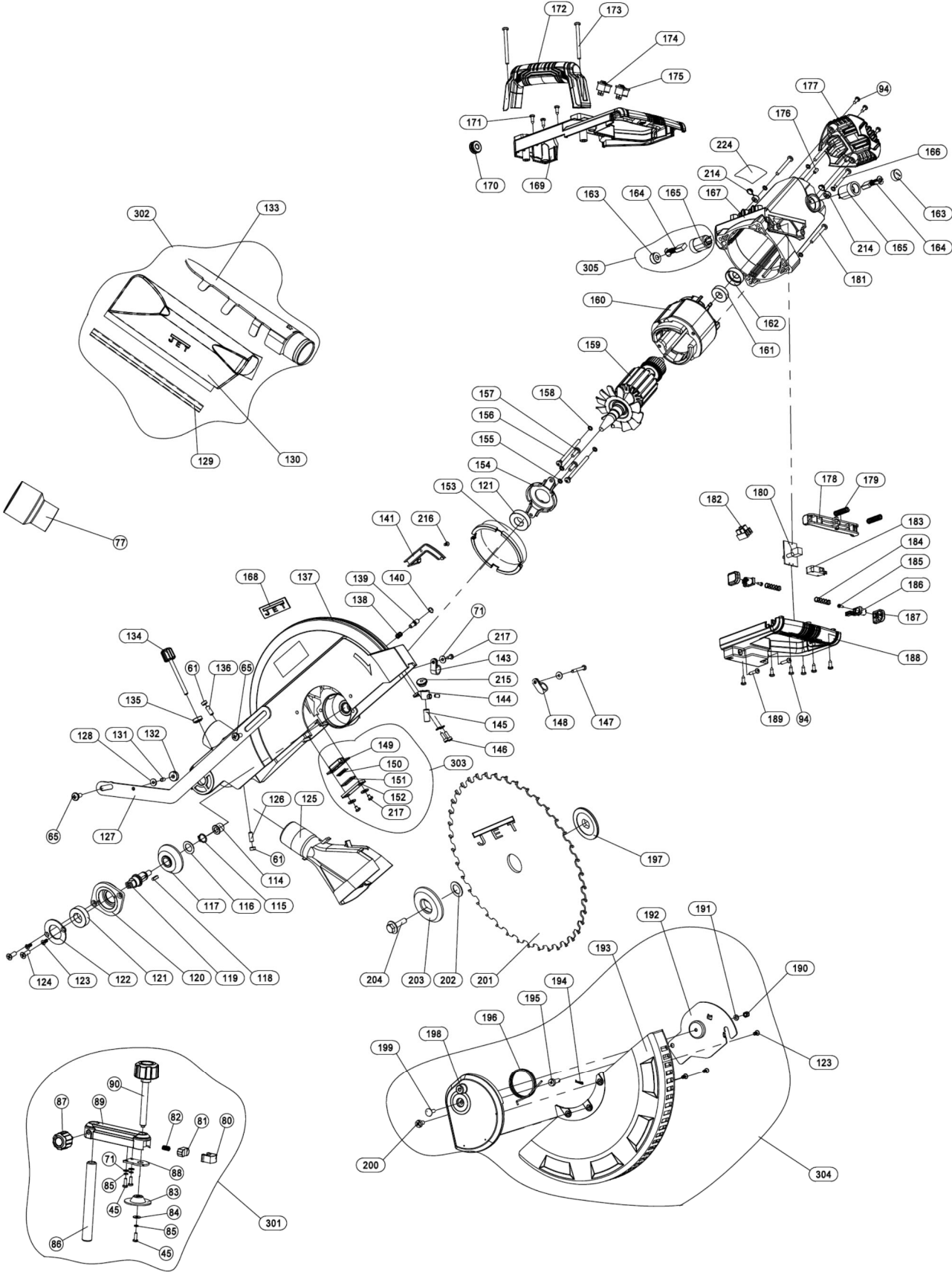


JET
427 New Sanford Road
LaVergne, Tennessee 37086
Ph.: 800-274-6848
www.jettools.com

Part No. M-707210
Edition 1 06/2019
Copyright © 2019 JET



13.2.2 JMS-12X (#707212) – Miter Saw Assembly – Exploded View II



13.2.3 JMS-12X (#707212) – Miter Saw Assembly – Parts List

Index No	Part No	Description	Size	Qty
001	JMS12X-001	Miter Angle Scale		1
002	TS-2246122	Socket Head Button Screw	M6x12	3
003	TS-2284082	Pan Head Machine Screw	M4x8	4
004	JMS10X-004	Lock Handle		2
005	JMS12X-005	Lock Bolt (RH Threads)		1
006	JMS10X-006	Foot		4
007	JMS12X-007	Base		1
008	JMS12X-008	Lock Bolt (LH Threads)		1
009	TS-1550071	Flat Washer	10 mm	3
010	JMS10X-010	Wave Washer	10 mm	1
011	TS-2342101	Hex Nut, Nylon Lock	M10	2
012	JMS10X-012	Extension Rod (Long)		2
013	TS-1533042	Pan Head Machine Screw	M5x12	7
014	JMS10X-013	Extension Rod (Short)		2
015	TS-1541021	Hex Nut, Nylon Lock	M6	2
016	TS-2361061	Lock Washer	6 mm	2
017	TS-1550041	Flat Washer	6 mm	4
018	JMS12X-018	Left Worktable		1
019	TS-1523011	Socket Set Screw	M6x6	7
020	JMS10X-017	Left Stop Plate		1
021	TS-2286202	Pan Head Machine Screw	M6x20	2
022	JMS12X-022	Fence Extension, Left		1
023	JMS10X-022	Lock Handle		2
024	JMS10X-023	Lock Bolt (RH Threads)		1
025	TS-1523051	Socket Set Screw	M6x16	2
026	TS-1550061	Flat Washer	8 mm	4
027	TS-2361081	Lock Washer	8 mm	4
028	TS-1504051	Socket Head Cap Screw	M8x25	4
029	JMS10X-028	Lock Bolt (LH Threads)		1
030	JMS12X-030	Fence		1
031	JMS10X-162	Warning Label (Hands Clear Symbol)		2
032	JMS12X-032	Fence Extension, Right		1
033	JMS12X-033	Right Worktable		1
034	JMS10X-033	Right Stop Plate		1
035	TS-1550061	Flat Washer	8 mm	1
036	JMS12X-036	Spring		1
037	JMS12X-037	Locking Rod		1
038	JMS10X-037	Pin	3x16 mm	1
039	JMS12X-039	Locking Rod		1
040	JMS10X-036	Located Block		1
041	JMS10X-035	Self-Tapping Screw	ST4.8x13	4
042	JMS10X-051	Spring		3
043	JMS12X-043	Self-Tapping Screw	ST4.2x6.5	1
044	JMS12X-044	Fixed Block		1
045	TS-1532042	Pan Head Machine Screw	M4x12	8
046	JMS10X-045	Lock Handle		1
047	JMS10X-046	Adjust Pin		1
048	JMS10X-047	Locking Block		1
049	JMS10X-041	Adjustable Foot		1
050	JMS10X-042	Spring		1
051	JMS10X-044	Support		1
052	TS-1522021	Socket Set Screw	M5x8	3
053	JMS10X-074	Hex Wrench	2.5mm	1
054	JMS12X-054	Lock Axis		1
055	JMS10X-050	Stop Plate		1
056	JMS10X-056	Sleeve		1
057	JMS10X-057	Lock Handle		1
058	JMS12X-058	Locating Axis		1
059	JMS10X-034	Stop Plate		1

Index No	Part No	Description	Size	Qty
060	JMS10X-206	Washer		6
061	JMS10X-059	Locking Ring		5
062	TS-1523061	Socket Set Screw	M6x20	3
063	TS-1503051	Socket Head Cap Screw	M6x20	1
064	JMS12X-064	Stop Plate		1
065	JMS10X-064	Screw		3
066	JMS10X-063	Washer	8 mm	1
067	F011908	Wave Washer	8 mm	1
068	JMS12X-068	Shaft		1
069	JMS12X-069	Pin		1
070	JMS10X-067	Spring		1
071	TS-1550021	Flat Washer	4 mm	8
072	JMS10X-069	Pointer		1
073	JMS12X-073	Support Arm		1
074	JMS12X-074	Friction Pad		2
075	TS-2360121	Flat Washer	12 mm	1
076	TS-2342121	Hex Nut, Nylon Lock	M12	1
077	JMS10X-197	Adaptor		1
078	JMS10X-086	Knob		2
079	JMS10X-087	Washer		2
080	JMS10X-077	Button		1
081	JMS10X-076	Locking Block		1
082	JMS10X-075	Spring		1
083	JMS10X-078	Plate		1
084	JMS12X-084	Washer	4mm	2
085	TS-2361041	Lock Washer	4mm	3
086	JMS12X-086	Post		1
087	JMS10X-083	Knob		1
088	JMS10X-082	Plate		1
089	JMS10X-084	Clamp Support		1
090	JMS10X-085	Handle		1
091	F012104	Roll Pin	5x14 mm	2
092	JMS12X-092	Sleeve		1
093	JMS10X-212	Power Cord	14AWG	1
094	F011287	Self-Tapping Screw	ST4.2x13 mm	6
095	JMS12X-095	Handle Left		1
096	JMS12X-096	Handle Right		1
097	JMS10X-093	Grommet		1
098	JMS10X-094	Cord Holder		1
099	JMS10X-095	Hex Wrench with Cross Point	6mm	1
100	TS-1513011	Socket Head Flat Screw	M5x10	4
101	JMS12X-101	Protective Sleeve		1
102	JMS12X-102	Slide Bar, Right		1
103	JMS12X-103	Slide Bar, Left		1
104	JMS12X-104	Bearing Plate		2
105	JMS12X-105	Felt		4
106	JMS12X-106	Bearing	LM304550	4
107	JMS12X-107	Bearing Sleeve		2
108	JMS10X-107	Spring		1
109	JMS10X-106	Knob		1
110	JMS12X-110	Support		1
111	JMS12X-111	Shaft		1
112	JMS10X-110	Screw		1
113	JMS12X-113	Sleeve		1
114	JMS10X-112	Bearing		1
115	F006042	C-Retaining Ring, Ext	14 mm	1
116	JMS10X-114	Washer		1
117	JMS10X-115	Gear		1
118	K-4412	Key, Dbl Rd Hd	4x4x12 mm	1
119	JMS10X-117	Arbor		1
120	JMS10X-118	Gear Cover		1
121	BB-6003ZZ	Bearing	6003-2RS	2

Index No	Part No	Description	Size	Qty
122	JMS10X-120	Plate		1
123	TS-1512011	Socket Head Flat Screw	M4x10	5
124	TS-1514021	Socket Head Flat Screw	M6x16	2
125	JMS12X-125	Dust Exhaust		1
126	TS-1523071	Socket Set Screw	M6x25	1
127	JMS12X-127	Linkage Bar		1
128	JMS10X-125	Washer	6 mm	1
129	JMS10X-126	Clip		1
130	JMS10X-127	Dust Bag		1
131	JMS10X-128	Pin		1
132	JMS12X-132	Bearing	606-2RS	1
133	JMS10X-130	Plastic Parts		1
134	JMS12X-134	Knob		1
135	JMS10X-132	Nut		1
136	TS-1523051	Socket Set Screw	M6x16	2
137	JMS12X-137	Saw Body		1
138	JMS10X-138	Pin		1
139	JMS10X-137	Spring		1
140	JMS10X-136	Retaining Ring	Ø10.5x1 mm	1
141	JMS12X-141	Support Piece		1
142	TS-1512011	Socket Head Flat Screw	M4x10	6
143	JMS10X-135	Cable Clip		1
144	JMS10X-141	Laser Seat		1
145	JMS10X-139	Laser Unit		2
146	TS-1501041	Socket Head Cap Screw	M4x12	2
147	JMS12X-147	Self-Tapping Screw	ST4.2x40	1
148	JMS10X-144	Cable Clip		1
149	JMS10X-145	Light Box		1
150	JMS10X-146	LED Light		1
151	JMS10X-147	Seal		1
152	JMS10X-148	Lens		1
153	JMS10X-149	Deflector		1
154	JMS10X-150	Motor Plate		1
155	TS-2361051	Lock Washer	5 mm	5
156	F001231	Pan Head Machine Screw	M5-0.8x70	2
157	TS-1533052	Pan Head Machine Screw	M5x16	8
158	TS-1550031	Flat Washer	5 mm	6
159	JMS12X-159	Armature		1
160	JMS12X-160	Stator		1
161	BB-6001ZZ	Ball Bearing	6001-2RS	1
162	JMS10X-156	Damping Ring		1
163	JMS10X-157	Cap		2
164	JMS10X-158	Carbon Brush		2
165	JMS10X-159	Brush Holder		2
166	F001232	Pan Head Machine Screw	M5-0.8x45	2
167	JMS10X-161	Motor Housing		1
168	JET-92	JET Logo	92x38mm	1
169	JMS12X-169	Upper Handle		1
170	JMS10X-164	Grommet		1
171	JDP17-090	Self-Tapping Screw	ST4.2x16 mm	8
172	JMS10X-165	Handle		1
173	F001233	Pan Head Machine Screw	M5-0.8x60	2
174	JMS10X-168	Laser Switch	KCD-117	1
175	JMS10X-169	LED Light Switch	KCD-117	1
176	TS-1522021	Socket Set Screw	M5x8	1
177	JMS10X-171	Motor Cover		1
178	JMS10X-175	Trigger		1
179	JMS10X-174	Spring		2
180	JMS10X-173	Controller Assembly		1
181	TS-2285352	Pan Head Machine Screw	M5x35	2
182	JMS10X-181	Terminal		1
183	JMS10X-180	Trigger Switch WD01-1	18A, 127V, ~ 5E4	1

Index No	Part No	Description	Size	Qty
184	JMS10X-179	Spring		2
185	JMS12X-185	Self-Tapping Screw	ST2.9x9.5 mm	2
186	JMS10X-177	Button		2
187	JMS10X-176	Button		2
188	JMS12X-188	Lower Handle		1
189	JMS10X-182	Self-Tapping Screw	ST4.2x19 mm	2
190	TS-1541011	Hex Nut, Nylon Lock	M5	1
191	TS-1550031	Flat Washer	5 mm	1
192	JMS10X-186	Fixed Plate		1
193	JMS12X-193	Blade Guard		1
194	JMS10X-188	Pin		1
195	JMS10X-189	Screw		1
196	JMS10X-190	Spring		1
197	JMS10X-194	Inner Flange		1
198	JMS12X-198	Support Plate		1
199	PM2700-236	Carriage Bolt	M5x16	1
200	JMS10X-200	Screw		1
201	JMS12X-201	Saw Blade	12"x48Tx1" Arbor	1
202	JMS12X-202	Reducer	5/8" x1"x 0.11"	1
203	JMS10X-196	Outer Flange		1
204	JMS10X-198	Screw (LH Threads)	M8x20 Left	1
205	JMS12X-205	Spring		1
206	JMS10X-201	O Ring	Ø8xØ1.9 mm	1
207	JMS10X-202	Pin		2
208	JMS12X-208	Bevel Angle Scale		1
209	JMS12X-209	Hex Cap Screw	M10x50	1
210	JMS12X-200	Table Insert		2
211	JMS10X-205	Pointer		1
212	JMS12X-212	Table		1
213	JMS10X-208	Pin		1
214	JMS10X-170	Screw Cap		2
215	JMS10X-215	Light Cover		1
216	990805	Self-Tapping Screw	M4x10	1
217	2210-331	Self-Tapping Screw	M4x12	3
218	JMS12X-218	Washer		2
219	JMS10X-220	Sleeve		3
220	JMS12X-220	Shaft		1
221	TS-1522061	Socket Set Screw	M5x20	1
222	JMS10X-055	Stop Plate		1
223	JMS12X-223	Rear Cover		1
224	LM000394	ID Label, JMS-12X		1
225	LM000393	Warning Label, Laser		1
226	TS-152704	Hex Wrench	3 mm	1
301	JMS12X-301	Clamp Hold Down Assembly (#81~90,45,71)		1
302	JMS12X-302	Dust bag Assembly (#129,130,133)		1
303	JMS12X-303	LED Light Assembly (#149~152, 217)		1
304	JMS12X-304	Blade Guard Assembly (#190~200,123)		1
305	JMS12X-305	Carbon Brush Assembly (#163~165)		1
	LM000392	Warning Label, (not shown)		1