



Operating Instructions and Parts Manual

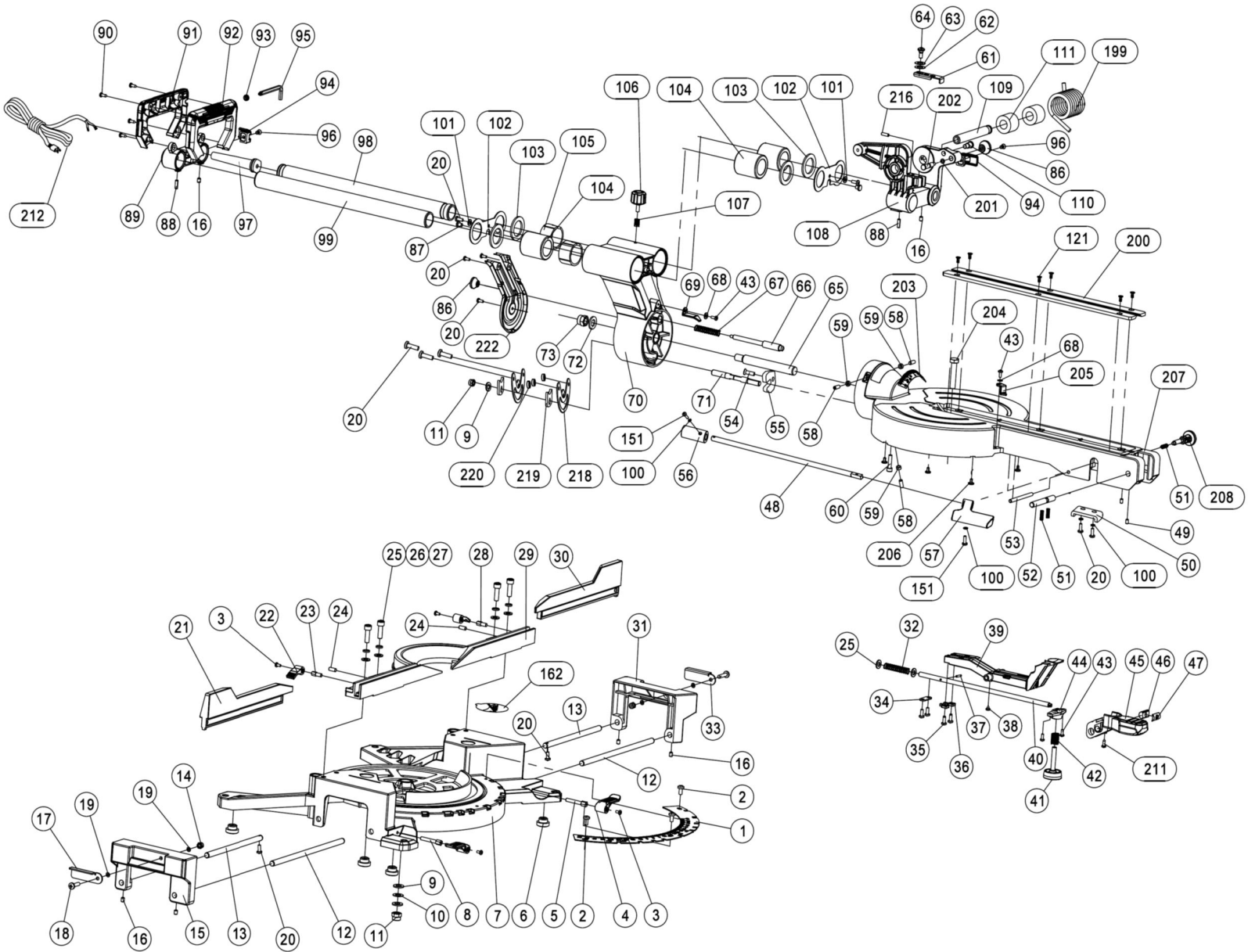
Sliding Dual-Bevel Compound Miter Saw

Model JMS-10X and JMS-12X

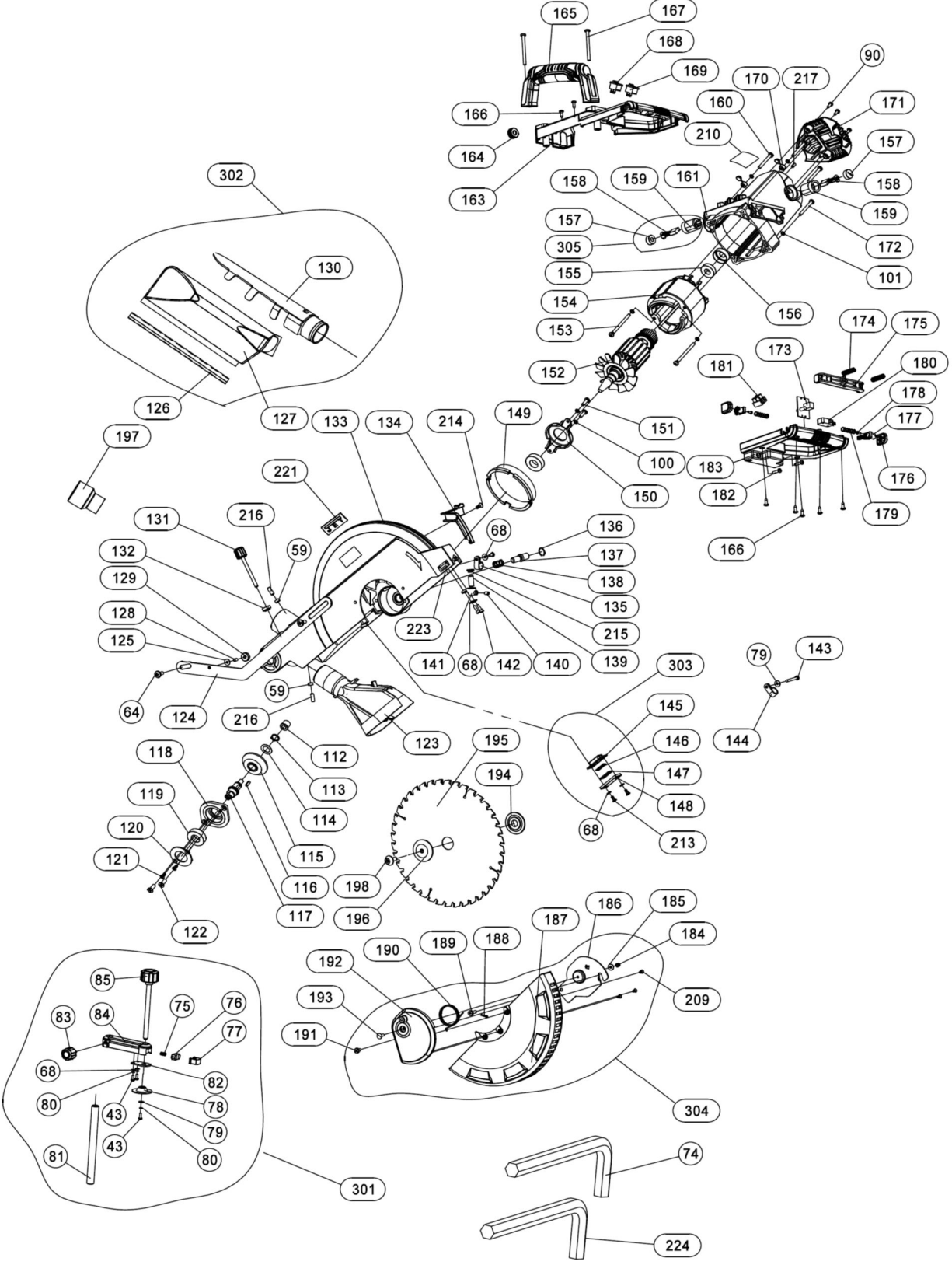


JET
427 New Sanford Road
LaVergne, Tennessee 37086
Ph.: 800-274-6848
www.jettools.com

Part No. M-707210
Edition 1 06/2019
Copyright © 2019 JET



13.1.2 JMS-10X (#707210) – Miter Saw Assembly – Exploded View II



13.1.3 JMS-10X (#707210) – Miter Saw Assembly – Parts List

Index No	Part No	Description	Size	Qty
001	JMS10X-001	Miter Angle Scale		1
002	TS-2245122	Socket Head Button Screw	M5x12	3
003	TS-2284082	Pan Head Machine Screw	M4x8	4
004	JMS10X-004	Lock Handle		2
005	JMS10X-005	Lock Bolt (RH Threads)		1
006	JMS10X-006	Foot		4
007	JMS10X-007	Base		1
008	JMS10X-008	Lock Bolt (LH Threads)		1
009	TS-1550071	Flat Washer	10 mm	4
010	JAT450-31	Wave Washer	10 mm	1
011	TS-2342101	Hex Nut, Nylon Lock	M10	2
012	JMS10X-012	Extension Rod (Long)		2
013	JMS10X-013	Extension Rod (Short)		2
014	TS-1541021	Hex Nut, Nylon Lock	M6	2
015	JMS10X-015	Left Worktable		1
016	TS-1523011	Socket Set Screw	M6x6	7
017	JMS10X-017	Left Stop Plate		1
018	TS-2286202	Pan Head Machine Screw	M6x20	2
019	TS-1550041	Flat Washer	6 mm	4
020	TS-1533042	Pan Head Machine Screw	M5x12	9
021	JMS10X-021	Fence Extension, Left		1
022	JMS10X-022	Lock Handle		2
023	JMS10X-023	Lock Bolt (RH threads)		1
024	TS-1523051	Socket Set Screw	M6x16	2
025	TS-1550061	Flat Washer	8 mm	6
026	TS-2361081	Lock Washer	8 mm	4
027	TS-1504051	Socket Head Cap Screw	M8x25	4
028	JMS10X-028	Lock Bolt (LH threads)		1
029	JMS10X-029	Fence		1
030	JMS10X-030	Fence Extension, Right		1
031	JMS10X-031	Right Worktable		2
032	JMS10X-032	Spring		1
033	JMS10X-033	Right Stop Plate		1
034	JMS10X-034	Plate		1
035	JMS10X-035	Self-Tapping Screw	ST4.8x13 mm	4
036	JMS10X-036	Fixed Block		1
037	F012097	Roll Pin	3x16 mm	1
038	JMS10X-038	Self-Tapping Screw	ST4x8	1
039	JMS10X-039	Fixed Block		1
040	JMS10X-040	Locking Rod		1
041	JMS10X-041	Adjustable Foot		1
042	JMS10X-042	Spring		1
043	TS-1532042	Pan Head Machine Screw	M4x12	8
044	JMS10X-044	Support		1
045	JMS10X-045	Lock Handle		1
046	JMS10X-046	Adjust Pin		1
047	JMS10X-047	Locking Block		1
048	JMS10X-048	Locking Rod		1
049	TS-1522021	Socket Set Screw	M5x8	3
050	JMS10X-050	Stop Plate		1
051	JMS10X-051	Spring		1
052	JMS10X-052	Lock Axis		1
053	JMS10X-053	Locating Axis		1
054	TS-1513041	Socket Head Flat Screw	M5x20	1
055	JMS10X-055	Stop Plate		1
056	JMS10X-056	Sleeve		1
057	JMS10X-057	Lock Handle		1
058	TS-1523061	Socket Set Screw	M6x20	3
059	JMS10X-059	Washer		5
060	TS-1503061	Socket Head Cap Screw	M6x25	1

Index No	Part No	Description	Size	Qty
061	JMS10X-061	Stop Plate		1
062	F011908	Wave Washer	8 mm	1
063	JMS10X-063	Flat Washer		1
064	JMS10X-064	Screw	M6	3
065	JMS10X-065	Shaft		1
066	JMS10X-066	Pin		1
067	JMS10X-067	Spring		1
068	TS-1550021	Flat Washer	4 mm	11
069	JMS10X-069	Pointer		1
070	JMS10X-070	Support Arm		1
071	JMS10X-071	Lock Shaft		1
072	TS-2360121	Flat Washer	12 mm	1
073	TS-2342121	Hex Nut, Nylon Lock	M12	1
074	JMS10X-074	Hex Wrench	2.5mm	1
075	JMS10X-075	Spring		1
076	JMS10X-076	Locking Block		1
077	JMS10X-077	Button		1
078	JMS10X-078	Plate		1
079	JMS10X-079	Washer	4mm	2
080	TS-2361041	Lock Washer	4mm	7
081	JMS10X-081	Post		1
082	JMS10X-082	Plate		1
083	JMS10X-083	Knob		1
084	JMS10X-084	Clamp Support		1
085	JMS10X-085	Handle		1
086	JMS10X-086	Knob		1
087	JMS10X-087	Washer		2
088	JMS10X-088	Pin	5x14 mm	2
089	JMS10X-089	Sleeve		1
090	JMS10X-090	Self-Tapping Screw	ST4.2x13	8
091	JMS10X-091	Handle Left		1
092	JMS10X-092	Handle Right		1
093	JMS10X-093	Grommet		1
094	JMS10X-094	Cord Holder		1
095	JMS10X-095	Hex Wrench with Cross Point	6mm	1
096	TS-1513011	Socket Head Flat Screw	M5x10	2
097	JMS10X-097	Protective Sleeve		1
098	JMS10X-098	Slide Bar, Right		1
099	JMS10X-099	Slide Bar, Left		1
100	TS-2361051	Lock Washer	5 mm	6
101	TS-1550031	Flat Washer	5 mm	8
102	JMS10X-102	Bearing Plate		2
103	JMS10X-103	Felt		4
104	JMS10X-104	Bearing	LM254035	4
105	JMS10X-105	Bearing Sleeve		2
106	JMS10X-106	Knob		1
107	JMS10X-107	Spring		1
108	JMS10X-108	Support		1
109	JMS10X-109	Shaft		1
110	JMS10X-110	Screw		1
111	JMS10X-111	Sleeve		2
112	JMS10X-112	Bearing		1
113	F006042	C-Retaining Ring, Ext	14 mm	1
114	JMS10X-114	Washer		1
115	JMS10X-115	Gear		1
116	K-4412	Key, Dbl Rd Hd	4x4x12 mm	1
117	JMS10X-117	Arbor		1
118	JMS10X-118	Gear Cover		1
119	BB-6003ZZ	Bearing	6003-2RS	2
120	JMS10X-120	Plate		1
121	TS-1512011	Socket Head Flat Screw	M4x10	8

Index No	Part No	Description	Size	Qty
122	TS-1514021	Socket Head Flat Screw	M6x16	2
123	JMS10X-123	Dust Exhaust		1
124	JMS10X-124	Linkage Bar		1
125	JMS10X-125	Washer	6 mm	1
126	JMS10X-126	Clip		1
127	JMS10X-127	Dust Bag		1
128	JMS10X-128	Pin		1
129	JMS10X-129	Bearing	606-2RS	1
130	JMS10X-130	Plastic Frame		1
131	JMS10X-131	Knob		1
132	JMS10X-132	Nut		1
133	JMS10X-133	Saw Body		1
134	JMS10X-134	Support Piece		1
135	JMS10X-135	Cable Clip		1
136	JMS10X-136	Retaining Ring	Ø10.5 x 1	1
137	JMS10X-137	Pin		1
138	JMS10X-138	Spring		1
139	JMS10X-139	Laser Unit		2
140	TS-1523011	Socket Set Screw	M6x6	1
141	JMS10X-141	Laser Seat		1
142	TS-1501041	Socket Head Cap Screw	M4x12	2
143	JMS10X-143	Self-Tapping Screw	ST4.2x40 mm	1
144	JMS10X-144	Cable Clip		1
145	JMS10X-145	Light Box		1
146	JMS10X-146	LED Light		1
147	JMS10X-147	Seal		1
148	JMS10X-148	Lens		1
149	JMS10X-149	Deflector		1
150	JMS10X-150	Motor Plate		1
151	F001232	Pan Head Machine Screw	M5x16	2
152	JMS10X-152	Armature		1
153	F001231	Pan Head Machine Screw	M5-0.8x70	2
154	JMS10X-154	Stator		1
155	BB-6001ZZ	Ball Bearing	6001-2RS	1
156	JMS10X-156	Damping Ring		1
157	JMS10X-157	Cap		2
158	JMS10X-158	Carbon Brush		2
159	JMS10X-159	Brush Holder		2
160	F001232	Pan Head Machine Screw	M5-0.8x45	2
161	JMS10X-161	Motor Housing		1
162	JMS10X-162	Warning Label (Hands Clear Symbol)		2
163	JMS10X-163	Upper Handle		1
164	JMS10X-164	Grommet		1
165	JMS10X-165	Handle		1
166	JDP17-090	Self-Tapping Screw	ST4.2x16 mm	8
167	F001233	Pan Head Machine Screw	M5-0.8x60	2
168	JMS10X-168	Laser Switch	KCD-117	1
169	JMS10X-169	LED Light Switch	KCD-117	1
170	JMS10X-170	Screw Cap		2
171	JMS10X-171	Motor Cover		1
172	TS-2285352	Pan Head Machine Screw	M5x35	2
173	JMS10X-173	Controller Assembly		1
174	JMS10X-174	Spring		2
175	JMS10X-175	Trigger		1
176	JMS10X-176	Button		2
177	JMS10X-177	Button		2
178	JMS10X-178	Self-Tapping Screw	ST2.9x9.5	2
179	JMS10X-179	Spring		2
180	JMS10X-180	Trigger Switch WD01-1	18A, 127V, ~ 5E4	1
181	JMS10X-181	Terminal		1
182	JMS10X-182	Self-Tapping Screw	ST4.2x19 mm	2
183	JMS10X-183	Lower Handle		1

Index No	Part No	Description	Size	Qty
184	TS-1541011	Hex Nut, Nylon Lock	M5	1
185	TS-1550031	Flat Washer	5 mm	1
186	JMS10X-186	Fixed Plate		1
187	JMS10X-187	Blade Guard		1
188	JMS10X-188	Pin		1
189	JMS10X-189	Screw		1
190	JMS10X-190	Spring		1
191	JMS10X-191	Screw		1
192	JMS10X-192	Support Plate		1
193	PM2700-236	Carriage Bolt	M5x16	1
194	JMS10X-194	Inner Flange		1
195	JMS10X-195	Blade	10"x40Tx5/8" Arbor	1
196	JMS10X-196	Outer Flange		1
197	JMS10X-197	Adaptor		1
198	JMS10X-198	Screw (LH Threads)	M8x20 Left	1
199	JMS10X-199	Spring		1
200	JMS10X-200	Table Insert		2
201	JMS10X-201	O-Ring		1
202	JMS10X-202	Pin		2
203	JMS10X-203	Bevel Angle Scale		1
204	CL1640ZX-0153	Hex Cap Screw	M10x55	1
205	JMS10X-205	Pointer		1
206	JMS10X-206	Washer		4
207	JMS10X-207	Table		1
208	JMS10X-208	Pin		1
209	TS-1512011	Socket Head Flat Screw	M4x10	3
210	LM000391	ID Label, JMS-10X		1
211	JDR34-026	Self-Tapping Screw	ST4.2x9.5 mm	1
212	JMS10X-212	Power Cord	14AWG	1
213	2210-331	Self-Tapping Screw	M4x12	3
214	990805	Self-Tapping Screw	M4x10	1
215	JMS10X-215	Light Cover		1
216	TS-1523051	Socket Set Screw	M6x16	3
217	TS-1522021	Socket Set Screw	M5x8	1
218	JMS10X-218	Friction Pad		2
219	JMS10X-219	Washer		2
220	JMS10X-220	Sleeve		3
221	JET-92	JET Logo	92x38 mm	1
222	JMS10X-222	Rear Cover		1
223	LM000393	Warning Label, Laser		1
224	TS-152704	Hex Wrench	3 mm	1
301	JMS10X-301	Clamp Hold Down Assembly (#75~85,43,68)		1
302	JMS10X-302	Dust bag Assembly (#126,127,130)		1
303	JMS10X-303	LED Light Assembly (#145~148,213,68)		1
304	JMS10X-304	Blade Guard Assembly (#184~193, 209)		1
305	JMS10X-305	Carbon Brush Assembly (#157~159)		1
	LM000392	Warning Label, (not shown)		1