

Parts

Ordering Replacement Parts

To order parts or reach our service department, call 1-800-274-6848, Monday through Friday (see our website for business hours). Having the Model Number and Serial Number of your machine available when you call will allow us to serve you quickly and accurately.

Table Saw

Note: Parts without part numbers are for reference only and cannot be purchased individually.

Index No.	Part No.	Description	Size	Qty
1	JBTS10MJS-1	Bushing		1
2	JBTS10MJS-2	Cable Clamp		1
3	JBTS10MJS-3	Slide Plate		2
4		Cushion Block		4
5	JBTS10MJS-5	Cord Clamp		1
6	JBTS10MJS-6	Bracket		1
7	JBTS10MJS-7	Spacer		1
8	JBTS10MJS-8	Bracket		1
9	JBTS10MJS-9	Dust Housing Cover		1
10	JBTS10MJS-10	Strap		3
11	JBTS10MJS-11	Washer		2
12	JBTS10MJS-12	Push Stick Holder		1
13	JBTS10MJS-13	Wrench		1
14	JBTS10MJS-14	Compression Spring		1
15		Compression Spring		1
16		Pin		1
17		Screw		1
18	JBTS10MJS-18	Warning Label		1
19	JBTS10MJS-19	Bevel Gear		1
20	JBTS10MJS-20	Bushing		3
21	JBTS10MJS-21	Strap		1
22	JBTS10MJS-22	Strap		4
23	JBTS10MJS-23	Collar		1
24	JBTS10MJS-24	Collar		1
25	JBTS10MJS-25	Arbor Nut		1
26	JBTS10MJS-26	Arbor Collar		1
27	JBTS10MJS-27	Stop		4
28	JBTS10MJS-28	Slide Base, Left		1
29	JBTS10MJS-29	Foam Strip		2
30	JBTS10MJS-30	Bevel Gear		1
31	TS-152705	Hex Wrench	M4	1
32	TS-152706	Hex Wrench	M5	1
33	TS-1550031	Flat Washer	M5	4
34	TS-1550041	Flat Washer	M6	3
35	TS-1550061	Flat Washer	M8	4
36	TS-2360121	Flat Washer	M12	1
37		Flat Washer	Ø6x18x1.5	1
38	JBTS10MJS-38	Flat Washer	Ø8.2x18x2	2
39	JBTS10MJS-39	Flat Washer	Ø6x30x2	2
40	JBTS10MJS-40	Flat Washer	3/16x3/4x1/16	4
41	JBTS10MJS-41	Pan Head Tapping Screw	M5-16x12	1
42	JMS10SCMS-33	Flat Washer	1/4x1/2x3/32	2
43	JBTS10MJS-43	Label: Reset		1
44	JBTS10MJS-44	Flat Washer	3/8x3/4x5/64	2
45		Flat Washer	1/4	1
46	TS-2361061	Lock Washer	M6	1
47	JMS10SCMS-36	External Tooth Lock Washer	M5	1

Table Saw

Index No.	Part No.	Description	Size	Qty
48		Spring Pin	Ø4x10	2
49	JBTS10MJS-49	Hex Head Bolt	M6x70	1
50		Socket Head Cap Screw	M6x30	1
51	TS-1523011	Socket Set Screw	M6x6	6
52		Socket Set Screw	M6x10	1
53	TS-1514041	Flat Head Socket Screw	M6x25	4
54	JBTS10MJS-54	Soc Hd Cap Screw with Lock Washer	M6x16	2
55		Soc Hd Cap Screw with Lock and Flat Washers	M5x16	2
56	TS-1503041	Socket Head Cap Screw	M6x16	4
57	TS-1503041	Socket Head Cap Screw	M6x16	4
58	JMS10CMS-149	Pan Head Screw with Lock Washer	M5x10	1
59	JBTS10MJS-59	Pan Head Screw w/ Ext. Tooth Lock Washer	M5x12	1
60		Flat Head Screw	M4x8	2
61	JBTS10MJS-61	Pan Head Tapping Screw	M4-18x8	2
62		Truss Head Screw	M5x8	2
63	JMS12SCMS-81	Round Washer Head Screw	M5x8	3
64	JBTS10MJS-64	Round Washer Head Screw	M6x12	6
65	JBTS10MJS-65	Truss Head Tapping Screw	M4-16x12	2
66	JBTS10MJS-66	Pan Head Tapping Screw	M4-18x20	7
67		Truss Head Tapping Screw	M5-12x16	2
68		Truss Head Tapping Screw	M5-12x12	2
69	JBTS10MJS-69	Screw	M5x25	4
70	JBTS10MJS-70	Pan Head Tapping Screw	M3-24x6	2
71	JBTS10MJS-71	Pan Head Tapping Screw	M4-18x8	8
72	JBTS10MJS-72	Pan Head Tapping Screw	M4-16x16	2
73	JBTS10MJS-73	Pan Washer Head Screw	M5x10	5
74		Pan Head Tapping Screw	M4-18x10	4
75	JBTS10MJS-75	Round Washer Head Screw	M5x10	9
76	JBTS10MJS-76	Round Washer Head Screw	M5x12	8
77	JBTS10MJS-77	Round Washer Head Screw	M5x16	4
78	JBTS10MJS-78	Strain Relief		2
79	TS-1533042	Pan Head Screw	M5x12	3
80	TS-1533062	Pan Head Screw	M5x20	1
81	JWBS10OS-110	Carriage Bolt	M6x16	2
82	PWBS14-323	Carriage Bolt	M8x16	1
83	JBTS10MJS-83	Carriage Bolt	M6x60	1
84	JBTS10MJS-84	Slide Base Assembly, Left		1
85	TS-1540041	Hex Nut	M6	4
86		Hex Nut	M10	1
87	TS-1540061	Hex Nut	M8	1
88	TS-1540041	Hex Nut	M6	2
89	JBTS10MJS-89	Crown Nut	M6	1
90		Nylon Insert Lock Nut	M4	1
91	TS-1541011	Nylon Insert Lock Nut	M5	3
92	TS-1541021	Nylon Insert Lock Nut	M6	5
93	TS-1541031	Nylon Insert Lock Nut	M8	4
94	JBTS10MJS-94	Serrated Hex Flange Nut	M6	8
95		Strain Relief		1
96	JBTS10MJS-96	Terminal		1
97	JBTS10MJS-97	Lead Wire Assembly		1
98	JMS12SCMS-111	Locking Cable Tie		1
99	JBTS10MJS-99	Circuit Breaker Switch		1
100		Steel Ball	5mm	1
101	JBTS10MJS-101	Rear Extension Rubber Pad		1
102	JBTS10MJS-102	Dust Chute		1
103	JBTS10MJS-103	Lead Screw		1
104	JBTS10MJS-104	Rear Outfeed Extension Wing		1

Table Saw

Index No.	Part No.	Description	Size	Qty
105	JBTS10MJS-105	End Cap		1
106	JBTS10MJS-106	Front Rail Mount		1
107	JBTS10MJS-107	Plate		2
108	JBTS10MJS-108	End Cap		1
109	JBTS10MJS-109	Shaft		1
110	JBTS10MJS-110	Pin		1
111	JBTS10MJS-111	Handle		1
112	JBTS10MJS-112	Anchor Plate		2
113	JBTS10MJS-113	Stud		1
114	JBTS10MJS-114	Rod		1
115	JBTS10MJS-115	Protective Strip		1
116	JBTS10MJS-116	Rear Rail End Cover		2
117	JBTS10MJS-117	Bushing		2
118	JBTS10MJS-118	Pin	3x14	2
119	TS-1502011	Socket Head Cap Screw	M5x8	4
120	TS-1503071	Socket Head Cap Screw	M6x30	2
121		Locking Rod		1
122		Stop Bracket		1
123		Support		1
124		Pin		1
125		Pin		2
126		Bracket		2
127		Screw		1
128		Fence Body		1
129		Plate		1
130		Pointer		1
131		Sleeve		1
132		Lock Knob		1
133		Truss Head Round Neck Screw	M5x16	2
134		Cushion		1
135	JMS10SCMS-192	Blade	10"x5/8"x40T	1
136	JBTS10MJS-136	Locking Handle		1
137		Compression Spring		1
138	JBTS10MJS-138	Spacer		4
139	JBTS10MJS-139	Switch Safety Key		1
140	JBTS10MJS-140	Bracket		1
141		Flat Washer	M4	5
142		Miter Gauge Body		1
143		Flat Washer	Ø6x18x0.5	1
144	JBTS10MJS-144	Front Rail		1
145	JBTS10MJS-145	Pan Head Screw with Lock Washer	M5x16	4
146	JBTS10MJS-146	Knob Seat		1
147	JBTS10MJS-147	Scale Housing		1
148	JBTS10MJS-148	Rear Rail Mount		1
149	JBTS10MJS-149	Pointer		1
150	JBTS10MJS-150	Scale Assembly		1
151	JBTS10MJS-151	Pointer		1
152	JBTS10MJS-152	Warning Label		2
153	JBTS10MJS-153	Label: Blade Storage		1
154	JBTS10MJS-154	Scale Hold Down		1
155		Clamp		1
156	JBTS10MJS-156	Rear Rail		1
157		Support Assembly		1
158		Pin		1
159		PVC Tubing		1
160		Fence Handle		1
161	JBTS10MJS-161	Switch Box		1

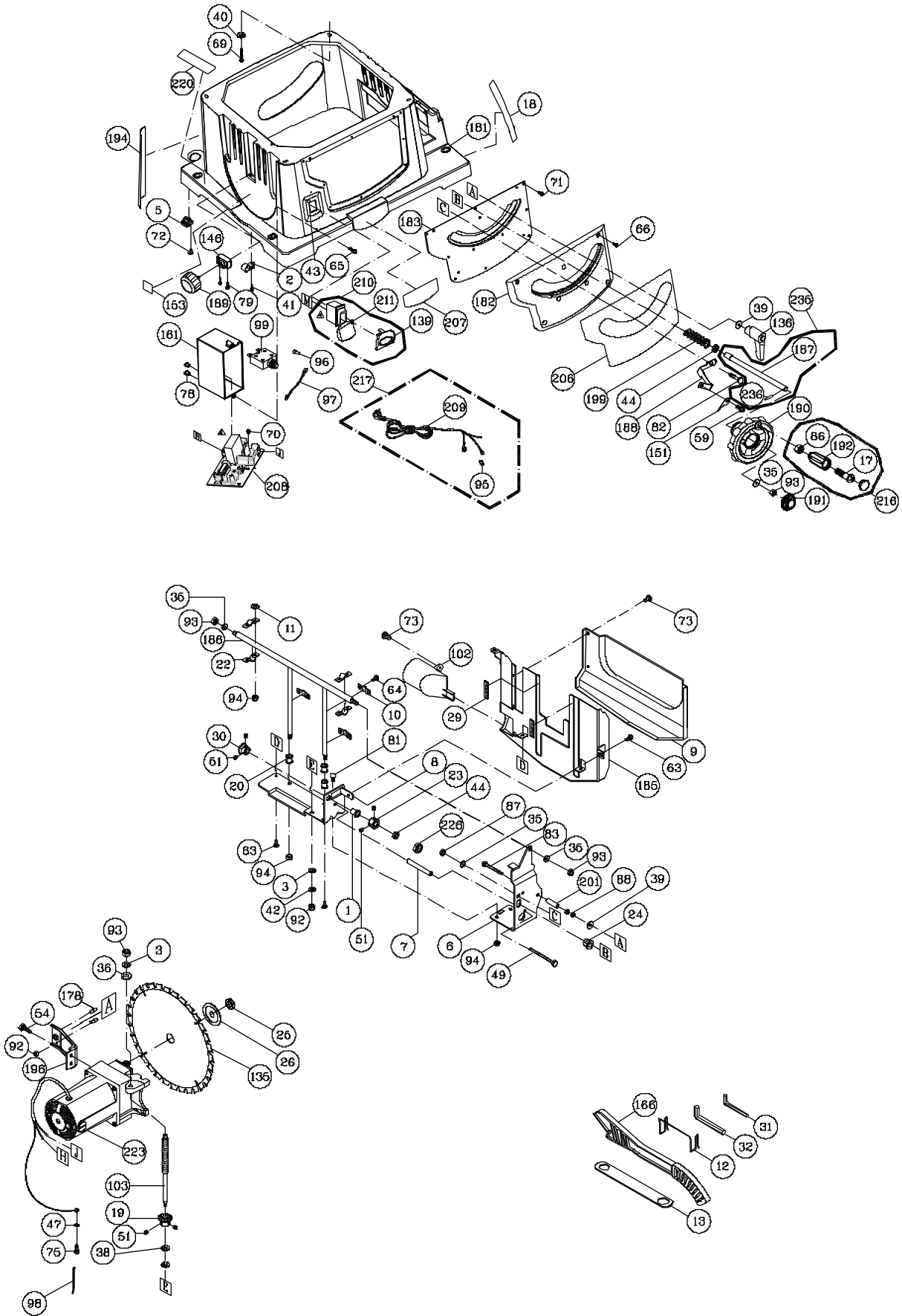
Table Saw

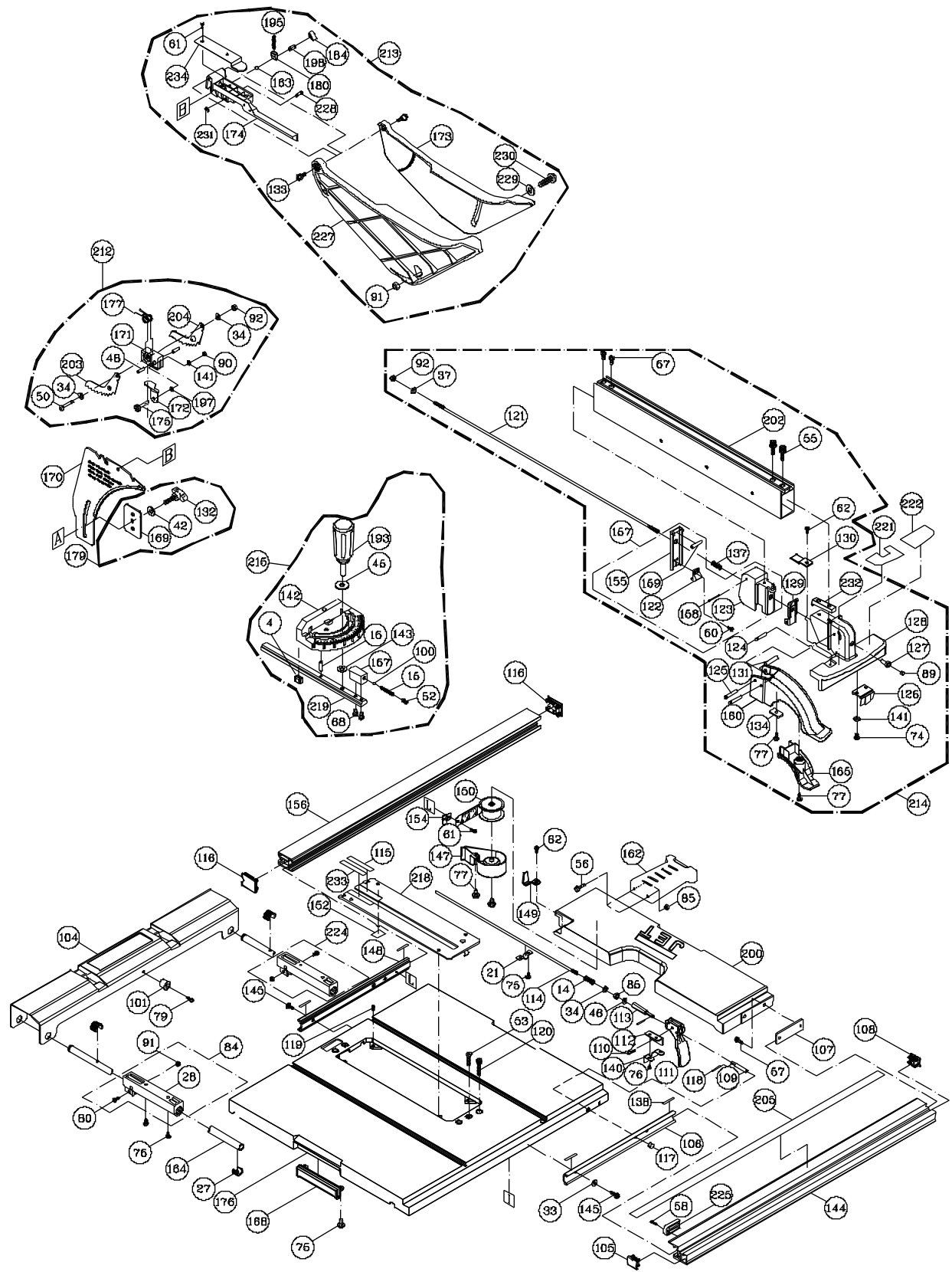
Index No.	Part No.	Description	Size	Qty
162	JBTS10MJS-162	Support Leg		2
163		Steel Ball	6mm	1
164	JBTS10MJS-164	Extension Tube		2
165		Fence Handle Cover		1
166	JBTS10MJS-166	Push Stick		1
167		Miter Angle Pointer		1
168	JBTS10MJS-168	Grip		3
169		Lock Plate		1
170	JBTS10MJS-170	Riving Knife/Splitter		1
171		Pawl Block		1
172		Clamping Handle		1
173		Blade Guard, Right Side		1
174		Blade Guard Release Housing		1
175		Special Screw		1
176	JBTS10MJS-176	Table		1
177		Spring		1
178	JBTS10MJS-178	Pin		2
179	JBTS10MJS-179	Hardware Bag (Lock Knob, Washer, Lock Plate)		1
180		Bracket Stop		1
181	JBTS10MJS-181	Saw Body		1
182	JBTS10MJS-182	Front Panel		1
183	JBTS10MJS-183	Retaining Plate		1
184		Release Knob		1
185	JBTS10MJS-185	Blade Dust Housing		1
186	JBTS10MJS-186	Support		1
187		Shaft		1
188	JBTS10MJS-188	Pointer Bracket		1
189	JBTS10MJS-189	Knob		1
190	JBTS10MJS-190	Hand Wheel		1
191	JBTS10MJS-191	Hand Wheel Cover		1
192		Handle		1
193		Miter Gauge Handle		1
194	JBTS10MJS-194	Saw Body Side Sticker		4
195		Compression Spring		1
196	JBTS10MJS-196	Riving Knife/Splitter Bracket		1
197		Flat Washer	Ø6x13x0.5	1
198		Pin		1
199	JBTS10MJS-199	Compression Spring		1
200	JBTS10MJS-200	Extension Wing		1
201	JBTS10MJS-201	Spacer		1
202		Fence		1
203		Anti-Kickback Pawl, Left		1
204		Anti-Kickback Pawl, Right		1
205	JBTS10MJS-205	Scale		1
206	JBTS10MJS-206	Label: Front Panel ID		1
207	JBTS10MJS-207	JET Label		1
208	JBTS10MJS-208	Controller Assembly		1
209		Power Cord		1
210	JBTS10MJS-210	Complete Switch with Safety Key		1
211		Switch		1
212	JBTS10MJS-212	Anti-Kickback Pawl Assembly		1
213	JBTS10MJS-213	Blade Guard Assembly		1
214	JBTS10MJS-214	Fence Assembly, Complete		1
215	JBTS10MJS-215	Miter Gauge		1
216	JBTS10MJS-216	Hand Wheel Handle Assembly		1
217	JBTS10MJS-217	Power Cord Assembly		1
218	JBTS10MJS-218	Table Insert		1

Table Saw

Index No.	Part No.	Description	Size	Qty
219		Miter Bar		1
220	JBTS10MJS-220	Label: Stand Set-Up/Storage & Warning		1
221		Fence Label: Direction Arrows		1
222		Fence Label: JET		1
223	JBTS10MJS-223	Motor		1
	JBTS10MJS-223MB	Motor Brush (not shown)		2
	JBTS10MJS-223MBC	Motor Brush Cover (not shown)		2
224	JBTS10MJS-224	Slide Base Assembly, Right		1
225	JBTS10MJS-225	Stop		1
226	JBTS10MJS-226	Hex Nut	9/16-18UNF	1
227		Blade Guard, Left Side		1
228		Location Pin		1
229		Washer	Ø5x16x2	1
230		Truss Head Round Neck Screw	M5x20	1
231		E-Clip	E-3	1
232		Cover		1
233	JBTS10MJS-233	Protective Strip		1
234		Cover Plate		1
235	JBTS10MJS-235	Shaft Assembly		1
236		Spring Pin	Ø3x18	1

Table Saw



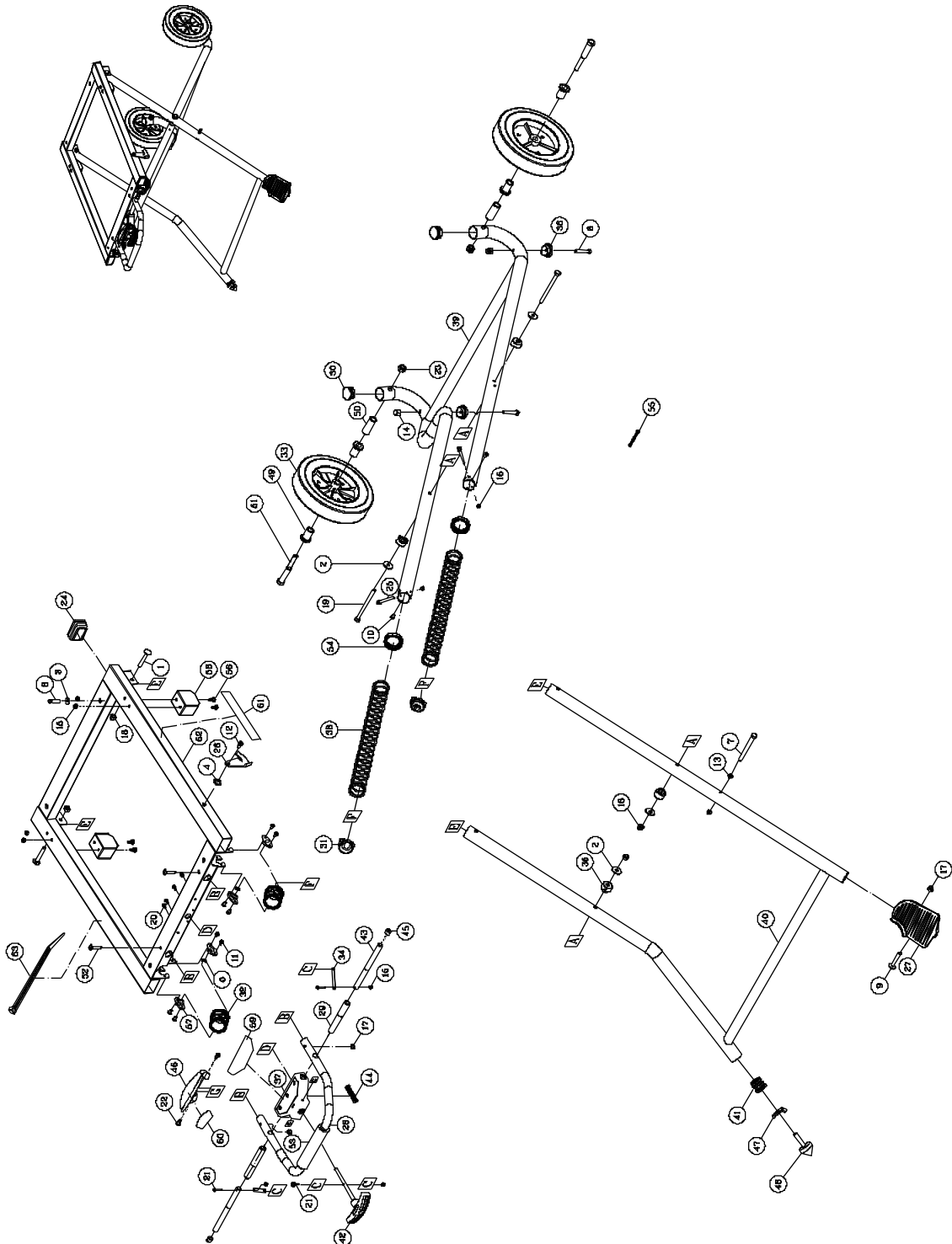


Mobile Stand

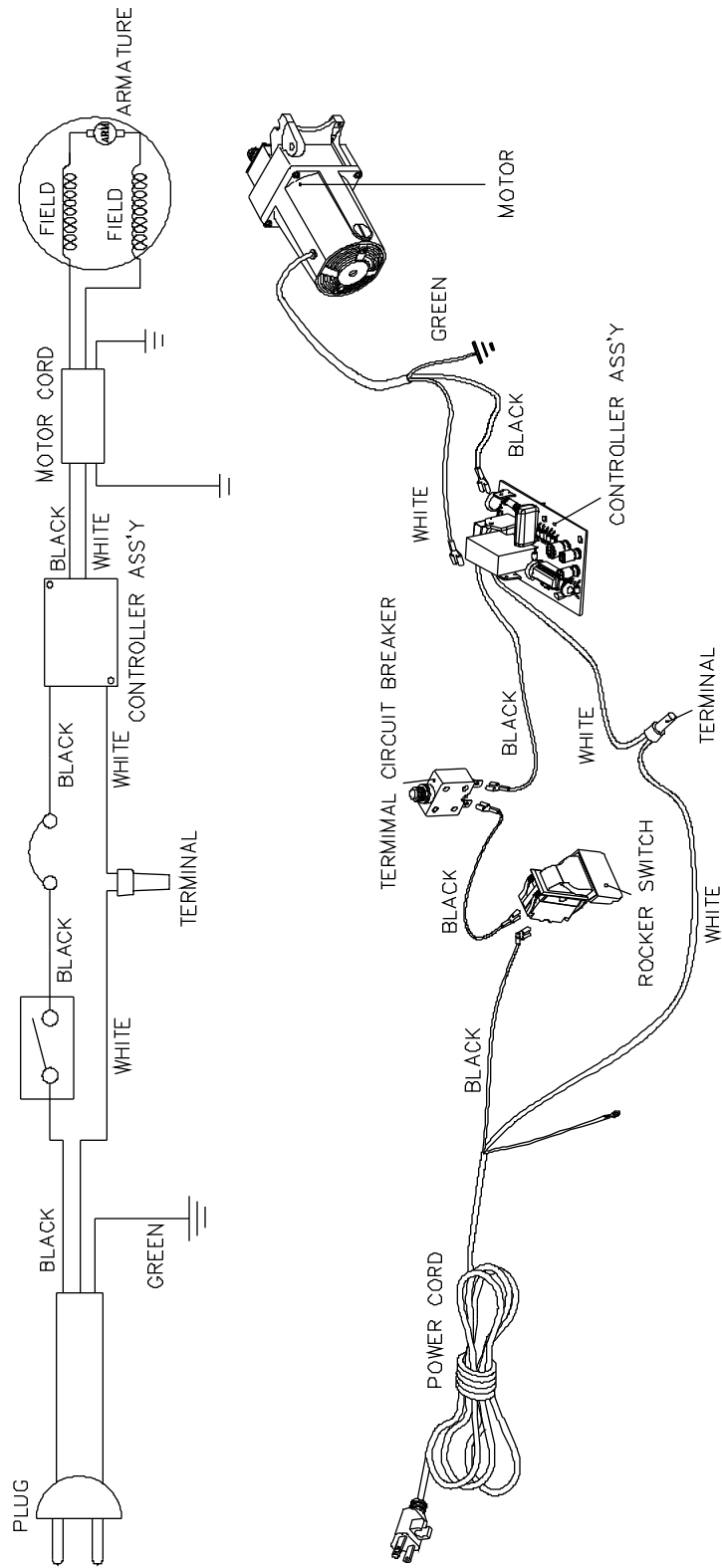
Index No.	Part No.	Description	Size	Qty
1	JBTS10MJS-601	Carriage Bolt	M8x50	2
2	JBTS10MJS-602	Washer	Ø8.4x24x2	4
3	JBTS10MJS-44	Flat Washer	3/8x3/4x5/64	4
4	JBTS10MJS-604	Wave Washer	WW-6	1
5	JBTS10MJS-605	Wave Washer	WW-12	2
6	TS-1482081	Hex Cap Screw	M6x40	2
7	JBTS10MJS-607	Bolt	M6x50	1
8	JWBS18-108	Hex Cap Screw	M8x65	4
9	JBTS10MJS-609	Truss Head Screw	M6x45	1
10	JBTS10MJS-610	Truss Head Tapping Screw	M5-12x12	2
11	JMS10SCMS-72	Pan Head Screw	M5x8	8
12	JBTS10MJS-612	Pan Head Round Neck Screw	M5x10	1
13	TS-1540041	Hex Nut	M6	2
14	JBTS10MJS-89	Crown Nut	M6	2
15	TS-1541001	Nylon Insert Lock Nut	M4	7
16	TS-1541011	Nylon Insert Lock Nut	M5	2
17	TS-1541021	Nylon Insert Lock Nut	M6	3
18	TS-1541031	Nylon Insert Lock Nut	M8	4
19	JEB-137	Hex Cap Screw	M8x100	2
20	JBTS10MJS-620	Pan Head Screw	M4x60	4
21	TS-1501071	Socket Head Cap Screw	M4x25	3
22	JBTS10MJS-622	Pan Head Round Neck Screw	M5x12	2
23	TS-1541041	Nylon Insert Lock Nut	M10	2
24	JBTS10MJS-624	End Cap		4
25	JMS10SCMS-147	SHCS with Lock Washer & Flat Washer	M5x40	2
26	JBTS10MJS-626	Latch Hook		1
27	JBTS10MJS-627	Foot Pedal		1
28	JBTS10MJS-628	Stand Handle		1
29	JBTS10MJS-629	Center Shaft		2
30	JBTS10MJS-630	End Plug		2
31	JBTS10MJS-631	End Cap		2
32	JBTS10MJS-632	Collar		2
33	JBTS10MJS-633	Wheel	8"	2
34	JBTS10MJS-634	Link		2
35	JBTS10MJS-635	Collar		4
36	JBTS10MJS-636	Foot Pad		2
37	JBTS10MJS-637	Handle Base		1
38	JBTS10MJS-638	Spring		2
39	JBTS10MJS-639	Rear Frame Assembly		1
40	JBTS10MJS-640	Front Frame Assembly		1
41	JBTS10MJS-641	End Plug		1
42	JBTS10MJS-642	Release Handle		1
43	JBTS10MJS-643	Rod		2
44	JBTS10MJS-644	Spring		1
45	JBTS10MJS-645	Button		2
46	JBTS10MJS-646	Handle Cover		1
47	JBTS10MJS-647	Wing Nut		1
48	JBTS10MJS-648	Leveling Foot Pad		1
49	JBTS10MJS-649	Bushing		4
50	JBTS10MJS-650	Sleeve		2
51	TS-1491151	Hex Cap Screw	M10x90	2
52	TS-2286402	Pan Head Screw	M6x40	2
53	JBTS10MJS-653	Handle Grip		1
54	JBTS10MJS-654	Collar		2
55	JBTS10MJS-655	Truss Head Tapping Screw	M6-14x60	2
56	TS-2284252	Pan Head Screw	M4x25	4
57	JBTS10MJS-657	Bushing		4

Mobile Stand

Index No.	Part No.	Description	Size	Qty
58	JBTS10MJS-658	Bumper		2
59	JBTS10MJS-659	Caution Label		1
60	JBTS10MJS-660	Warning Label		1
61	JBTS10MJS-661	Warning Label		1
62	JBTS10MJS-662	Stand Top		1
63	JBTS10MJS-663	Locking Cable Tie		2



Wiring Diagram



WALTER MEIER (Manufacturing) Inc.

427 New Sanford Road
LaVergne, Tennessee 37086
Phone: 800-274-6848
www.waltermeier.com