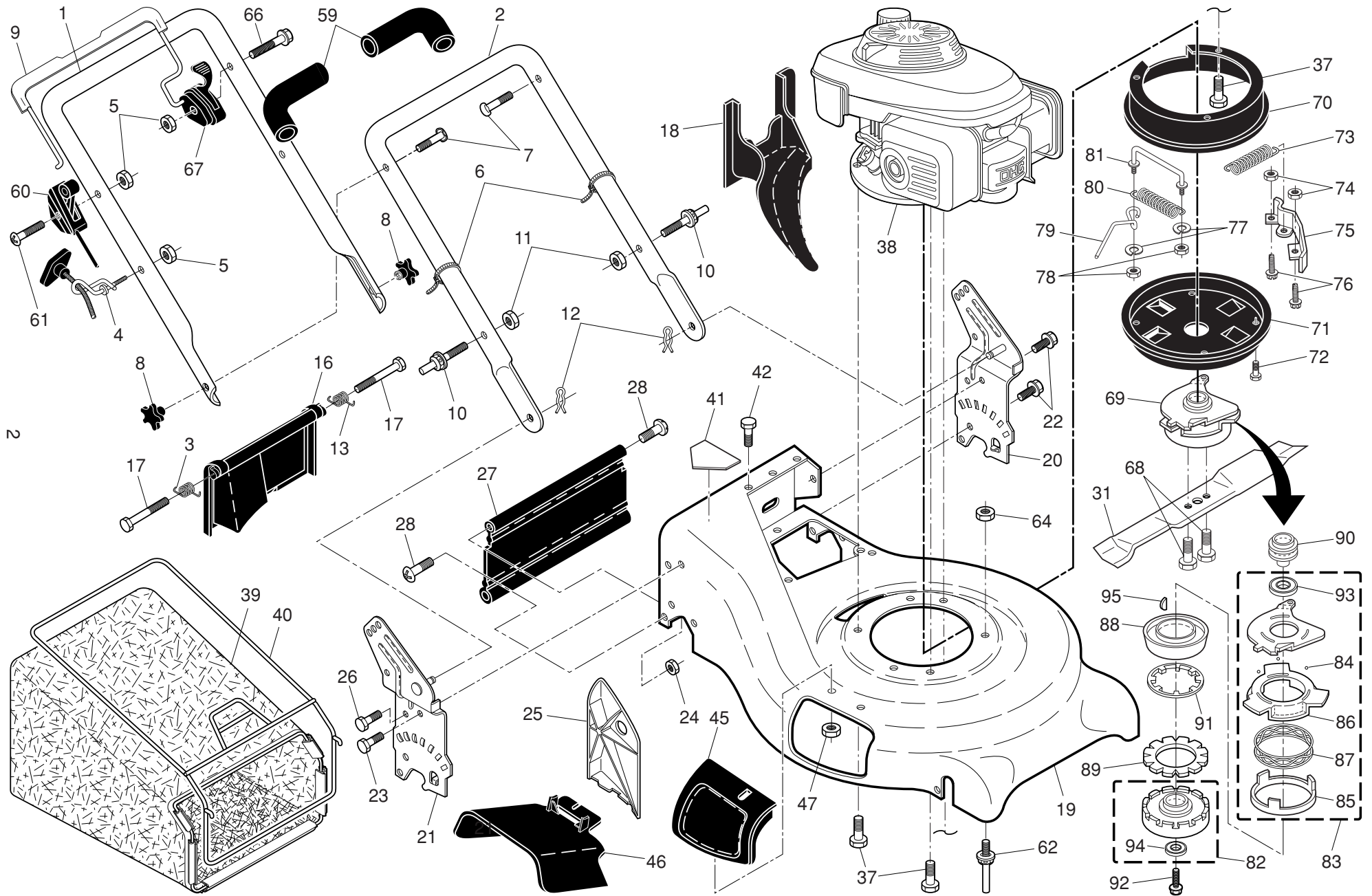


ROTARY LAWN MOWER - - MODEL NO. 7021RB (MFG. ID. NO. 96143005500) PRODUCT NO. 961 43 00-55

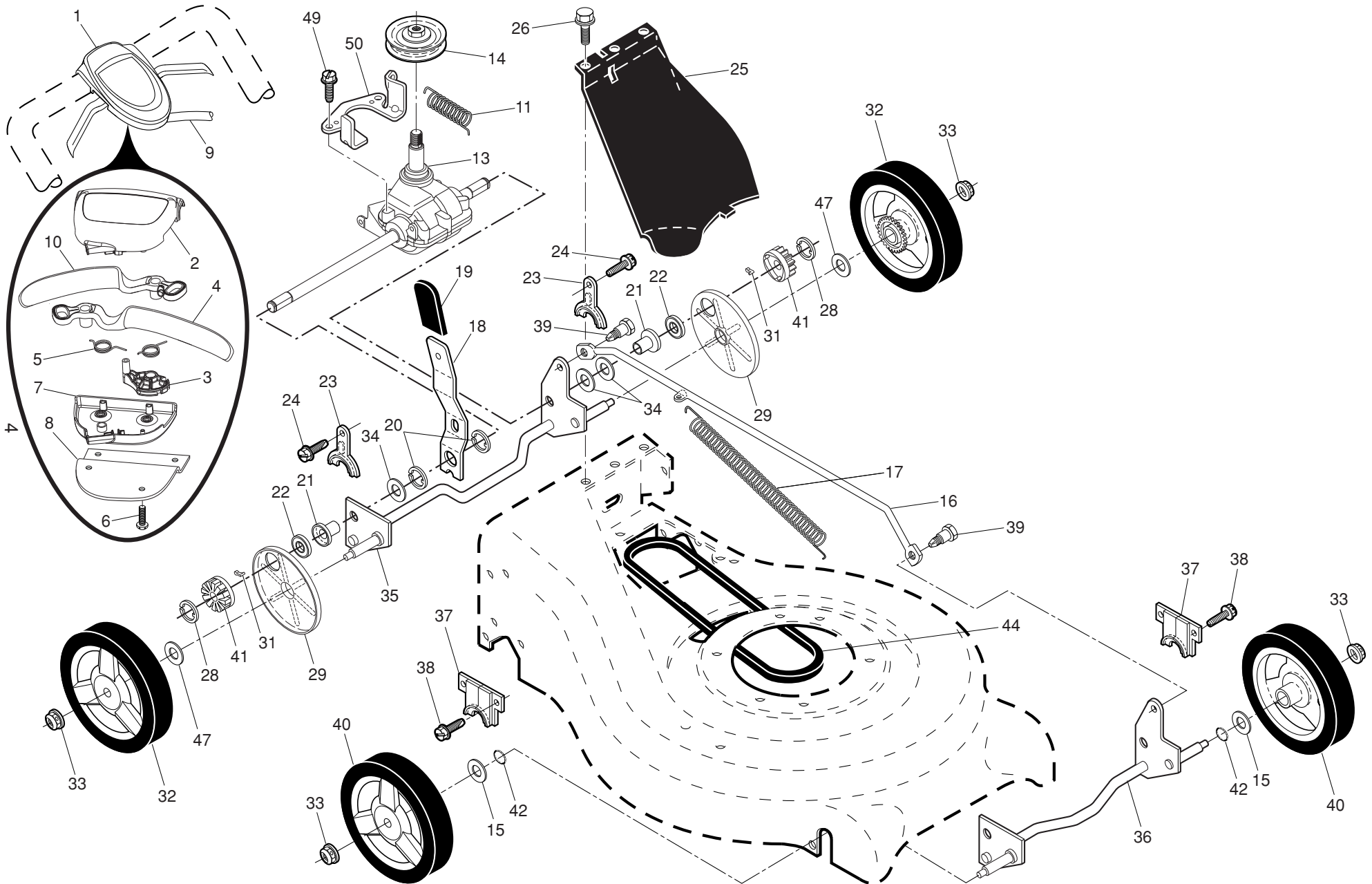


ROTARY LAWN MOWER - - MODEL NO. 7021RB (MFG. ID. NO. 96143005500) PRODUCT NO. 961 43 00-55

KEY NO.	PART NO.	DESCRIPTION	KEY NO.	PART NO.	DESCRIPTION
1	532 18 62-96	Handle, Upper (Includes Foam Grip)	59	532 18 27-48	Grip, Handle, Foam, Smooth (one side)
2	532 19 72-02	Handle, Lower	60	532 19 08-78	Throttle / Engine Control
3	532 40 54-16	Spring, Rear Door, RH	61	532 18 33-65	Screw, Hex Head 1/4-20 x 2-1/8
4	532 19 47-88	Guide, Rope, Side	62	532 18 21-31	Belt Guide, Stud
5	532 13 20-04	Nut, Hex Lockwasher Insert 1/4-20	64	532 19 70-33	Nut, Hex 3/8-16
6	532 06 64-26	Wire, Tie	66	532 18 99-37	Screw, Hex Washer Head 1/4-20 x 1/2
7	532 19 15-74	Bolt, Handle 5/16-18 x 1.75	67	532 19 65-41	Blade Brake / Clutch Control
8	532 18 23-98	Knob, Handle	68	532 18 04-60	Bolt, Hex Head
9	532 42 68-13	Bar, Control, Auto-Walk	69	- - -	Blade Brake / Clutch (Includes Key Numbers 82-95)
10	532 18 88-21	Bolt, Carriage	70	532 19 09-30	Belt Cover, Upper
11	532 75 11-53	Nut, Hex, Centerlock 5/16-18 UNC	71	532 18 01-91	Belt Cover, Lower
12	532 05 17-93	Cotter, Hairpin	72	532 75 00-97	Screw, Tapping, Hex Washer Head #10-24
13	532 40 54-15	Spring, Rear Door, LH	73	532 18 03-93	Spring
16	532 40 88-88	Rear Door Assembly	74	873 90 04-00	Nut, Hex, Centerlock, Zinc Plated 1/4-20
17	532 18 41-93	Bolt, Rear Door	75	532 19 09-29	Bracket
18	532 19 81-70	Plug, Mulcher	76	874 78 04-10	Bolt, Hex Cap Head 1/4-20 x 5/8
19	532 41 08-71	Kit, Housing	77	532 05 39-98	Washer, Flat
20	532 41 82-39	Handle Bracket Assembly, LH	78	873 51 06-00	Nut, Hex 3/8-16
21	532 41 82-51	Handle Bracket Assembly, RH	79	532 18 85-45	Belt Keeper
22	532 42 88-67	Screw, Hex Washer Head	80	532 18 03-94	Spring
23	532 16 31-83	Bolt, Hex Head 5/16-18 x 5/8	81	532 18 01-88	Link, Torque
24	873 80 05-00	Nut, Hex, with Lock Washer Insert 5/16-18	82	532 19 50-49	Holder Assembly, Blade
25	532 16 13-33	Baffle, Side	83	532 19 50-72	Plate Assembly, Ball Control
26	532 16 34-09	Screw 12 x 5/8	84	532 19 50-53	Ball, Steel
27	532 40 84-42	Skirt, Rear	85	532 19 50-73	Plate, Spring Hook
28	532 08 86-52	Screw, Hinge 1/4-20 x 1.25	86	532 19 50-74	Plate, Brake
31	532 18 04-59	Blade, 21"	87	532 19 50-57	Spring, Ball Plate
37	532 15 04-06	Bolt, Engine	88	532 19 50-60	Disk, Drive
38	- - -	Engine, Honda, Model No. GCV160 (For engine service and replacement parts, call Honda at 1-800-426-7701)	89	532 19 50-63	Disk, Driven
39	532 42 56-67	Grassbag	90	532 19 50-64	Pulley, Drive
40	532 41 19-51	Frame, Grassbag	91	532 19 50-65	Spring, Clutch
41	532 40 47-63	Danger Decal	92	532 19 50-67	Bolt, Flange (10 x 24)
42	817 06 04-10	Screw	93	532 19 50-68	Bearing, Radial Ball (6006)
45	532 19 05-10	Mulcher Door Assembly	94	532 19 50-69	Bearing, Radial Ball (6204)
46	532 19 05-12	Deflector, Discharge	95	532 19 50-70	Key, Woodruff (16 x 15)
47	532 08 83-49	Nut, Hex	--	532 40 27-86	Warning Decal (not shown)
			--	532 43 08-76	Operator's Manual, English / French

NOTE: All component dimensions given in U.S. inches. 1 inch = 25.4 mm. **IMPORTANT:** Use only Original Equipment Manufacturer (O.E.M.) replacement parts. Failure to do so could be hazardous, damage your lawn mower and void your warranty.

ROTARY LAWN MOWER - - MODEL NO. 7021RB (MFG. ID. NO. 96143005500) PRODUCT NO. 961 43 00-55



ROTARY LAWN MOWER - - MODEL NO. 7021RB (MFG. ID. NO. 96143005500) PRODUCT NO. 961 43 00-55

KEY NO.	PART NO.	DESCRIPTION	KEY NO.	PART NO.	DESCRIPTION
1	532 43 10-01	Drive Control Assembly (Includes Cable)	23	532 16 45-55	Retainer, Drive Assembly, Stamped
2	532 43 16-38	Cover, Top, Drive Control	24	817 06 04-10	Screw, Tapping, Hex Head 1/4-20 x 5/8
3	532 43 22-86	Cam	25	532 40 07-83	Cover Drive
4	532 43 30-87	Lever, Drive Control, LH	26	532 75 06-34	Screw, Threaded, Rolled #10-25 x .50
5	532 42 03-81	Spring, Drive Control	28	812 00 00-58	E-Ring 7/16
6	532 18 16-98	Screw, Phillips Head #10 x 5/8	29	532 18 94-03	Cover, Dust, Wheel
7	532 43 30-57	Cover, Bottom, Drive Control	31	532 40 48-45	Pawl
8	532 43 27-90	Mounting Bracket, Drive Control	32	532 41 31-05	Wheel, Driven, Rear 8 x 1-3/4
9	532 43 16-55	Cable, Drive Control	33	532 40 91-48	Nut, Hex, Flangelock 3/8-16
10	532 43 29-77	Lever, Drive Control, RH	34	532 85 12-26	Washer, Flat
11	532 40 65-58	Spring	35	532 41 09-22	Shaft Assembly, Rear
13	532 41 92-13	Gear Case Assembly, Complete	36	532 41 09-33	Shaft Assembly, Front
14	532 19 34-43	Pulley, Drive	37	532 16 14-63	Retainer, Front Shaft
15	532 08 83-48	Washer	38	532 16 34-09	Screw #12 x 5/8
16	532 40 71-47	Rod, Connecting	39	532 40 70-59	Bolt, Shoulder, Semi-Gimlett Point
17	532 40 96-16	Spring, Extension	40	532 41 08-31	Wheel, Front 8 x 1-3/4
18	532 41 88-66	Spring Selector	41	532 40 48-35	Pinion
19	532 19 00-69	Knob, Selector Spring	42	532 19 74-80	O-Ring
20	812 00 00-22	E-Ring	44	532 40 65-80	V-Belt
21	532 41 24-50	Bearing, Support	47	532 06 77-25	Washer 1/2 x 1-1/2 x .134
22	532 19 10-39	Bearing, Ball	49	532 16 34-09	Screw #12 x 5/8
			50	532 41 31-04	Bracket, Belt

NOTE: All component dimensions given in U.S. inches. 1 inch = 25.4 mm. **IMPORTANT:** Use only Original Equipment Manufacturer (O.E.M.) replacement parts. Failure to do so could be hazardous, damage your lawn mower and void your warranty.