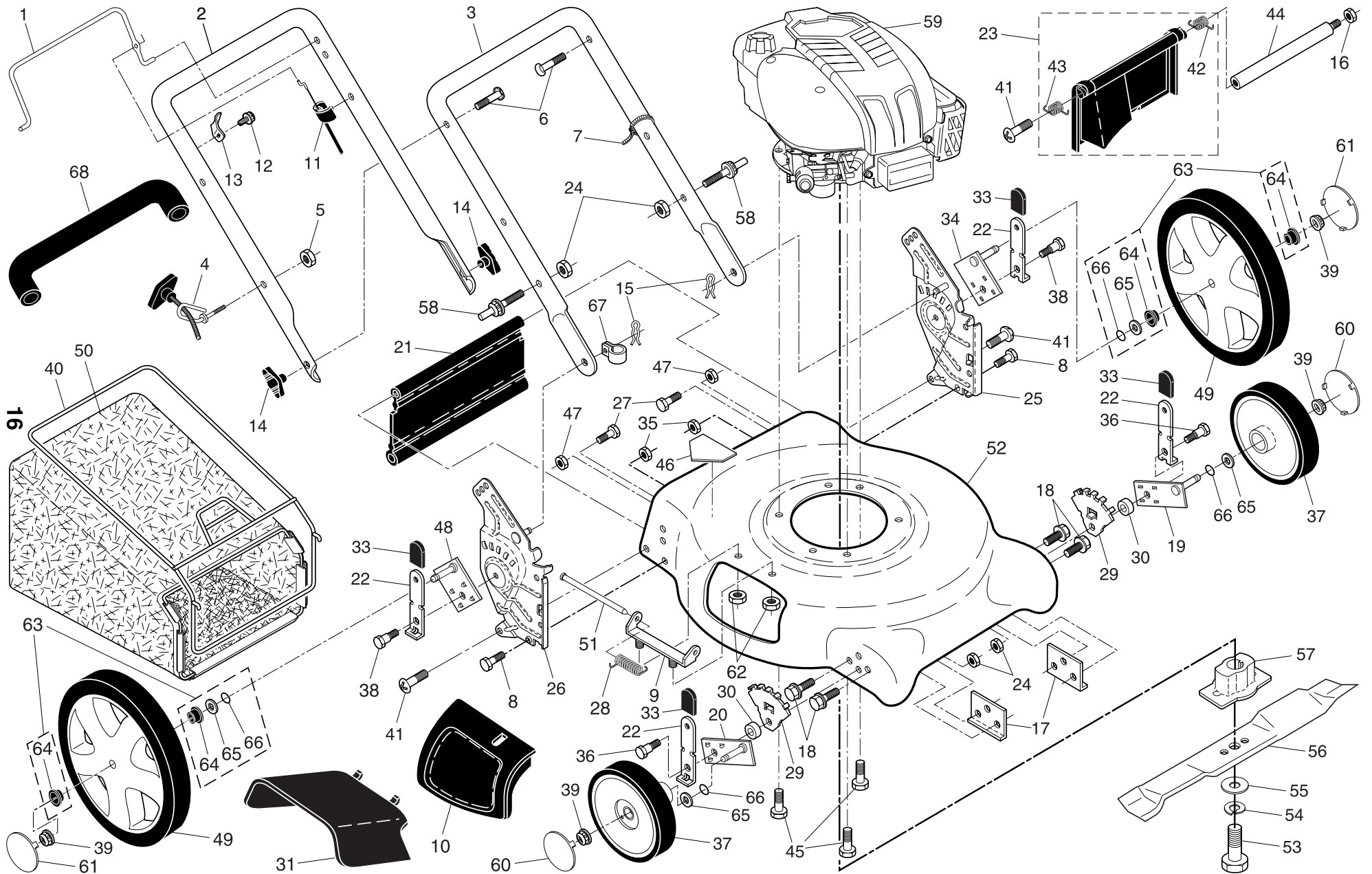


ROTARY LAWN MOWER - - CUSTOMER MODEL NUMBER 7021CP (96133000200) PRODUCT NO. 961 33 00-02



ROTARY LAWN MOWER - - CUSTOMER MODEL NUMBER 7021CP (96133000200) PRODUCT NO. 961 33 00-02

KEY NO.	PART NO.	DESCRIPTION	KEY NO.	PART NO.	DESCRIPTION
1	532 19 72-03	Control Bar	37	532 15 03-48	Wheel & Tire Assembly, Front 8 x 2
2	532 19 69-54	Upper Handle (Includes Foam Grip)	38	532 16 43-62	Shoulder Bolt
3	532 19 72-02	Lower Handle	39	532 08 39-23	Nut, Hex, Flangelock
4	532 17 95-85	Rope Guide	40	532 18 88-13	Frame, Grassbag
5	532 13 20-04	Locknut, Hex 1/4-20	41	532 08 86-52	Hinge Screw
6	532 19 15-74	Handle Bolt	42	532 16 57-66	Spring, Rear Door, LH
7	532 06 64-26	Wire Tie	43	532 16 57-67	Spring, Rear Door, RH
8	874 78 05-12	Hex Bolt 5/16-18 x 3/4	44	532 18 58-19	Rod, Rear Door
9	532 15 41-32	Hinge Bracket Assembly	45	532 15 04-06	Hex Head Thread Rolling Screw 3/8-16 x 1
10	532 18 55-89	Mulcher Door	46	532 10 73-39	Danger Decal
11	532 17 65-56	Engine Zone Control Cable	47	873 80 05-00	Nut, Hex
12	532 75 06-34	Hex Washer Head Screw #10-24 x 1/2	48	532 16 86-02	Axle Arm Assembly, Rear, RH
13	532 12 52-03	Up-Stop Bracket	49	532 18 05-52	Wheel & Tire Assembly, Rear 14 x 2
14	532 18 55-88	Handle Knob	50	532 19 47-15	Grassbag
15	532 05 17-93	Hairpin Cotter	51	532 14 72-86	Hinge Rod
16	532 75 11-52	Nut, Hex, Flangelock 1/4-20	52	532 16 36-62	Kit, Lawn Mower Housing Assembly (Includes Key Numbers 17, 18 and 46)
17	532 17 41-12	Support Bracket	53	532 85 10-84	Hex Head Screw 3/8-24 x 1-3/8 Grade 8
18	817 60 04-06	Screw	54	532 85 02-63	Helical Lockwasher
19	532 18 92-77	Axle Arm Assembly, Front, LH	55	532 85 10-74	Hardened Washer
20	532 18 92-78	Axle Arm Assembly, Front, RH	56	532 18 90-28	21" Blade
21	532 18 90-08	Rear Skirt	57	532 19 37-07	Blade Adapter
22	532 16 85-99	Selector Spring	58	532 18 88-21	Adjustment Bolt
23	532 18 66-12	Kit, Rear Door (Includes Springs)	59	---	Engine, Briggs & Stratton, Model Number 12H602 (Order parts from engine manufacturer)
24	873 93 05-00	Locknut, Hex 5/16-18	60	532 18 06-26	Hubcap, Front Wheel, 8"
25	532 19 72-04	Handle Bracket Assembly, LH	61	532 19 18-53	Hubcap, Rear Wheel, 3"
26	532 19 72-05	Handle Bracket Assembly, RH	62	873 80 04-00	Nut, Hex, Nylock 1/4-20
27	817 60 04-06	Screw 1/4-20 x 3/8	63	532 19 34-98	Kit, Bushing, High Wheel
28	532 15 21-24	Spring, Torsion	64	532 19 36-96	Bushing, Nylon, Black
29	532 16 57-04	Wheel Adjusting Bracket, Front	65	532 08 83-48	Washer, Flat
30	532 18 39-01	Spacer	66	532 18 81-52	O-Ring
31	532 18 55-95	Discharge Deflector	67	532 19 27-70	Clip, Cable
33	532 18 55-74	Selector Knob	68	532 18 63-62	Grip, Foam
34	532 16 86-01	Axle Arm Assembly, Rear, LH	--	532 16 23-00	Warning Decal (not shown)
35	532 16 67-85	Locknut, Hex 5/16-18	--	532 19 69-55	Owner's Manual, English / French
36	532 16 08-28	Shoulder Bolt 5/16-18			

17

NOTE: All component dimensions given in U.S. inches. 1 inch = 25.4 mm

IMPORTANT: Use only Original Equipment Manufacturer (O.E.M.) replacement parts. Failure to do so could be hazardous, damage your lawn mower and void your warranty.