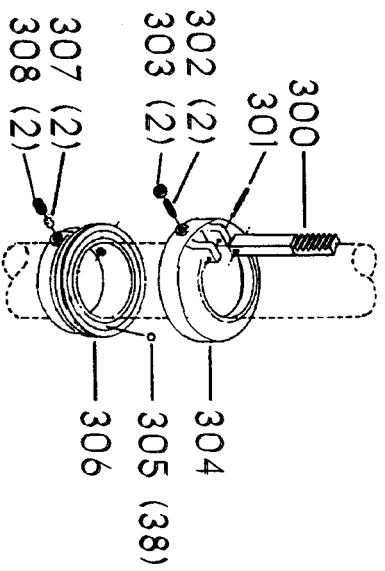
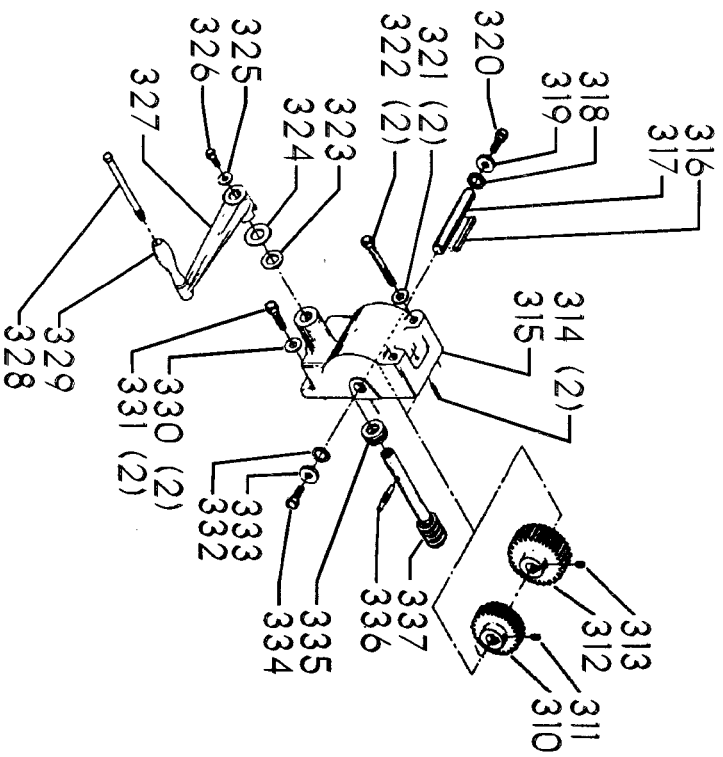
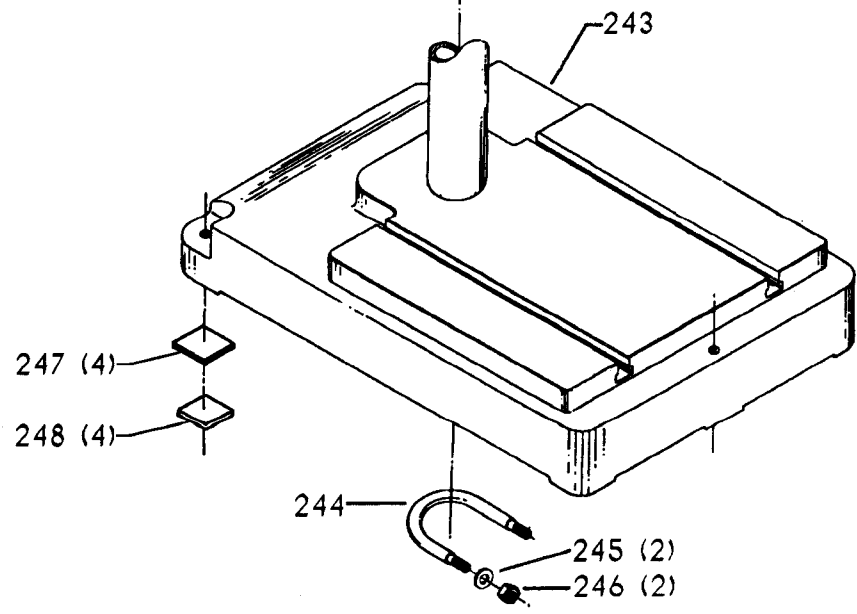
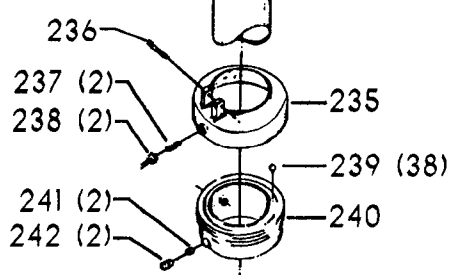
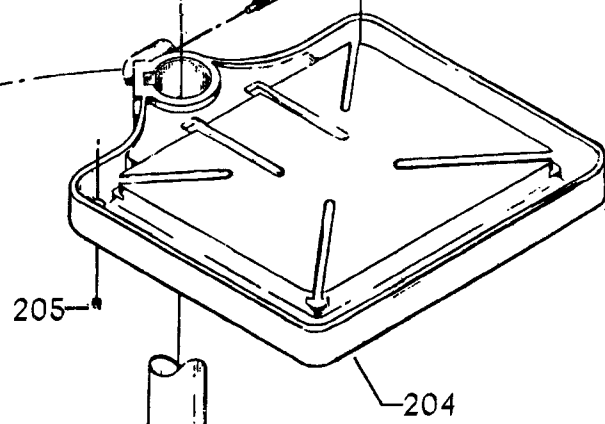
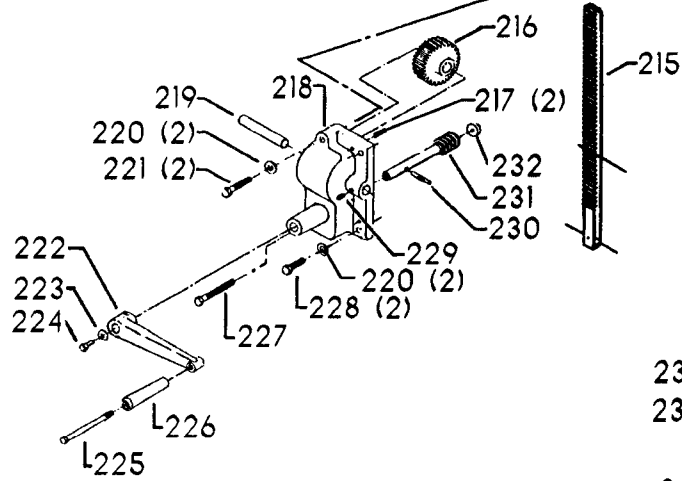
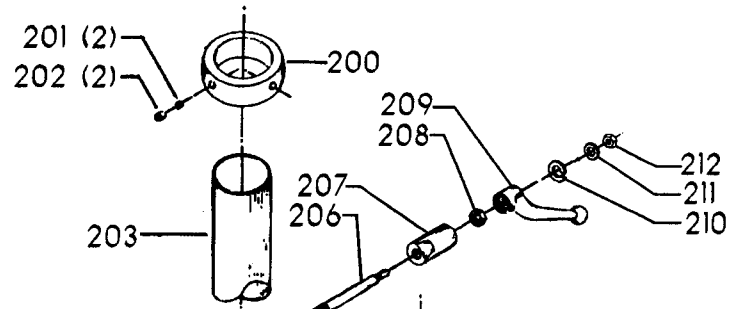
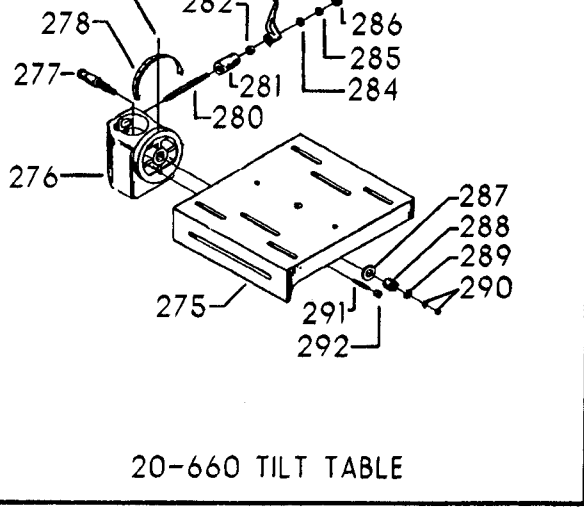
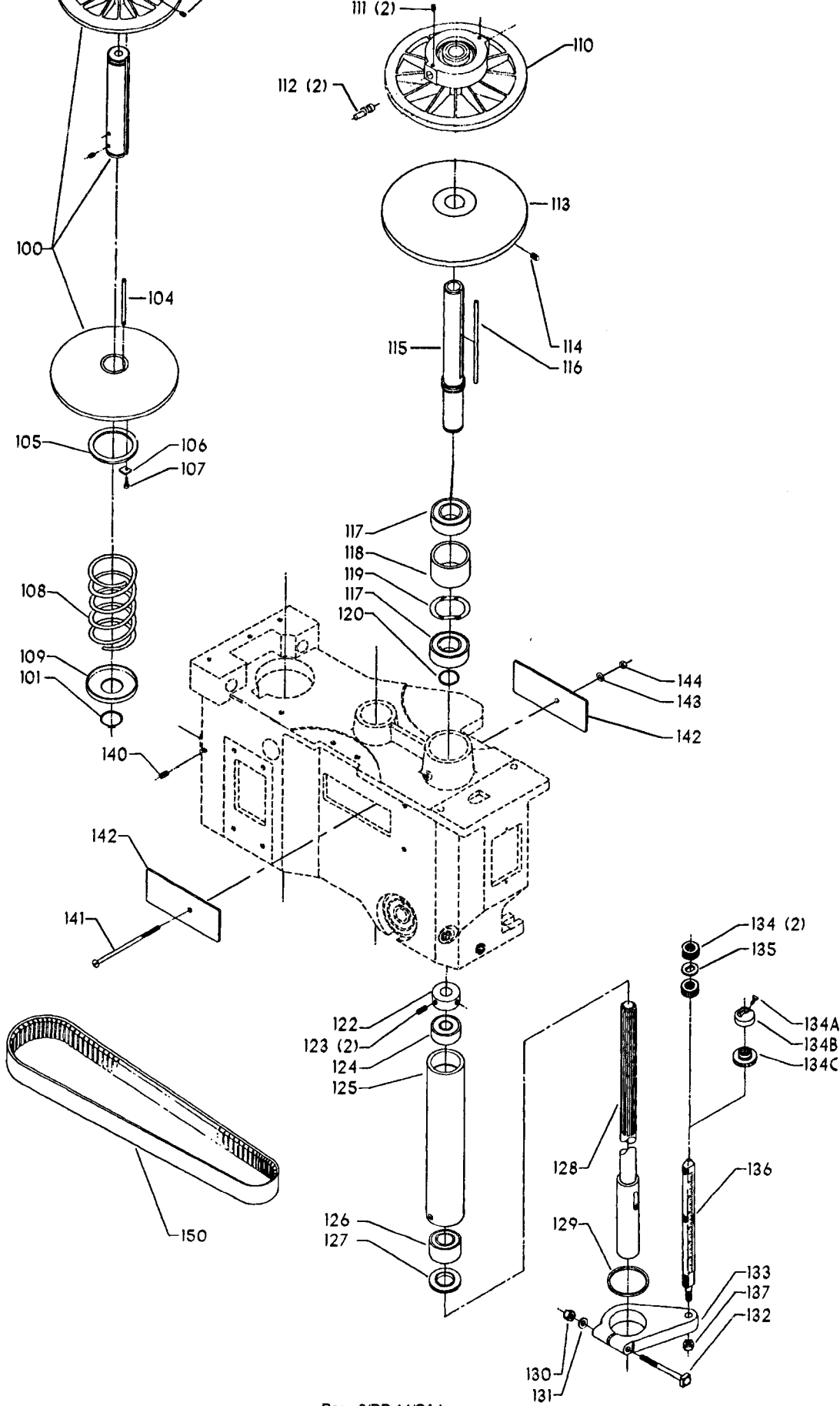


ITEMS ILLUSTRATED BELOW FOR USE WITH EARLY MODELS ONLY







Parts List for 70-395 Type 1

| Item Number | Part Number | Description | Qty Required |
|-------------|---------------|----------------------|--------------|
| 1 | 402060545006 | REAR GUARD | 1 |
| 2 | 000000-00 | No Longer Available | 4 |
| 2 | 402007520001 | WARNING LABEL | 1 |
| 3 | 902030502974 | SPEED NUT | 6 |
| 4 | 402060315003 | SHIELD | 1 |
| 5 | 000000-00 | No Longer Available | 2 |
| 6 | 1200248 | SHIFTER BRACKET ASSY | 1 |
| 6 | 1200248 | SHIFTER BRACKET ASSY | 1 |
| 7 | 000000-00 | No Longer Available | 1 |
| 8 | 920040205384 | BEARING | 1 |
| 9 | 1200865 | SPECIAL BOLT | 1 |
| 10 | 1200219 | ROD | 1 |
| 11 | 906855S | CLIP | 2 |
| 12 | 904150107008 | RING | 1 |
| 13 | 402041065010 | SHAFT | 1 |
| 14 | 927010102633 | KEY | 1 |
| 15 | 402040195001 | CAM | 1 |
| 16 | 1200266 | SPEED CONTROL SCREW | 2 |
| 17 | 489191-00 | HEX NUT | 2 |
| 18 | 402060545004 | FRONT GUARD | 1 |
| 19 | 901051931196 | SCREW | 4 |
| 20 | 901064502250S | DRIVE SCREW | 4 |
| 21 | 402060370006 | DIAL PLATE | 1 |
| 22 | 1200225 | PLUG | 1 |
| 23 | 901041501111 | SET SCREW | 1 |
| 24 | 1202610 | ROD ASSY | 2 |
| 25 | 000000-00 | No Longer Available | 2 |

Parts List for 70-395 Type 1

| Item Number | Part Number | Description | Qty Required |
|-------------|---------------|---------------------|--------------|
| 25 | 1641138 | KNOB | 2 |
| 26 | 402040755003 | POINTER | 1 |
| 27 | 1200224 | HUB | 1 |
| 28 | 928010413355 | COIL SPRING | 1 |
| 29 | 901041900225S | SET SCREW | 1 |
| 30 | 1200296 | MOTOR PLATE ASSY | 1 |
| 31 | 000000-00 | No Longer Available | 4 |
| 32 | 902030002951 | SPEED NUT | 4 |
| 33 | 901010600649S | CAP SCREW | 2 |
| 34 | 902030002951 | SPEED NUT | 2 |
| 35 | 902010101300S | HEX NUT | 4 |
| 36 | 904010101620S | WASHER | 4 |
| 40 | 901020100512 | MACHINE SCREW | 1 |
| 41 | 429010040004 | CABLE CLAMP | 1 |
| 42 | 901010600605 | CAP SCREW | 1 |
| 43 | 401040315005 | COVER PLATE | 4 |
| 44 | 904010101620S | WASHER | 4 |
| 45 | 901010619534 | BOLT | 1 |
| 46 | 905010102718 | ROLL PIN | 1 |
| 47 | 1200228 | COLUMN CLAMP | 1 |
| 48 | 000000-00 | No Longer Available | 1 |
| 49 | 000000-00 | No Longer Available | 1 |
| 50 | 902010101300S | HEX NUT | 2 |
| 51 | 000000-00 | No Longer Available | 2 |
| 52 | 906485S | SCREW | 2 |
| 53 | 906482S | SPEED NUT | 2 |
| 54 | 402060575001 | HEAD | 1 |

Parts List for 70-395 Type 1

| Item Number | Part Number | Description | Qty Required |
|-------------|---------------|----------------------|--------------|
| 55 | 904020201704S | LOCK WASHER | 2 |
| 56 | 901010600648S | CAP SCREW | 2 |
| 57 | 905010106745 | ROLL PIN | 1 |
| 58 | 000000-00 | No Longer Available | 1 |
| 59 | 000000-00 | No Longer Available | 1 |
| 60 | 000000-00 | No Longer Available | 3 |
| 60 | 931010114796 | KNOB - SCREW ON | 3 |
| 61 | 402071065026 | PINION SHAFT | 1 |
| 62 | 952011213274 | SPRING PIN | 1 |
| 63 | 402040310001S | SWITCH OPENING COVER | 1 |
| 64 | 901020505634 | FILL HD SCREW | 2 |
| 65 | 000000-00 | No Longer Available | 1 |
| 66 | 1200227 | QUILL LOCK | 1 |
| 67 | 000000-00 | No Longer Available | 2 |
| 68 | 000000-00 | No Longer Available | 2 |
| 69 | 000000-00 | No Longer Available | 2 |
| 70 | 901020100503 | MACHINE SCREW | 2 |
| 71 | 905010106715S | ROLL PIN | 1 |
| 72 | 000000-00 | No Longer Available | 1 |
| 73 | 901030408015S | CAP SCREW | 1 |
| 74 | 928080121766 | RETURN SPRING | 1 |
| 75 | 000000-00 | No Longer Available | 1 |
| 76 | 904010101622 | STEEL WASHER | 1 |
| 77 | 902010201226S | NUT | 1 |
| 78 | 901041500231S | SET SCREW | 1 |
| 100 | 1200292 | MOTOR PULLEY ASSY | 1 |
| 101 | 000000-00 | No Longer Available | 1 |

Parts List for 70-395 Type 1

| Item Number | Part Number | Description | Qty Required |
|-------------|--------------|---------------------|--------------|
| 102 | 1200205 | ROD | 1 |
| 103 | 901041506227 | SET SCREW | 3 |
| 104 | 1200210 | NOTCHED ROD | 1 |
| 105 | 1200209 | WASHER | 1 |
| 106 | 1200202 | PLATE | 1 |
| 107 | 901030103306 | CAP SCREW | 1 |
| 108 | 1200207 | SPRING | 1 |
| 109 | 1200208 | RETAINER | 1 |
| 110 | 1200886 | SPINDLE PULLEY ASSY | 1 |
| 111 | 901041506227 | SET SCREW | 1 |
| 112 | 1200245 | ECCENTRIC | 2 |
| 113 | 1200250 | FIXED PULLEY ASSY | 1 |
| 114 | 000000-00 | No Longer Available | 1 |
| 115 | 1200280 | SHAFT | 1 |
| 116 | 1200255 | ROD | 1 |
| 117 | 920040216559 | BEARING | 1 |
| 118 | 1200204 | SPACER | 1 |
| 119 | 000000-00 | No Longer Available | 1 |
| 120 | 906467S | RING | 1 |
| 122 | 904101812409 | COLLAR | 1 |
| 123 | 901041500217 | SET SCREW | 2 |
| 124 | 920040205348 | BEARING | 1 |
| 125 | 1200284 | QUILL ASSY | 1 |
| 125 | 402060775001 | QUILL | 1 |
| 126 | 920070805334 | BEARING | 1 |
| 127 | 401040365001 | FLINGER COLLAR | 1 |
| 128 | 1200302 | SPINDLE | 1 |

Parts List for 70-395 Type 1

| Item Number | Part Number | Description | Qty Required |
|-------------|---------------|----------------------|--------------|
| 129 | 904070612942 | CUSHION RING | 1 |
| 130 | 902010101300S | HEX NUT | 1 |
| 131 | 904010101620S | WASHER | 1 |
| 132 | 401041125001 | SPECIAL BOLT | 1 |
| 133 | 000000-00 | No Longer Available | 1 |
| 134 | 402120685001 | KNURLED NUT | 2 |
| 134 | 901042601534 | THUMB SCREW | 1 |
| 134 | 402040885005 | MICRO STOP | 1 |
| 134 | 402040885005 | MICRO STOP | 1 |
| 135 | 904011031317 | SPEC WASHER | 1 |
| 136 | 1200223 | STOP ASSY | 1 |
| 136 | 402071085004 | ROD | 1 |
| 137 | 489191-00 | HEX NUT | 1 |
| 140 | 901041500206 | SET SCREW | 1 |
| 141 | 901020100912 | MACHINE SCREW | 1 |
| 142 | 000000-00 | No Longer Available | 1 |
| 143 | 099389-06 | WASHER | 1 |
| 144 | 489026-00 | HEX NUT | 1 |
| 150 | 1200256 | BELT | 1 |
| 200 | 401040895001 | STOP COLLAR | 1 |
| 201 | 000000-00 | No Longer Available | 2 |
| 202 | 000000-00 | No Longer Available | 2 |
| 203 | 000000-00 | No Longer Available | 1 |
| 203 | 000000-00 | No Longer Available | 1 |
| 203 | 20-627 | 3-3/4 X 66 IN COLUMN | 1 |
| 203 | 000000-00 | No Longer Available | 1 |
| 204 | 000000-00 | No Longer Available | 1 |

Parts List for 70-395 Type 1

| Item Number | Part Number | Description | Qty Required |
|-------------|---------------|---------------------|--------------|
| 205 | 000000-00 | No Longer Available | 1 |
| 206 | 952011413285 | STUD | 1 |
| 207 | 904101315359 | LOCKING PLUG | 1 |
| 208 | 902012101084 | 5/8FLEXLCKNUT | 1 |
| 209 | 402070275002 | LOCK LEVER | 1 |
| 210 | 904020101713 | LOCK WASHER | 1 |
| 211 | 904010315651 | WASHER | 1 |
| 212 | 852573 | NUT | 1 |
| 215 | 1202149 | GEAR RACK | 1 |
| 216 | 1202148 | GEAR | 1 |
| 217 | 000000-00 | No Longer Available | 2 |
| 218 | 402060135002 | GEAR BOX | 1 |
| 219 | 1202150 | SHAFT | 1 |
| 220 | 904010101620S | WASHER | 4 |
| 221 | 901010600609S | CAP SCREW | 2 |
| 222 | 930050715918 | CRANK | 1 |
| 223 | 904010317712S | WASHER | 1 |
| 224 | 901010600651 | CAP SCREW | 1 |
| 225 | 422040715002S | PIN | 1 |
| 226 | 1086395S | HANDLE | 1 |
| 227 | 901010605770 | CAP SCREW | 1 |
| 228 | 901010600649S | CAP SCREW | 2 |
| 229 | 901041500205 | SET SCREW | 1 |
| 230 | 905020506862 | GROOVE PIN | 1 |
| 231 | 1202147 | WORM GEAR | 1 |
| 232 | 1202154 | THRUST BEARING | 1 |
| 235 | 000000-00 | No Longer Available | 1 |

Parts List for 70-395 Type 1

| Item Number | Part Number | Description | Qty Required |
|-------------|---------------|---------------------|--------------|
| 236 | 000000-00 | No Longer Available | 1 |
| 237 | 901043804562 | GUIDE SCREW | 2 |
| 238 | 902010205435S | JAM NUT | 2 |
| 239 | 921010100031 | STEEL BALL | 38 |
| 240 | 000000-00 | No Longer Available | 1 |
| 241 | 000000-00 | No Longer Available | 2 |
| 242 | 000000-00 | No Longer Available | 2 |
| 243 | 000000-00 | No Longer Available | 1 |
| 244 | 401040275001 | U-BOLT | 1 |
| 245 | 000000-00 | No Longer Available | 2 |
| 246 | 902010101282S | HEX JAM NUT | 2 |
| 247 | 402070205006 | CAP FOR PAD | 4 |
| 248 | 402070895005 | PAD | 4 |
| 275 | 000000-00 | No Longer Available | 1 |
| 276 | 401043145005 | BRACKET ASSY | 1 |
| 277 | 401041115001 | STUD | 1 |
| 278 | 951020114326 | TILT SCALE | 1 |
| 279 | 901064502250S | DRIVE SCREW | 3 |
| 280 | 952011413285 | STUD | 1 |
| 281 | 904101315359 | LOCKING PLUG | 1 |
| 282 | 852573 | NUT | 1 |
| 283 | 402070275002 | LOCK LEVER | 1 |
| 284 | 904010315651 | WASHER | 1 |
| 285 | 904020101713 | LOCK WASHER | 1 |
| 286 | 902012101084 | 5/8FLEXLCKNUT | 1 |
| 287 | 904010315654 | FLAT WASHER | 1 |
| 288 | 902012012594 | HEX NUT | 1 |

Parts List for 70-395 Type 1

| Item Number | Part Number | Description | Qty Required |
|-------------|---------------|---------------------|--------------|
| 289 | 000000-00 | No Longer Available | 1 |
| 290 | 902010201226S | NUT | 1 |
| 291 | 000000-00 | No Longer Available | 1 |
| 292 | 902010101232 | HEX NUT | 1 |
| 300 | 402060515005 | RACK | 1 |
| 301 | 000000-00 | No Longer Available | 1 |
| 302 | 901043804562 | GUIDE SCREW | 2 |
| 303 | 902010205435S | JAM NUT | 2 |
| 304 | 000000-00 | No Longer Available | 1 |
| 305 | 921010100031 | STEEL BALL | 38 |
| 306 | 000000-00 | No Longer Available | 1 |
| 307 | 000000-00 | No Longer Available | 2 |
| 308 | 000000-00 | No Longer Available | 2 |
| 310 | 401043515002 | GEAR ASSY | 1 |
| 311 | 491950-00 | SET SCREW | 1 |
| 312 | 401043515003 | GEAR ASSY | 1 |
| 313 | 491950-00 | SET SCREW | 1 |
| 314 | 905020105030 | GROOVE PIN | 2 |
| 315 | 000000-00 | No Longer Available | 1 |
| 316 | 927030102668 | KEY | 1 |
| 317 | 401041065007 | GEAR SHAFT | 1 |
| 318 | 904070714230 | WASHER | 1 |
| 319 | 904100315381 | WASHER | 1 |
| 320 | 901010600663 | CAP SCREW | 1 |
| 321 | 904010101620S | WASHER | 2 |
| 322 | 901010605770 | CAP SCREW | 2 |
| 323 | 904070714214 | WASHER | 1 |

Parts List for 70-395 Type 1

| Item Number | Part Number | Description | Qty Required |
|-------------|---------------|---------------------|--------------|
| 324 | 904010101622 | STEEL WASHER | 1 |
| 325 | 904010317712S | WASHER | 1 |
| 326 | 901010600651 | CAP SCREW | 1 |
| 327 | 000000-00 | No Longer Available | 1 |
| 328 | 422040715002S | PIN | 1 |
| 329 | 1086395S | HANDLE | 1 |
| 330 | 904010101620S | WASHER | 2 |
| 331 | 901010600649S | CAP SCREW | 2 |
| 332 | 904070714230 | WASHER | 1 |
| 333 | 904100315381 | WASHER | 1 |
| 334 | 901010600663 | CAP SCREW | 1 |
| 335 | 000000-00 | No Longer Available | 1 |
| 336 | 905020506862 | GROOVE PIN | 1 |
| 337 | 401040515002 | WORM GEAR | 1 |