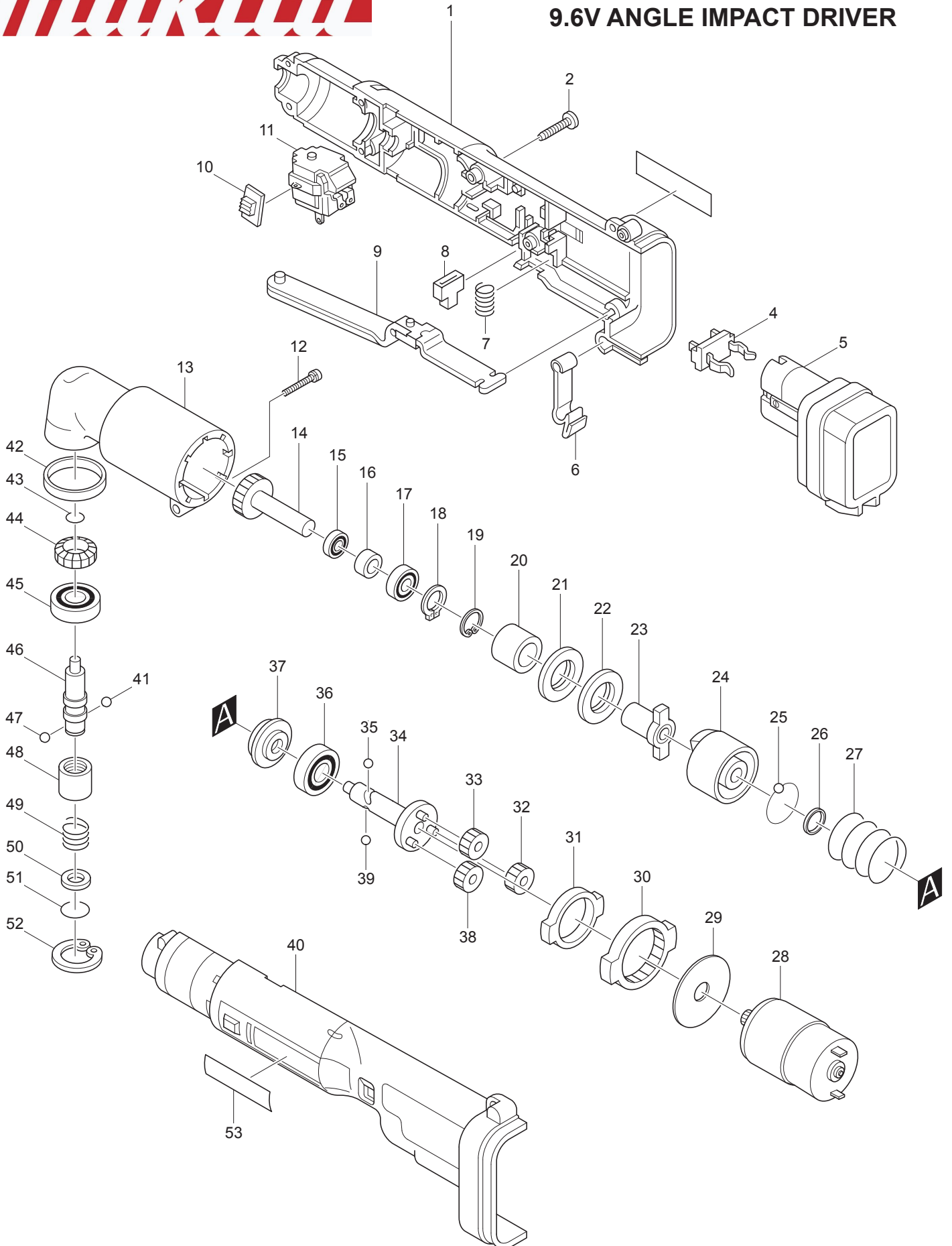




03 - 2010  
6940D / 6940DW  
9.6V ANGLE IMPACT DRIVER



Item No.	Type	Sub	Part No.	Description (* see Service changes on the bottom)	Qty	Unit
1	1		415501-9	HOUSING (R)	1	PC.
	2		182755-0	HOUSING SET	1	SET
		INC.		Item No. 40		
2			265925-7	TAPPING SCREW BT4X20	8	PC.
4	1		643924-3	BATTERY HOLDER	1	PC.
	2		643918-8	BATTERY HOLDER	1	PC.
6			344121-1	SET PLATE	1	PC.
7			231470-4	COMPRESSION SPRING 6	1	PC.
8			417160-5	SWITCH LEVER (OLD# 415500-1 - N/L/A)	1	PC.
9			152615-0	LEVER COMPLETE	1	PC.
10			414740-8	LEVER	1	PC.
11			650500-6	SWITCH (OLD# 651909-5 - N/L/A)	1	PC.
12			265409-5	+ HEX. BOLT M5X30	1	PC.
13			152461-1	ANGLE HEAD COMPLETE	1	PC.
14			226720-0	ZEROL BEVEL GEAR 13	1	PC.
15			211064-1	BALL BEARING 6000	1	PC.
16			257660-1	SLEEVE 10	1	PC.
17			211061-7	BALL BEARING 6000LLB	1	PC.
18			961006-2	RETAINING RING S-10	1	PC.
19			962105-3	RETAINING RING R-26	1	PC.
20			257662-7	SLEEVE 15	1	PC.
21			261095-0	RUBBER WASHER 21	1	PC.
22			267120-5	FLAT WASHER 15	1	PC.
23			322689-7	ANVIL	1	PC.
24			322688-9	HAMMER	1	PC.
25			216001-0	STEEL BALL 3.5	22	PC.
26			267121-3	FLAT WASHER 20	1	PC.
27			233107-9	COMPRESSION SPRING 22	1	PC.
28			629683-3	DC MOTOR 9.6V	1	PC.
		INC.	226235-7	SPUR GEAR 11	1	PC.
29			267053-4	FLAT WASHER 12	1	PC.
30			226280-2	INTERNAL GEAR 69	1	PC.
31			257187-1	RING 32	1	PC.
32			226279-7	SPUR GEAR 29	1	PC.
33			226279-7	SPUR GEAR 29	1	PC.
34			154416-2	SPINDLE COMPLETE	1	PC.
		INC.	256216-7	PIN 3	3	PC.
35			216002-8	STEEL BALL 4.8	1	PC.
36			211064-1	BALL BEARING 6000	1	PC.
37			322719-4	WASHER 10	1	PC.
38			226279-7	SPUR GEAR 29	1	PC.
39			216002-8	STEEL BALL 4.8	1	PC.
40	1		159827-6	HOUSING COM (L)	1	PC.
	2		182755-0	HOUSING SET	1	SET
		INC.		Item No. 1		
41			216001-0	STEEL BALL 3.5	1	PC.
42			262062-8	RUBBER RING 31	1	PC.
43	1		231961-5	RING SPRING 9	1	PC.
	2		231990-8	RING SPRING 9	1	PC.
44			226721-8	ZEROL BEVEL GEAR 13	1	PC.
45			211131-2	BALL BEARING 6001DDW	1	PC.
46			323922-0	SPINDLE N (OLD# 322714-4 - N/L/A)	1	PC.
47			216001-0	STEEL BALL 3.5	1	PC.
48			322718-6	SLEEVE	1	PC.
49			233005-7	COMPRESSION SPRING 13	1	PC.
50			267085-1	FLAT WASHER 12	1	PC.

<b>Item No.</b>	<b>Type</b>	<b>Sub</b>	<b>Part No.</b>	<b>Description (* see Service changes on the bottom)</b>	<b>Qty</b>	<b>Unit</b>
51			231951-8	RING SPRING 11	1	PC.
52			962116-8	RETAINING RING R-28	1	PC.
53			819063-3	MAKITA LABEL	1	PC.
<b><u>ACCESSORIES</u></b>		<b>- See catalogue or visit <a href="http://www.makita.ca">www.makita.ca</a> for other optional accessories -</b>				
A01			414938-7	BATTERY COVER	1	PC.
A02			784202-3	PHILLIPS BIT 2-45	1	PC.
A04			DC1414	DC1414 BATTERY CHARGER	1	PC.
A05			192019-4	9.6V NI-CAD BATTERY 9100	1	PC.
A06			192439-2	RATCHET HEAD - See Parts breakdown <b>192439-2</b>	1	PC.
A07			192440-7	STRAIGHT HEAD - See Parts breakdown <b>192440-7</b>	1	PC.
A08			134745-9	SOCKET ADAPTOR 3/8"	1	PC.
			134746-7	SOCKET ADAPTOR 1/2"	1	PC.

**SERVICE CHANGES**

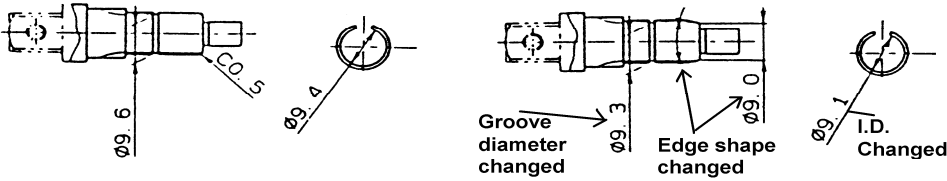
**1. Changes on Spindle and Ring Spring 9**

Item No.	Description	Type 1	Type 2
43	Ring Spring 9	231961-5	231990-8
46	Spindle	322714-4	323922-0

Above parts are completely interchangeable as a set.

**Type 1**

**Type 2**



**2. Changes on Lever Switch and Lever Com.**

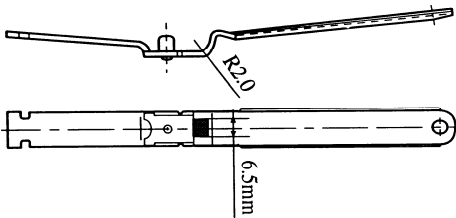
Item No.	Description	Type 1	Type 2
8	Switch Lever	415500-1	417160-5
9	Lever Com.	158039-8	152615-0

Above parts are completely interchangeable as a set.

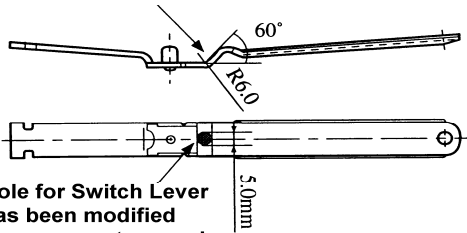
**Type 1**

**Type 2**

**Lever Com.**



**Bent part of the lever has been modified**



**Hole for Switch Lever has been modified from square to round**

**Switch Lever**

