



Operating Instructions and Parts Manual Electronic Variable Speed Turret Mill

Models: JTM-949EVS/230, JTM-949EVS4
JTM-1050EVS2, JTM-1050EVS4

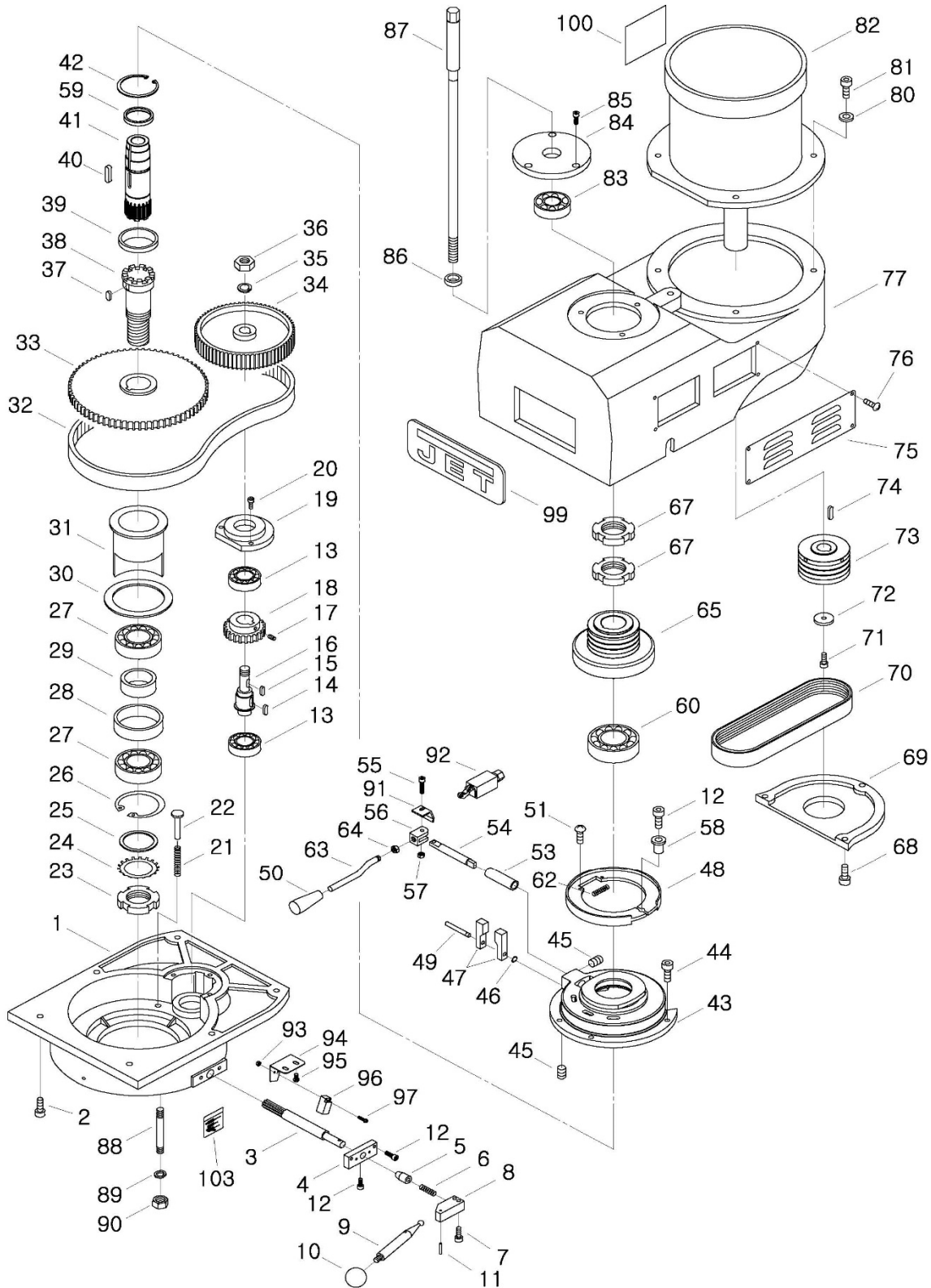


JTM-949EVS/230 shown

JET
427 New Sanford Road
LaVergne, Tennessee 37086
Ph.: 800-274-6848
www.jettools.com

Part No. M-690501
Revision F1 10/2018
Copyright © 2018 JET

13.1.1 JTM-949EVS/JTM-1050EVS Upper Head Assembly – Exploded View

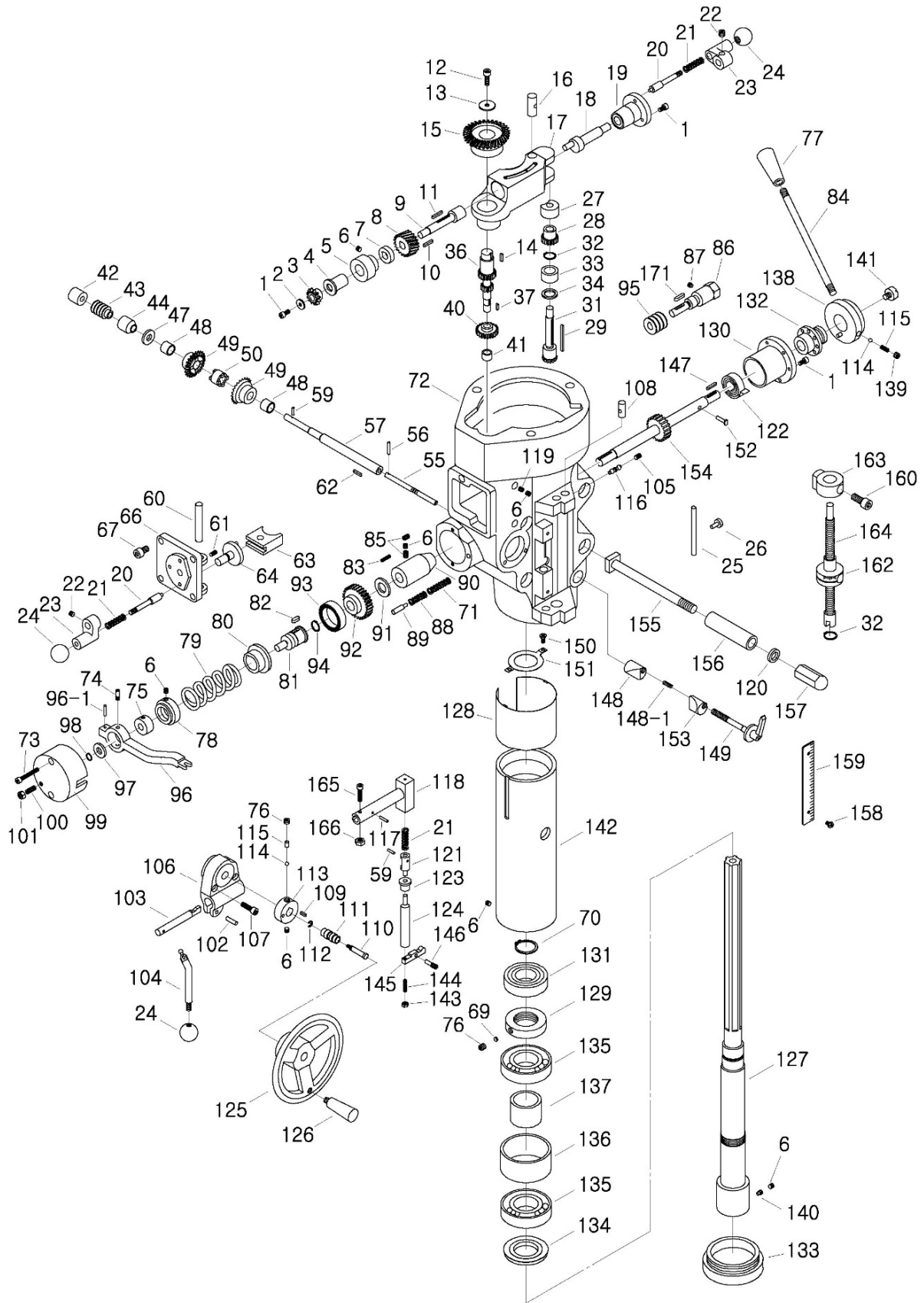


13.1.2 JTM-949EVS/JTM-1050EVS Upper Head Assembly – Parts List

Index No	Part No	Description	Size	Qty
1	JTM949EVS-A01	Upper Pulley Housing		1
2	TS-1504041	Hex Socket Cap Screw	M8x20	4
3	JTM949EVS-A03	Bull Gear Shifter Pinion Shaft		1
4	JTM949EVS-A04	Hi-Lo Detent Plate		1
5	JTM949EVS-A05	Sleeve		1
6	JTM949EVS-A06	Spring		1
7	TS-1502031	Hex Socket Cap Screw	M5x12	2
8	JTM949EVS-A08	Hi-Lo Pinion Block		1
9	JTM949EVS-A09	Hi-Lo Shift Handle		1
10	BH1/4	Black Plastic Ball	1/4"	1
11	B-56	Spring Pin	3x20	1
12	TS-1502041	Hex Socket Cap Screw	M5x16	3
13	BB-6203ZZ	Ball Bearing	6203ZZ	2
14	KF2R5518	Key	5x5x18	1
15	KF2R5515	Key	5x5x15	1
16	JTM949EVS-A16	Gear Shaft		1
17	TS-1523011	Set Screw	M6x6	4
18	JTM949EVS-A18	Gear		4
19	JTM949EVS-A19	Ball Bearing Bracket		1
20	TS-1504041	Hex Socket Cap Screw	M8x20	3
21	JTM949EVS-A21	Pressure Spring		3
22	JTM949EVS-A22	Spring Shaft		3
23	AN08	Bearing Nut	AN08	1
24	AW08	Bearing Washer	AW08	1
25	JTM949EVS-A25	Spacer		1
26	RTW62	Retaining Ring	RTW62	1
27	BB-6908ZZ	Ball Bearing	6908ZZ	2
28	JTM949EVS-A28	Gear Bearing Spacer (Large)		1
28A	JTM949EVS-A28A	Gear Bearing Spacer Assembly (#28,29)		
29	JTM949EVS-A29	Gear Bearing Spacer (Small)		1
30	JTM949EVS-A30	Washer		1
31	JTM949EVS-A31	Bearing Sleeve		1
32	JTM949EVS-A32	Timing Belt	225L100	1
33	JTM949EVS-A33	Gear		1
34	JTM949EVS-A34	Timing Pulley		1
35	TS-0720131	Spring Washer	5/8"	1
36	NH(T)5/8-18UNF	Hex Nut	5/8"-18UNF	1
37	KF2R8712	Key	8x7x12	1
38	JTM949EVS-A38	Output Clutch		1
39	JTM949EVS-A39	Clutch Collar		1
40	JTM949EVS-A40	Key	7x7x40	1
41	JTM949EVS-A41	Input Clutch		1
42	RTW80	Retaining Ring	RTW80	1
43	JTM949EVS-A43	Brake Base (RE: JTM949EVS-A104)		1
44	TS-1504041	Hex Socket Cap Screw	M8x20	4
45	TS-1523011	Set Screw	M6x6	4
46	JTM949EVS-A46	Retaining Ring	STW8	1
47	JTM949EVS-A47	Brake Finger Stud (set of 2)		1
48	JTM949EVS-A48	Brake Shoe		1
49	JTM949EVS-A49	Brake Shaft		1
50	JTM949EVS-A50	Brake Lock Knob	3/8"	1
51	JTM949EVS-A51	Pan Head Screw	1/8"x1/4"	4
53	JTM949EVS-A53	Brake Sleeve		1
54	JTM949EVS-A54	Spindle Brake Shaft		1
55	TS-1503071	Hex Socket Cap Screw	M6x30	1
56	JTM949EVS-A56	Spindle Brake Lever Pivot		1
57	TS-1540041	Hex Nut	M6	1
58	JTM949EVS-A58	Lock Collar		1
59	JTM949EVS-A59	Collar		1
60	BB-6010ZZ	Ball Bearing	6010ZZ	1

Index No	Part No	Description	Size	Qty
61	JTM949EVS-A61	Bracket (RE: JTM949EVS-A104)		1
62	JTM949EVS-A62	Brake Spring		1
63	JTM949EVS-A63	Spindle Brake Lever		1
64	TS-0570031	Hex Nut	3/8"	1
65	JTM949EVS-A65	Pulley		1
67	AN10	Bearing Nut		2
68	TS-1504041	Hex Socket Cap Screw	M8x20	3
69	JTM949EVS-A69	Motor Pulley Cover		1
70	JTM949EVS-A70	Belt	3-11M-850	1
71	TS-1504051	Hex Socket Cap Screw	M8x25L	1
72	JTM949EVS-A72	Washer	Ø9x Ø40x6t	1
73	JTM949EVS-A73	Motor Pulley		1
74	JTM949EVS-A74	Key		1
75	JTM949EVS-A75	Side Belt Housing Cover		2
76	F009884	Socket Head Button Screw	M5 x 8L	8
77	JTM949EVS-A77	Upper Guard		1
80	TS-1550071	Flat Washer	Ø10	4
81	TS-1505031	Hex Socket Cap Screw	M10x25	4
82	JTM949EVS-A82	Motor	2.2kw, 3HP/3Ph	1
	JTM949EVS-A82-1	Motor Fan (not shown)		1
	JTM949EVS-A82-2	Motor Fan Cover (not shown)		1
	JTM949EVS-A82-3	Junction Box Cover (not shown)		1
83	BB-6009ZZ	Ball Bearing	6009ZZ	1
84	JTM949EVS-A84	Upper Cover		1
85	TS-1503041	Hex Socket Cap Screw	M6x16	3
86	JTM949EVS-A86	Spacer		1
87	JTM949EVS-A87	Draw Bar	7/16"	1
87A	JTM949EVS-A87A	Draw Bar Assembly (#86,87)		1
88	JTM949EVS-A88	Stud	7/16"x4"	3
89	TS-0720101	Spring Washer	7/16"	3
90	TS-0561041	Hex Nut	7/16"	3
91	JTM949EVS-A91	Push Plate		1
92	JTM949EVS-A92	Limit Switch		1
93	TS-1540011	Hex Nut	M3	2
94	JTM949EVS-A94	Sensor Bracket		1
95	TS-2246102	Socket Head Button Screw	M6x10	2
96	JTM949EVS-A96	Sensor		1
97	ZX-S36	Pan Head Screw	M3x20	2
99	JET-203	JET Logo	203x84 mm	1
100	LM000001	Motor Label		1
101	JTM949EVS-A101	Cable (Control Panel to Elec Box) – not shown		1
102	JTM949EVS-A102	Cable (Motor to Elec Box) – not shown		1
103	LM000005	Speed Range Label – not shown		1
	JTM949EVS-A104	Brake Base Assembly (includes #43, 61)		1

13.2.1 JTM-949EVS/JTM-1050EVS Lower Head Assembly – Exploded View



13.2.2 JTM-949EVS/JTM-1050EVS Lower Head Assembly – Parts List

Index No	Part No	Description	Size	Qty
1	TS-1502031	Hex Socket Cap Screw	M5x12	6
2	JTM949EVS-B02	Flat Washer	Ø5	1
3	JTM949EVS-B03	Feed Gear		1
4	JTM949EVS-B04	Shaft Sleeve		1
5	JTM949EVS-B05	Worm Cradle Bushing		1
6	TS-1523011	Socket Set Screw	M6x6	8
7	JTM949EVS-B07	Worm Gear Spacer		1
8	JTM949EVS-B08	Feed Drive Worm Gear		1
9	JTM949EVS-B09	Worm Gear Shaft		1
10	JTM949EVS-B10	Worm Shaft Key	3x3x8	1
11	KF2R3320	Key	3x3x20	1
12	TS-1503041	Hex Socket Cap Screw	M6x16	1
13	JTM949EVS-B13	Flat Washer	Ø6	1
14	KF2R5508	Key	5x5x8	1
15	JTM949EVS-B15	Feed Reverse Bevel Gear		1
16	JTM949EVS-B16	Feed Engage Pin		1
17	JTM949EVS-B17	Worm Gear Cradle		1
18	JTM949EVS-B18	Cam Rod		1
19	JTM949EVS-B19	Shift Sleeve		1
20	JTM949EVS-B20	Lock Rod		2
21	JTM949EVS-B21	Spring		3
22	5302731	Socket Set Screw	M8x6	2
23	JTM949EVS-B23	Crank		2
24	BH1/4	Black Plastic Ball	1/4"	3
25	JTM949EVS-B25	Indicator Rod		1
26	JTM949EVS-B26	Indicator Rod Screw		1
27	JTM949EVS-B27	Upper Bushing		1
28	JTM949EVS-B28	Cluster Gear		1
29	KF2R4445	Key	4x4x45	1
31	JTM949EVS-B31	Bevel Gear Shaft		1
32	STW16	Retaining Ring	STW16	2
33	JTM949EVS-B33	Bevel Gear Bushing		1
34	JTM949EVS-B34	Spacer		1
36	JTM949EVS-B36	Feed Drive Gear		1
36A	JTM949EVS-B36A	Feed Drive Gear Assembly (#36,37)		1
37	KF2R5512	Key	5x5x12	1
40	JTM949EVS-B40	Feed Drive Gear		1
41	BB-BA78Z	Needle Bearing	BA78Z	1
42	JTM949EVS-B42	Bushing		1
43	JTM949EVS-B43	Worm		1
44	JTM949EVS-B44	Feed Worm Shaft Bushing		1
47	JTM949EVS-B47	Bevel Gear Thrust Spacer		1
48	JTM949EVS-B48	Bushing		2
49	JTM949EVS-B49	Feed Reverse Bevel Gear		2
50	JTM949EVS-B50	Feed Reverse Clutch		1
55	JTM949EVS-B55	Reverse Clutch Rod		1
56	TS-209203	Spring Pin	3x20	1
57	JTM949EVS-B57	Feed Worm Shaft		1
59	5302611	Spring Pin	3x12	2
60	JTM949EVS-B60	Feed Shift Rod		1
61	TS-1522031	Socket Set Screw	M5x10	1
62	KF2R3315	Key	3x3x15	1
63	JTM949EVS-B63	Feed Gear Shift Fork		1
64	JTM949EVS-B64	Cluster Gear Shift Crank		1
66	JTM949EVS-B66	Cluster Gear Cover		1
67	TS-1502021	Hex Socket Cap Screw	M5x10	4
69	JTM949EVS-B69	Lock Block		1
70	2210-266	Retaining Ring	STW30	1
71	JTM949EVS-B71	Spring	10x20	1
72	JTM949EVS-B72	Quill Housing	105mm	1

Index No	Part No	Description	Size	Qty
73	TS-1502081	Hex Socket Cap Screw	M5x35	2
74	JTM949EVS-B74	Clutch Ring Pin		2
75	JTM949EVS-B75	Clutch Ring		1
76	5302731	Socket Set Screw	M8x6	2
77	JTM949EVS-B77	Handle		1
78	JTM949EVS-B78	Overload Clutch Lockout		1
79	JTM949EVS-B79	Safety Clutch Spring		1
80	JTM949EVS-B80	Overload Clutch		1
80A	JTM949EVS-B80A	Overload Clutch Assembly (#78,80,81)		
81	JTM949EVS-B81	Overload Clutch Sleeve		1
82	KF2R5516	Key	5x5x16	1
83	TS-1532052	Pan Head Machine Screw	M4x16	3
85	TS-1523031	Socket Set Screw	M6x10	2
86	JTM949EVS-B86	Worm Shaft		1
87	TS-1523011	Set Screw	M6x6	1
88	JTM949EVS-B88	Spring		1
89	JTM949EVS-B89	Spring Plunger		1
90	JTM949EVS-B90	Pinion Shaft		1
91	JTM949EVS-B91	Spacer		1
92	JTM949EVS-B92	Overload Clutch Worm Gear		1
93	JTM949EVS-B93	Overload Clutch Ring		1
94	STW22	Retaining Ring	STW22	1
95	JTM949EVS-B95	Worm Gear		1
96	JTM949EVS-B96	Trip Lever		1
96-1	GA7X-122	Spring Pin	Ø5x20	1
97	JTM949EVS-B97	Washer		1
98	STW10	Retaining Ring	STW10	1
99	JTM949EVS-B99	Clutch Arm Cover		1
100	TS-1523051	Socket Set Screw	M6x16	1
101	TS-2311061	Hex Nut	M6	1
102	5625391	Spring Pin	Ø5x16	1
103	JTM949EVS-B103	Cam Rod		1
104	JTM949EVS-B104	Trip Handle		1
105	5302731	Socket Set Screw	M8x6	1
106	JTM949EVS-B106	Feed Trip Bracket		1
107	TS-1503051	Hex Socket Cap Screw	M6x20	2
108	JTM949EVS-B108	Plunger		1
109	KF2R3312	Key	3x3x12	1
110	JTM949EVS-B110	Feed Reverse Stud Bolt		1
110A	JTM949EVS-B110A	Feed Reverse Stud Assembly (#110,111,112)		
111	JTM949EVS-B111	Feed Reverse Stud		1
112	ETW6	Retaining Ring	ETW6	1
113	JTM949EVS-B113	Handwheel Clutch		1
114	SB-3/16	Steel Ball	3/16"	2
115	JTM949EVS-B115	Spring		2
116	JTM949EVS-B116	Lever		1
117	JTM949EVS-B117	Spring Pin	Ø3x16	1
118	JTM949EVS-B118	Cam Rod Sleeve Assembly		1
119	TS-1523011	Socket Set Screw	M6x6	2
120	JTM949EVS-B120	Flat Washer	Ø13	4
121	JTM949EVS-B121	Trip Plunger		1
122	JTM949EVS-B122	Adjustable Spring		1
123	JTM949EVS-B123	Bushing		1
124	JTM949EVS-B124	Feed Trip Plunger		1
125	JTM949EVS-B125	Handwheel		1
125A	JTM949EVS-B125A	Handwheel Assembly (#125,126)		
126	JTM949EVS-B126	Handle		1
127	JTM949EVS-B127	Spindle	R8	1
128	JTM949EVS-B128	Quill Skirt		1
129	JTM949EVS-B129	Lock Nut	M35	1
130	JTM949EVS-B130	Spring Cover		1

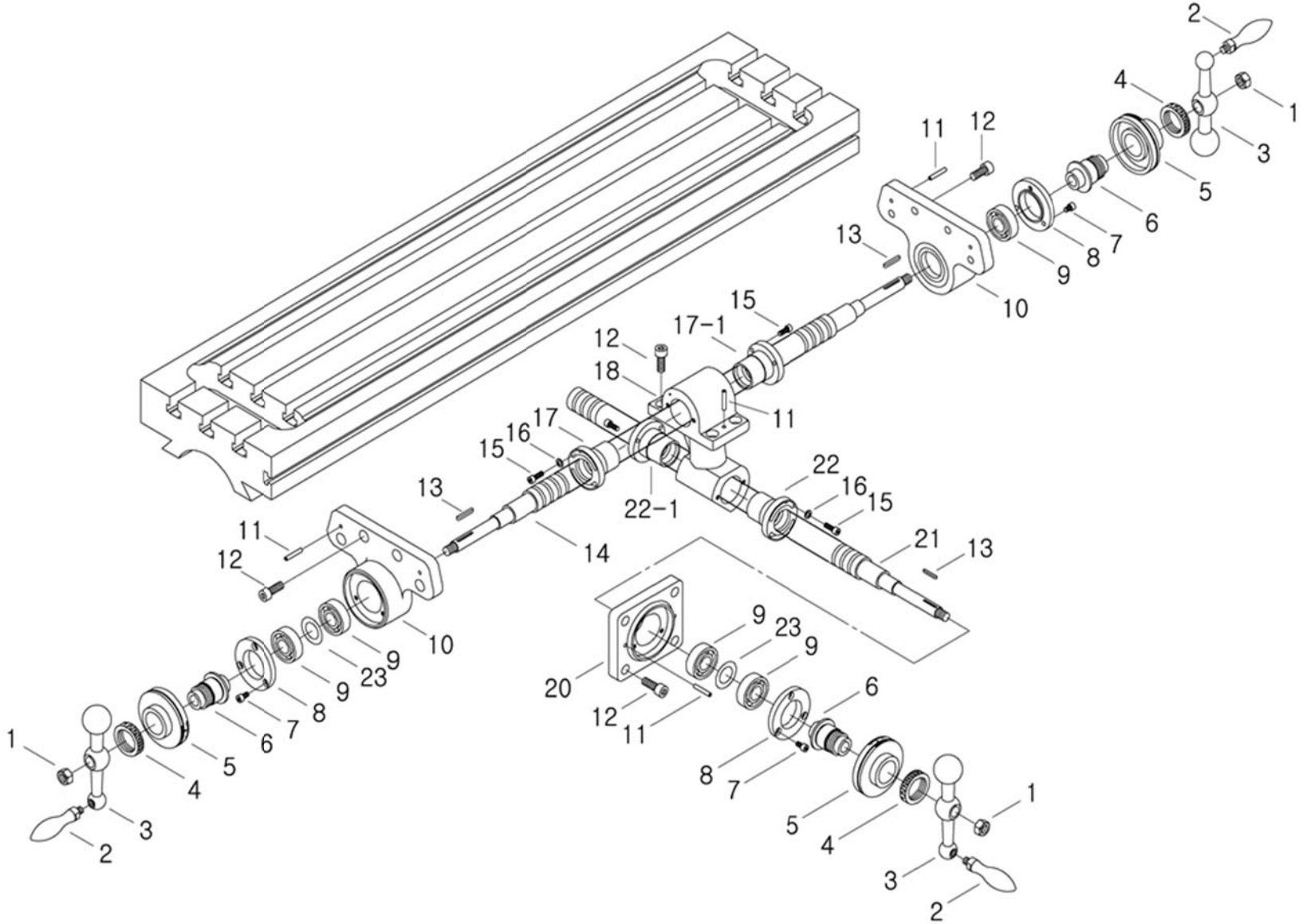
Index No	Part No	Description	Size	Qty
131	BB-6206ZZ	Ball Bearing	6206ZZ	1
132	JTM949EVS-B132	Hub Sleeve		1
133	JTM949EVS-B133	Nose Piece		1
134	JTM949EVS-B134	Spindle Shield		1
135	BB-7207C	Ball Bearing	7207C	2
136	JTM949EVS-B136	Bearing Spacer (large)		1
136A	JTM949EVS-B136A	Bearing Spacer Assembly (#136,137)		
137	JTM949EVS-B137	Bearing Spacer (small)		1
138	JTM949EVS-B138	Hub		1
139	TS-0270011	Socket Set Screw	5/16"x1/4"	1
140	TS-1523011	Socket Set Screw	M6x6	1
141	JTM949EVS-B141	Pinion Shaft Hub		1
142	JTM949EVS-B142	Quill		1
143	TS-1540021	Hex Nut	M4	1
144	TS-1521071	Socket Set Screw	M4x20	1
145	JTM949EVS-B145	Feed Trip Lever		1
146	JTM949EVS-B146	Trip Lever Pin		1
147	KF2R5525	Key	5x5x25	1
148	JTM949EVS-B148	Quill Lock Sleeve		1
148-1	JTM949EVS-B148-1	Spring		1
149	JTM949EVS-B149	Lock Handle		1
150	TS-1533032	Pan Head Screw	M5x10	2
151	JTM949EVS-B151	Washer		1
152	JTM949EVS-B152	T-type Pin		1
153	JTM949EVS-B153	Quill Lock Sleeve		1
154	JTM949EVS-B154	Quill Pinion Shaft		1
154A	JTM949EVS-B154A	Quill Pinion Shaft Assembly (#152,154)		
155	JTM949EVS-B155	T-Bolt Assembly		4
156	JTM949EVS-B156	Spacer		4
157	JTM949EVS-B157	Lock Nut		4
158	TS-2171012	Pan Head Screw	M4x6	2
159	JTM949EVS-B159	Micrometer Scale		1
160	TS-0209032	Hex Socket Cap Screw	3/8"-24UNFx3/4"	1
162	JTM949EVS-B162	Micrometer Nut		1
163	JTM949EVS-B163	Quill Stop Knob		1
164	JTM949EVS-B164	Quill Micro-Screw		1
165	TS-1502051	Hex Socket Cap Screw	M5x20	1
166	TS-1540031	Hex Nut	M5	1
171	KF2R4418	Key	4x4x18	1

13.4.2 JTM-1050EVS Base Machine – Parts List

Index No	Part No	Description	Size	Qty
1	TS-2249252	Socket Head Button Screw	M10x25	4
2	JTM949EVS-C31	Bushing		2
3	JTM949EVS-C30	Nut		2
4	JTM1050EVS2-C04	Table	10"x50"	1
5	JTM1050EVS2-C05	Flat Way Cover		1
6	TS-2245102	Socket Head Button Screw	M5x10L	24
6-1	TS-2245162	Socket Head Button Screw	M5x16L	4
7	JTM1050EVS2-C07	T Rubber	16x32mm	6
8	JTM949EVS-C34	Adjust Screw	M8x37L	6
9	JTM1050EVS2-C09	Table Gib		1
10	JTM1050EVS2-C10	Saddle		1
11	JTM1050EVS2-11	Handle	M12x50L	1
12	JTM1050EVS2-C12	Lock Pin	10x115L	1
13	JTM1050EVS2-C13	Limiter		1
14	TS-1504041	Hex Socket Cap Screw	M8x20L	2
15	JTM1050EVS2-C15	Locker		2
16	JTM1050EVS2-16	Spring		2
17	JTM1050EVS2-17	Handle	M12x103L	2
18	JTM1050EVS2-18	Pin		2
19	JTM1050EVS2-19	Saddle Knee Gib		1
20	JTM1050EVS2-20	Lock Screw		2
21	TS-1524031	Socket Set Screw	M8x12L	2
22	JTM1050EVS2-22	Front Wiper		1
22-1	JTM1050EVS2-22-1	Rear Wiper		1
23	JTM1050EVS2-23	Pleated Way Cover		1
24	JTM1050EVS2-24	Shaft		1
25	JTM1050EVS2-25	Washer		2
26	JTM949EVS-C07	Worm		1
27	TS-1523021	Socket Set Screw	M6x8L	1
28	KF2R5549	Key	5x5x49L	1
29	JTM1050EVS2-C29	Lifting Ring	M30	1
	JTM1050EVS2-C29A	Lifting Ring (serial no. 1603010 and higher)	M20	1
30	JTM1050EVS2-30	Ram		1
30-1	JTM1050EVS2-30-1	Plate		1
31	JTM1050EVS2-31	Washer	Ø12	3
32	JTM1050EVS2-32	Adapter Locking Bolt		3
33	6293347	Spring Pin	Ø3x16L	1
34	JTM1050EVS2-34	Adapter Shaft		1
35	RN2L6	Rivet	Ø2x6L	12
36	JTM949EVS-C12	Angle Scale		1
37	JTM949EVS-C06	Adapter Scale		1
38	TS-1521021	Set Screw	M4x6L	1
39	JTM1050EVS2-39	Lock Nut		1
40	JTM1050EVS2-C40	Ram Adapter		1
40-1	JTM1050EVS2-C40-1	Lock Stud		1
41	JTM949EVS-C02	Worm Gear		1
42	AB1012W-A83	Spring Pin	Ø6x30L	1
43	TS-1504061	Hex Socket Cap Screw	M8x30L	2
45	JTM1050EVS2-45	Knee Wiper (Left)		1
46	JTM1050EVS2-46	Knee Wiper (Right)		1
47	JTM1050EVS2-47	Gib		1
48	JTM949EVS-C48	Lock Handle Assembly	M12x25L	2
49	JTM1050EVS2-49	Lock Pin	10x35L	2
50	JTM1050EVS2-50	Knee		1
51	JTM949EVS-C48	Chip Guard (Bottom)	580mm L	1
52	JTM949EVS-C49	Chip Guard (Middle)	470mm L	1
53	JTM949EVS-C41	Chip Guard (Top)	360mm L	1
54	JTM1050EVS2-54	Gib		2
55	JTM1050EVS2-55	Gib Holder		2
56	TS-1504111	Hex Socket Cap Screw	M8x55L	6
57	JTM1050EVS2-57	Set Screw	M10x30L	6
58	TS-2361101	Spring Washer	M10	6
59	TS-2311101	Hex Nut	M10	6
60	JTM1050EVS2-60	Wiper (R)		2

Index No	Part No	Description	Size	Qty
61	JTM1050EVS2-61	Wiper (L)		2
62	TS-1523021	Set Screw	M6x8L	2
63	JTM949EVS-C74	Bevel Gear	18T	1
64	BB-6004ZZ	Bearing	6004ZZ	1
65	KF2R5520	Key	5x5x20L	1
66	JTM1050EVS2-66	Elevating Shaft		1
67	KF2R4420	Key	4x4x20L	1
68	BB-6204ZZ	Bearing	6204ZZ	1
69	JTM949EVS-C68	Housing		1
70	TS-1503041	Hex Socket Cap Screw	M6x16L	3
71	JTM949EVS-C67	Dial Holder		1
72	JTM949EVS-C66	Dial (Inch)	100/0.001"	1
73	JTM949EVS-C65	Dial Lock Nut		1
74	JTM949EVS-C64	Clutch Insert		1
75	JTM1050EVS2-75	Elevating Crank		1
76	JTM949EVS-C62	Handle		1
77	JTM1050EVS2-77	Lock Shaft		1
78	JTM1050EVS2-78	Handle		1
79	JTM1050EVS2-79	Turret Gib		1
80	JTM1050EVS2-80	Turret		1
81	SNH12L165	Hex Cap Screw	M12x165L	4
82	TS-2361121	Spring Washer	Ø12	4
83	TS-1525041	Socket Set Screw	M10x20L	1
84	JTM1050EVS2-84	Locking Bolt		2
85	JTM1050EVS2-85	Table Lock Piece		2
86	TS-155009	Flat Washer	M14	2
87	TS-154009	Hex Nut	M14	2
88	JTM1050EVS2-88	Ram Pinion		1
91	JTM1050EVS2-91	Locker Screw		2
92	TS-1524011	Socket Set Screw	M8x8L	2
93	JTM949EVS-C81	Turret Scale		1
94	JTM949EVS-C27	Spider		1
95	JTM949EVS-C28	Column		1
96	TS-1503031	Socket Head Button Screw	M6x12L	4
97	JTM949EVS-C86	Cover		1
98	JTM949EVS-C87	Strainer Net		2
99	TS-1503041	Hex Socket Cap Screw	M6x16L	3
100	JTM949EVS-C53	Lead Screw Nut	Ø32 x 5 tpi	1
101	JTM949EVS-C52	Brass Nut		1
102	TS-1505051	Hex Socket Cap Screw	M10x35L	2
103	TS-2361101	Lock Washer	M10	2
104	TS-1540071	Hex Nut	M10	1
105	SH(PT)1/2B	Oil Plug	1/2"PT	3
106	JTM949EVS-C106	Chip Pan		1
107	TS-1503031	Hex Socket Cap Screw	M6x12L	2
108	TS-1550041	Flat Washer	M6	2
109	TS-0561052	Hex Nut	1/2-20UNF	1
110	TS-2361121	Spring Washer	Ø12	1
111	JTM949EVS-C58	Bevel Gear	36T	1
112	JTM949EVS-C44	Washer		1
113	BB-6205ZZ	Bearing	6205ZZ	1
114	BTH51305	Thrust bearing	51305	1
115	TS-1503051	Hex Socket Cap Screw	M6x20L	3
116	TS-0720111	Spring Washer	Ø13	1
117	KF2R5525	Key	5x5x25L	1
118	JTM949EVS-C61	Lead Screw (Inch)	Ø32 x 5 tpi	1
122	JTM949EVS-C84	Side Cover		1
123	JET-254	JET Logo	254x105 mm	2
124	LM000003	ID/Warning Label (JTM-1050EVS2)		1
	JTM1050EVS2-TB	Tool Box Kit Complete (not shown)		

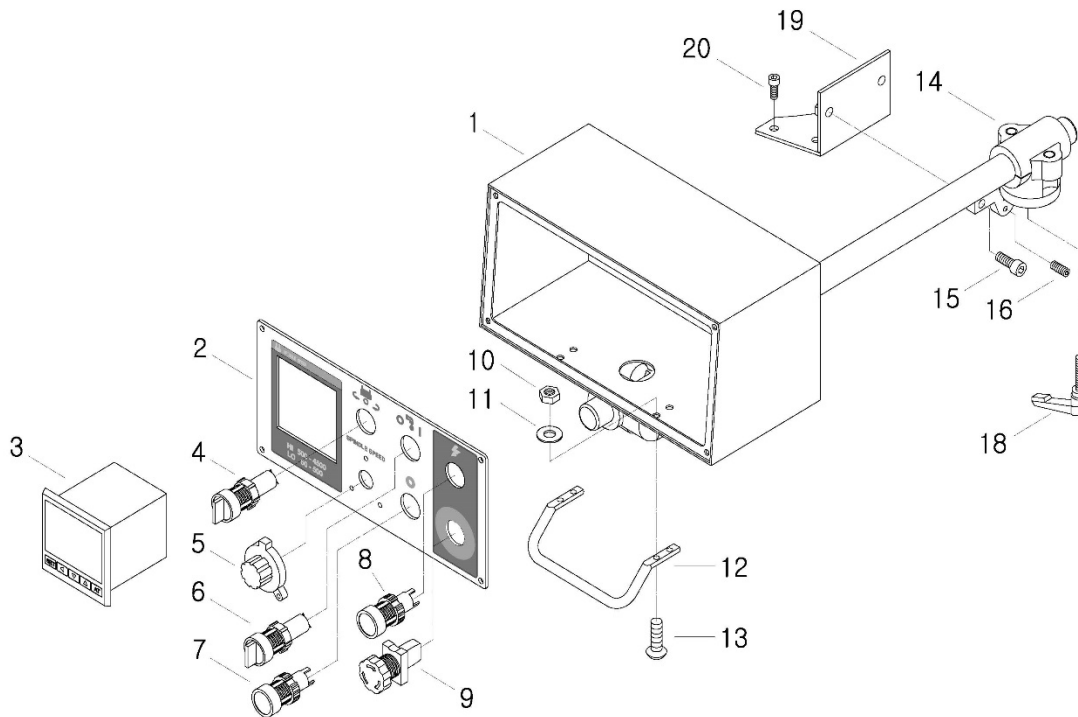
13.6.1 JTM-1050EVS Table Assembly – Exploded View



13.6.2 JTM-1050EVS Table Assembly – Parts List

Index No	Part No	Description	Size	Qty
1	TS-0561052	Hex Nut	1/2"-20UNF	3
2	JTM949EVS-D02	Handle	3/8"	3
3	JTM949EVS-D03	Ball Crank		3
4	JTM949EVS-D04	Dial Nut		3
5	JTM949EVS-D05	Dial (Inch)	200/0.001"	3
6	JTM949EVS-D06	Dial Holder		3
7	TS-1503031	Hex Socket Cap Screw	M6x12	9
8	JTM949EVS-D08	Cover		3
9	BB-6204	Ball Bearing	6204ZZ	5
10	JTM949EVS-D10	Bearing Bracket		2
11	5311251	Spring Pin	Ø5x30	6
12	TS-1505031	Hex Socket Cap Screw	M10x25	16
13	KF2R3325	Key	3x3x25	3
14	JTM1050EVS2-D14	Longitudinal Feed Screw	Ø32 x 5 TPI	1
15	TS-1503041	Hex Socket Cap Screw	M6x16	10
16	TS-1550041	Flat Washer	M6	4
17	JTM949EVS-D17	Longitudinal Feed Adjustment Nut (inch)	Ø32 x 5 TPI	1
17-1	JTM949EVS-D17-1	Feed Screw Nut (inch)	Ø32 x 5 TPI	1
18	JTM949EVS-D18	Feed Nut Bracket		1
20	JTM949EVS-D20	Cross Feed Bearing Bracket		1
21	JTM1050EVS2-D21	Cross Feed Screw	Ø32 x 5 TPI	1
22	JTM949EVS-D22	Cross Feed Adjustment Nut (inch)	Ø32 x 5 TPI	1
22-1	JTM949EVS-D22-1	Cross Feed Nut (inch)	Ø32 x 5 TPI	1
23	JTM949EVS-D23	Adjusting Washer	Ø45xØ34x0.15t	2

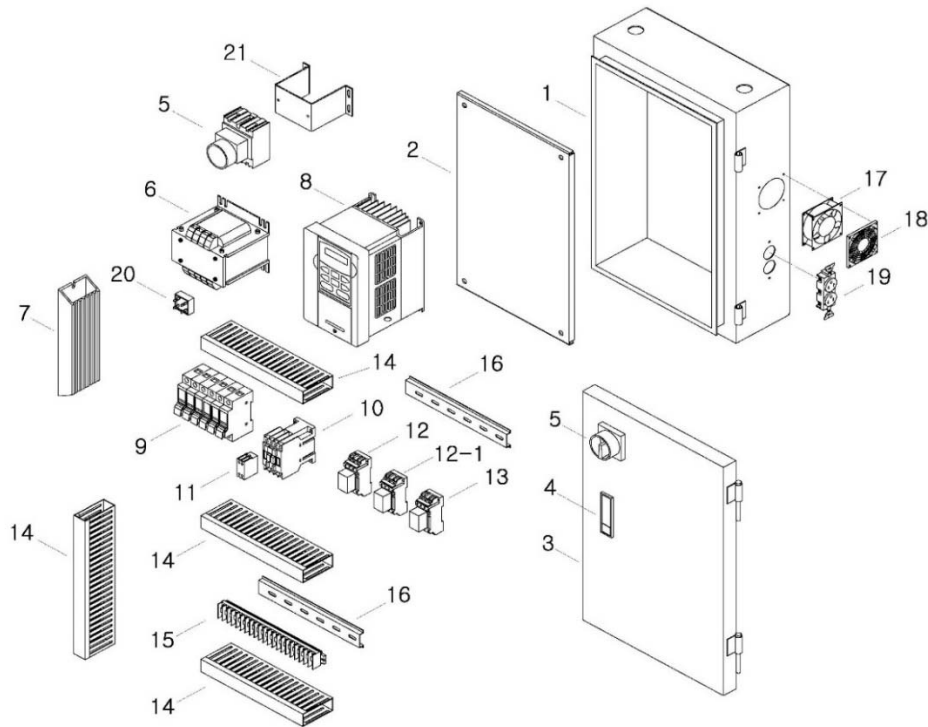
13.7.1 JTM-949EVS/JTM-1050EVS Control Panel Assembly – Exploded View



13.7.2 JTM-949EVS/JTM-1050EVS Control Panel Assembly – Parts List

Index No	Part No	Description	Size	Qty
.....	JTM949EVS-CBA	Control Box Assembly (includes #1~9 and 21).....		1
1	JTM949EVS-E01	Control Box.....		1
2	LM000004	Control Panel.....		1
3	JTM949EVS-E03	Display.....		1
4	JTM949EVS-E04	F/R Select Switch.....		1
5	JTM949EVS-E05	Speed Adjuster.....		1
6	JTM949EVS-E06	Coolant Pump Switch.....		1
7	JTM949EVS-E07	Spindle Stop Button.....		1
8	JTM949EVS-E08	Power Start Button.....		1
9	JTM949EVS-E09	Emergency Switch.....		1
10	TS-1540031	Hex Nut.....	M5	4
11	TS-1550031	Flat Washer.....	Ø5	4
12	JTM949EVS-E12	Handle.....		1
13	TS-2245162	Socket Head Button Screw.....	M5x16	4
14	JTM949EVS-E14	Support Rod Unit.....		1
15	TS-1504051	Hex Socket Cap Screw.....	M8X25	2
16	TS-1523031	Socket Set Screw.....	M6x10	3
17	TS-1550071	Flat Washer.....	Ø10	1
18	JTM949EVS-E18	Lock Handle.....	M12x35	1
19	JTM949EVS-E19	Bracket.....		1
20	TS-1523051	Hex Socket Cap Screw.....	M6x16L	3
21	JTM949EVS-A101	Cable (Control Panel to Elec Box) – not shown.....		1

13.8.1 JTM-949EVS/JTM-1050EVS Electrical Box – Exploded View

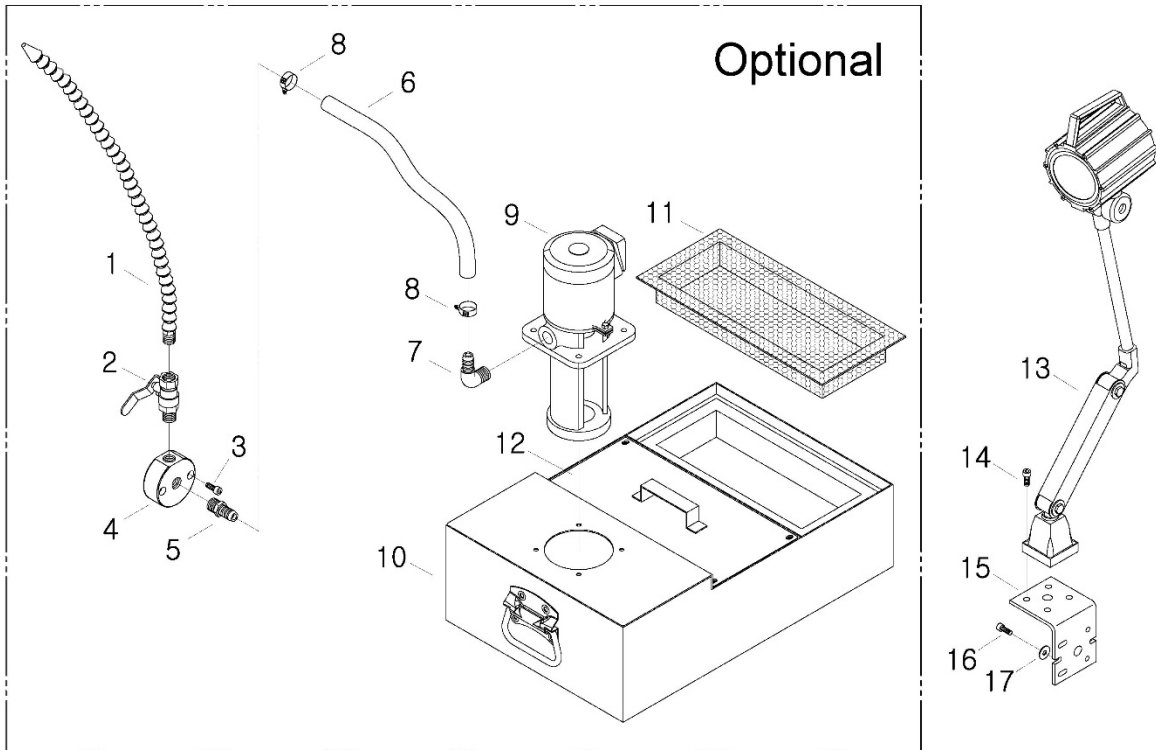


13.8.2 JTM-949EVS/JTM-1050EVS Electrical Box – Parts List

Index No	Part No	Description	Size	Qty
1	JTM949EVS-F01	Electrical Cabinet (RE: JTM949EVS-F21)		1
2	JTM949EVS-F02	Electrical Plate (RE: JTM949EVS-F21)		1
3	JTM949EVS-F03	Electrical Cabinet Door (RE: JTM949EVS-F21)		1
	JTM949EVS-EBC	Electrical Box Compound (includes #1-3)		1
4	JTM949EVS-F04	Door Latch		1
5	JTM949EVS-F05	Door Switch		1
6	JTM949EVS-F06	Transformer	400VA	1
7	JTM949EVS-F07	Resistor	300W, 100 Ω	1
8	JTM949EVS-F08	Inverter	VFD-B 022B21A	1
	JTM949EVS4-F08	Inverter	VFD022B43B	1
9	JTM949EVS-F09	Fuse Base		6
	JTM949EVS-F20A	Fuse (TC)	25A	3
	JTM949EVS4-F12A	Fuse (TC)	12A	3
	JTM949EVS-F2A	Fuse (220V)	2A	1
	JTM949EVS-F5A	Fuse (110V)	5A	1
	JTM949EVS-F5A	Fuse (24V)	5A	1
10	JTM949EVS-F10	Magnetic Contactor	TECO/CU-18	1
11	JTM949EVS-F11	Auxiliary Contactor	TECO/CUA-2	1
12	JTM949EVS-F12	Relay for Pump RMI A4524VAC	24VAC	1
12-1	JTM949EVS-F12-1	Relay For Power RM1A2024VAC		1
13	JTM949EVS-F13	Relay	24VDC	2
14	JTM949EVS-F14	Wire Casing		4
15	JTM949EVS-F15	Terminal Block		1
16	JTM949EVS-F16	Aluminum Rail		2
17	JTM949EVS-F17	Fan (RE: JTM949EVS-F22)		1
18	JTM949EVS-F18	Fan Cover (RE: JTM949EVS-F22)		1
19	JTM949EVS-F19	Electric Receptacle		1
20	JTM949EVS-F20	Rectifier		1
21	JTM949EVS-F21	Switch Bracket		1
	JTM949EVS-F22	Fan Assembly (#17,18)		1

13.9.1 JTM-949EVS/JTM-1050EVS Coolant Pump (Optional) – Exploded View

13.10.1 JTM-949EVS/JTM-1050EVS Work Lamp – Exploded View



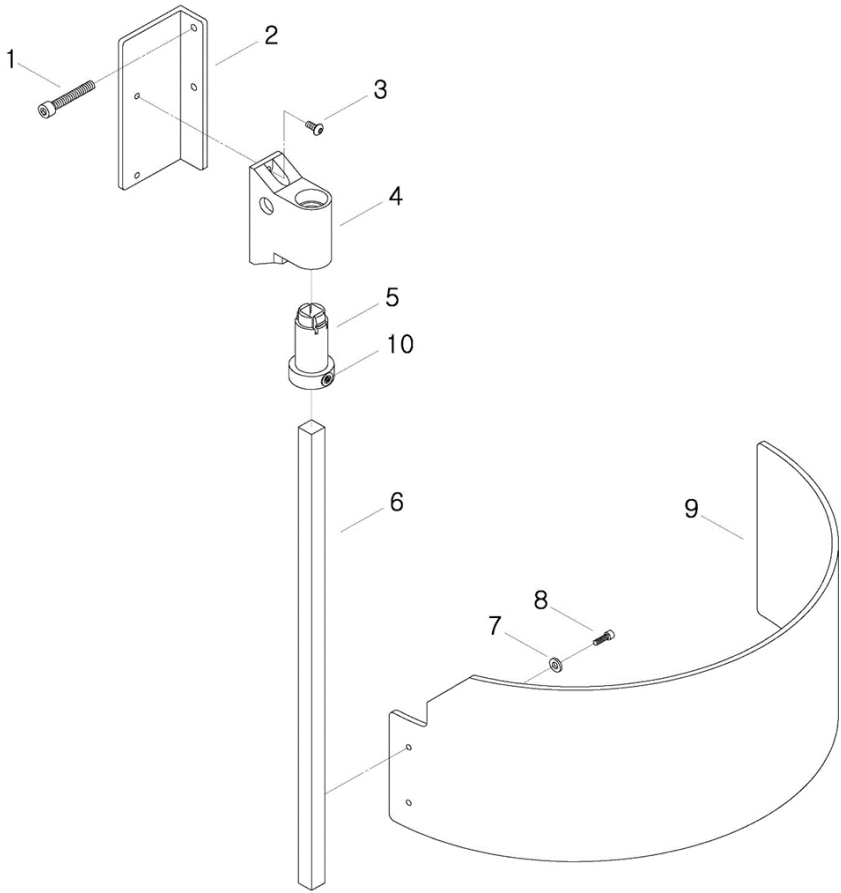
13.9.2 JTM-949EVS/JTM-1050EVS Coolant Pump (Optional) – Parts List

Index No	Part No	Description	Size	Qty
.....	660125	Coolant Pump Kit (includes #1 thru 12)
1	JTM949EVS-G01	Plastic Nozzle	1
2	JTM949EVS-G02	Valve	PT 3/8" x 1/2"	1
3	TS-1503091	Hex Socket Cap Screw	M6 x 40	2
4	JTM949EVS-G04	Block	1
5	JTM949EVS-G05	Hose Fitting	PT 3/8" x 1/2"	1
6	JTM949EVS-G06	Hose	1/2"	1
7	JTM949EVS-G07	Hose Fitting	PT 3/8" x 1/2" (90°)	1
8	JTM949EVS-G08	Hose Clamp	5/6" (11 ~ 20)	2
9	JTM949EVS-G09	Coolant Pump	1/8HP	1
10	JTM949EVS-G10	External Coolant Tank	1
11	JTM949EVS-G11	Strainer	1
12	JTM949EVS-G12	Cover with handle	1

13.10.2 JTM-949EVS/JTM-1050EVS Work Lamp – Parts List

13	JTM949EVS-G13	Work Lamp	24V / LED	1
14	TS-1502041	Hex Socket Cap Screw	M5X16	4
15	JTM949EVS-G15	Work Light Bracket	1
16	TS-1503041	Hex Socket Cap Screw	M6X16	6
17	TS-1550041	Flat Washer	M6	6
18	JTM949EVS-G18	LED Bulb (not shown)	24V	1

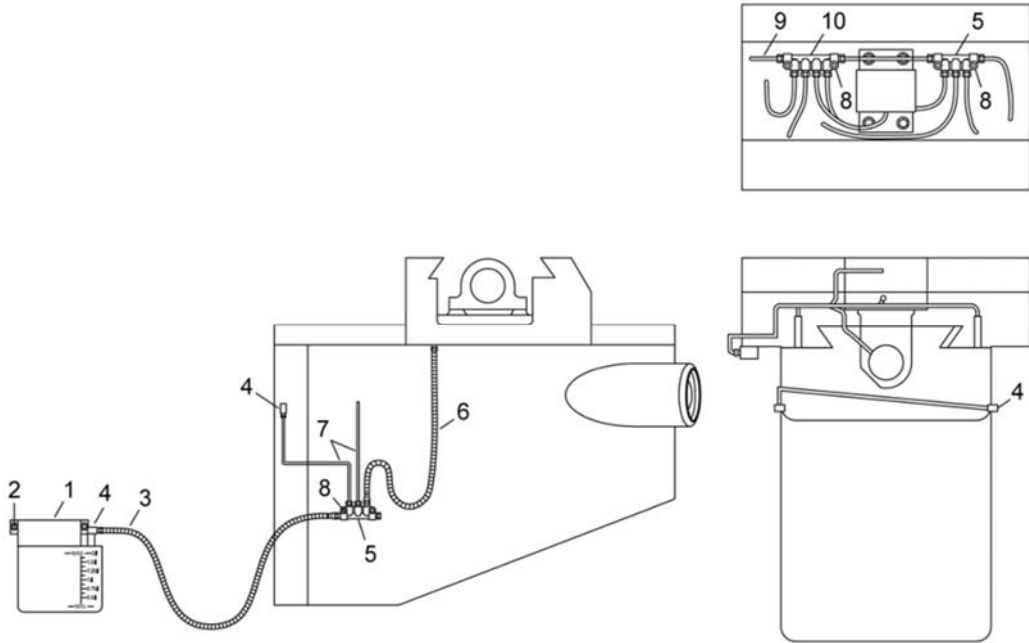
13.11.1 JTM-949EVS/JTM-1050EVS Spindle Guard Assembly – Exploded View



13.11.2 JTM-949EVS/JTM-1050EVS Spindle Guard Assembly – Parts List

Index No	Part No	Description	Size	Qty
	JTM949EVS-SGA	Spindle Guard Assembly (#1 thru 9)		
1	TS-1502101	Hex Socket Cap Screw	M5x45	2
2	JTM949EVS-H02	Support Plate		1
3	TS-2245102	Socket Head Button Screw	M5x10	2
4	JTM949EVS-H04	Bushing Bracket (Re: JTM949EVS-H04A)		1
	JTM949EVS-H04A	Bushing Bracket Assembly (includes #4,5)		1
5	JTM949EVS-H05	Bushing		1
6	JTM949EVS-H06	Support Rod		1
7	TS-1550031	Washer	Ø5	2
8	TS-1502031	Hex Socket Cap Screw	M5x12	2
9	JTM949EVS-H09	Spindle Guard		1
10	TS-1522021	Socket Set Screw	M5x8	1

13.13.1 JTM-1050EVS Lubrication System Assembly – Exploded View



13.13.2 JTM-1050EVS Lubrication System Assembly – Parts List

Index No	Part No	Description	Size	Qty
1	JTM949EVS-J01	Automatic Oiler	2L, 0~180min	1
2	TS-1503061	Hex Socket Cap Screw	M6x25L	2
3	JTM949EVS-J03	Flexible Steel Tube	Ø4	1
4	JTM949EVS-J04	Elbow Adaptor	Ø4	3
5	JTM949EVS-J05	Oil Distributor	Ø4, 4 holes	2
6	JTM949EVS-J06	Flexible Steel Tube		1
7	JTM949EVS-J07	Aluminum Pipe	Ø4	2
8	TS-1502061	Hex Socket Cap Screw	M5x25L	6
9	JTM1050EVS2-J09	Plastic Tube	Ø4	10
10	JTM1050EVS2-J10	Oil Distributor	Ø4, 6 holes	1
	JTM1050EVS2-J10A	Oil Distributor Kit (incl. #3,5,6,10)		