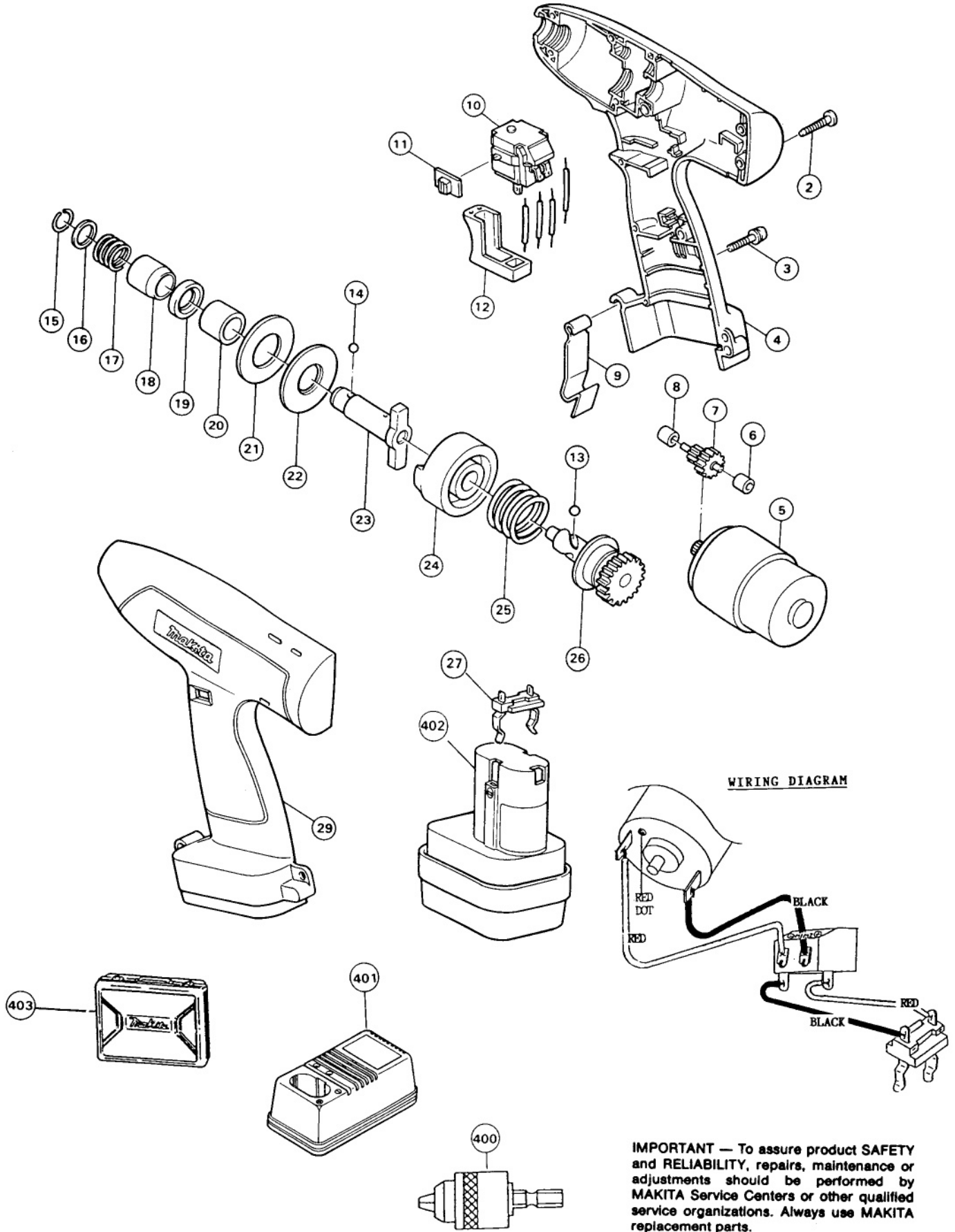




CORDLESS IMPACT DRIVER

MODEL 6903VD
MODEL 6903VDW



WIRING DIAGRAM

IMPORTANT — To assure product **SAFETY** and **RELIABILITY**, repairs, maintenance or adjustments should be performed by **MAKITA** Service Centers or other qualified service organizations. Always use **MAKITA** replacement parts.

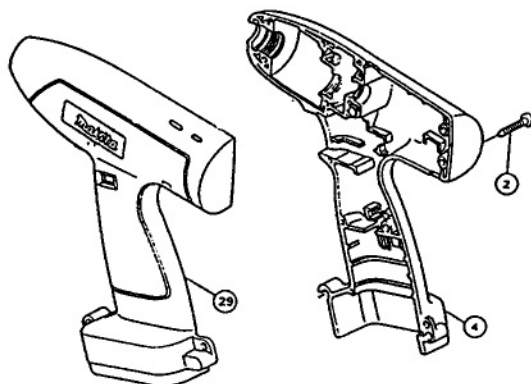
Fig.	Part No.	Qty. Used	Description	Fig.	Part No.	Qty. Used	Description
2	265925-7	*	TAPPING SCREW BT4x20	19	213151-2	1	OIL SEAL 14
3	911143-2	1	P. H. SCREW M4x22	20	257629-5	1	SLEEVE 14
4	*	1	HOUSING SET (INCL. FIG. 29)	21	261075-6	1	RUBBER WASHER 20
5	629577-2	1	MOTOR 9.6V (WITH S. GEAR 15: 221882-9)	22	267062-3	1	F. WASHER 14
6	214027-6	1	PLANE BEARING 4	23	322458-6	1	ANVIL
7	226105-0	1	GEAR COMPLETE 11-37	24	322259-2	1	HAMMER
8	214027-6	1	PLANE BEARING 4	25	231463-1	1	COMP. SPRING 24
9	343579-1	1	SET PLATE	26	153205-2	1	SPINDLE CPL.
10	651909-5	1	SWITCH	27	643918-8	1	BATTERY HOLDER
11	414740-8	1	LEVER	29	*	1	HOUSING SET (INCL. FIG. 4)
12	414708-4	1	SWITCH LEVER	ACCESSORIES			
13	216011-7	2	STEEL BALL 5.6	400	192048-7	1	KEYLESS DRILL CHUCK
14	216001-0	2	STEEL BALL 3.5	401	113103-2	1	7.2V / 9.6V CHARGER
15	231951-8	1	RING SPRING 11	402	192019-4	1	BATTERY (9100)
16	267085-1	1	F. WASHER 12	403	182367-A	1	PLASTIC CARRYING CASE
17	233005-7	1	COMP. SPRING 13				
18	322434-0	1	SLEEVE				

* SEE SERVICE CHANGE 1

SERVICE CHANGE

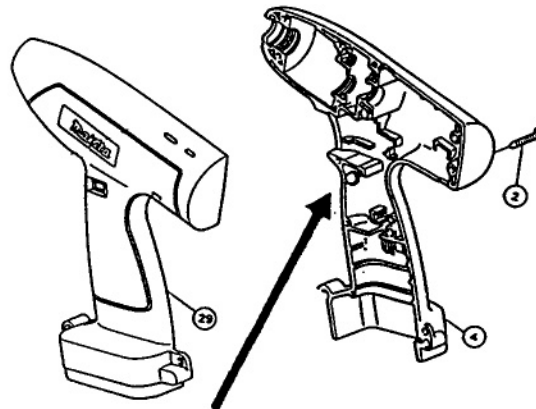
1. Change on Housing.

TYPE 1



Uses 9 Tapping Screws

TYPE 2



Added 1 more Tapping Screw

FIG.	DESCRIPTION	TYPE 1	TYPE 2
2	Tapping Screw BT4x20	Part # 265925-7 Uses 9 ea.	Part # 265925-7 Uses 10 ea.
4, 29	Housing Set	Part # 182640-7 (Discontinued)	Part # 182804-3

The above parts are interchangeable as a set.