



SERVICE PARTS LIST

BULLETIN NO.
54-27-0641

SPECIFY CATALOG NO. AND SERIAL NO. WHEN ORDERING PARTS		REVISED BULLETIN	DATE
16 GAUGE NIBBLER		54-27-0640	Mar. '93
CATALOG NO.	6890	WIRING INSTRUCTION	
STARTING SERIAL NO.	734-12081	58-01-0309	

EXAMPLE:
Component Parts (Small #)
Are Included When Ordering
The Assembly (Large #).

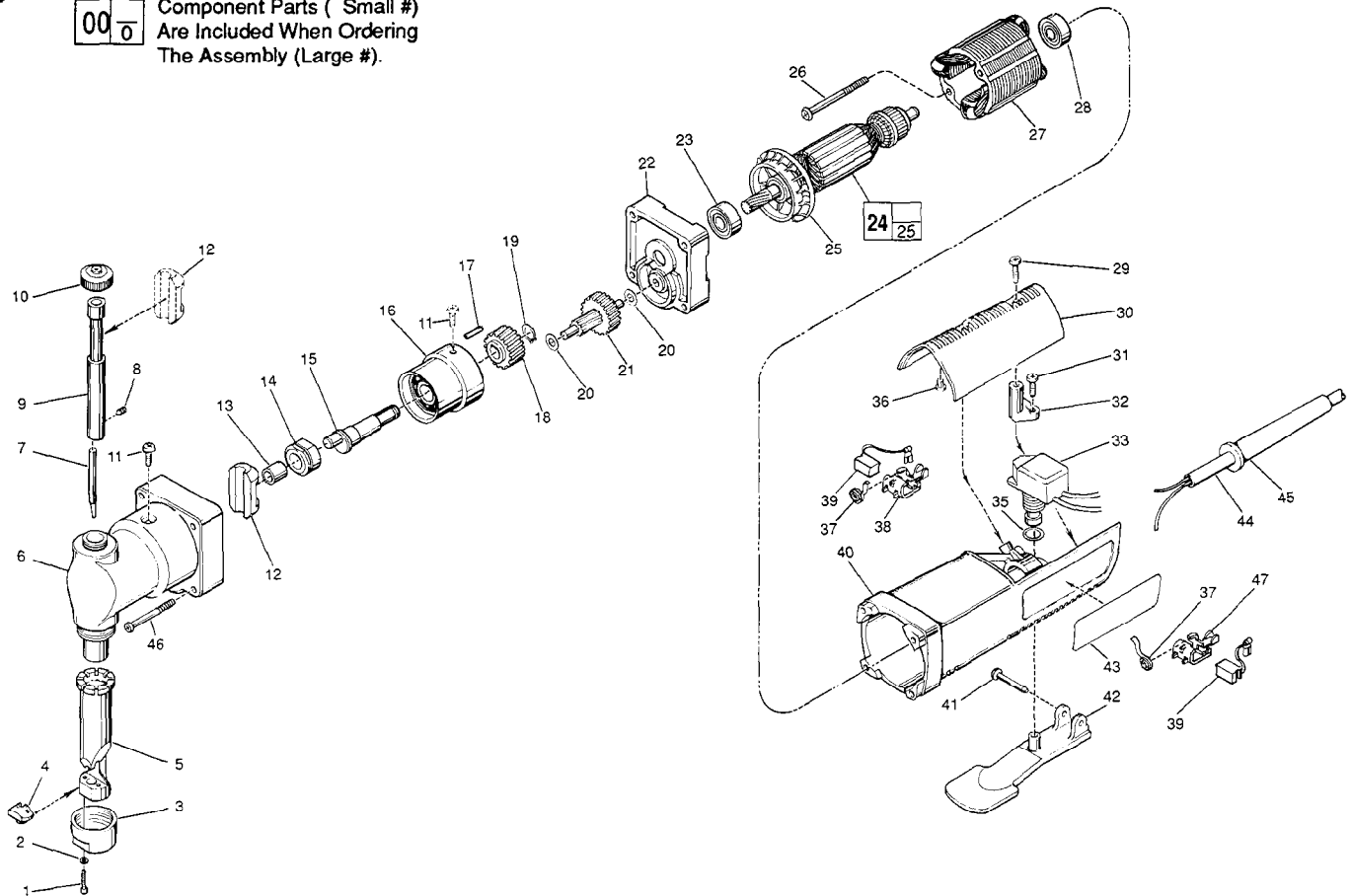


FIG.	PART NO.	DESCRIPTION OF PART	NO. REQ.
1	05-74-0300	Socket Head Cap Screw	(2)
2	05-90-0003	Lockwasher	(2)
3	44-86-0450	Retainer	(1)
4	48-44-0270	Die	(1)
5	43-72-0150	Die Holder	(1)
6	28-14-1860	Gear Case	(1)
7	48-44-0260	Punch	(1)
8	05-86-0508	Socket Set Screw	(1)
9	44-62-0170	Piston	(1)
10	42-52-0310	Metal Cap	(1)
11	05-81-0720	Screw	(1)
12	42-50-0190	Cam Guide	(1)
13	02-50-2460	Needle Bearing	(1)
14	42-50-0200	Cam Holder	(1)
15	43-16-0190	Eccentric	(1)
16	43-72-0140	Bearing Holder - Complete	(1)
17	43-96-0140	Square Key	(1)
18	32-30-0050	Drive Gear	(1)
19	34-60-2355	External Snap Ring	(1)
20	45-88-7925	Thrust Washer	(2)
21	32-40-1960	Intermediate Gear & Shaft Assembly	(1)
22	28-28-1790	Diaphragm With Bushing	(1)
23	02-04-0847	Ball Bearing	(1)
24	16-07-0036	120 Volt Armature	(1)
25	22-84-0680	Fan	(1)
26	06-82-7410	8-16 x 1-7/8" Plastite T-20 Screw	(2)
27	18-07-0035	120 Volt Field	(1)
28	02-04-0850	Ball Bearing	(1)
29	06-82-7270	8-16 x 5/8" Plastite T-20 Screw	(2)

FIG.	PART NO.	DESCRIPTION OF PART	NO. REQ.
30	31-15-0140	Cover	(1)
31	06-82-7270	8-16 x 5/8" Plastite T-20 Screw	(2)
32	31-17-0120	Cord Clamp	(1)
★ 33	23-66-2170	Switch	(1)
35	34-40-4015	O-Ring	(1)
36	42-38-0181	Rubber Bumper	(2)
37	23-52-0240	Brush Spring	(2)
38	22-20-0692	Right Brush Holder	(1)
39	22-18-0710	Carbon Brush Assembly	(2)
40	31-50-0310	Motor Housing	(1)
41	06-72-0810	Tapered Rivet	(1)
42	31-92-0225	Trigger Paddle	(1)
43	12-79-5111	Nameplate Blank	(1)
44	22-64-0215	Cord Set	(1)
45	44-76-0110	Cord Protector	(1)
46	06-82-7395	8-16 x 1-3/4" Taptite T-20 Screw	(4)
47	22-20-0691	Left Brush Holder	(1)
	49-96-4725	Plate Wrench	(1)
	49-96-0330	2.5 MM Allen Wrench	(1)

FIG. NOTES

46 Torque to 20-25 in./lbs.

FIG. LUBRICATION

6 3/4 Oz. Type "G" Grease, No. 49-08-4140.

MILWAUKEE ELECTRIC TOOL CORPORATION
13135 W. LISBON RD., BROOKFIELD, WI 53005