



# SERVICE PARTS LIST

**BULLETIN NO.**  
54-44-0630

SPECIFY CATALOG NO. AND SERIAL NO. WHEN ORDERING PARTS		REVISED BULLETIN	DATE
18 GAUGE SHEAR			Sept. '86
CATALOG NO. 6855	STARTING SERIAL NO. 711-1001	WIRING INSTRUCTION 58-01-0306	

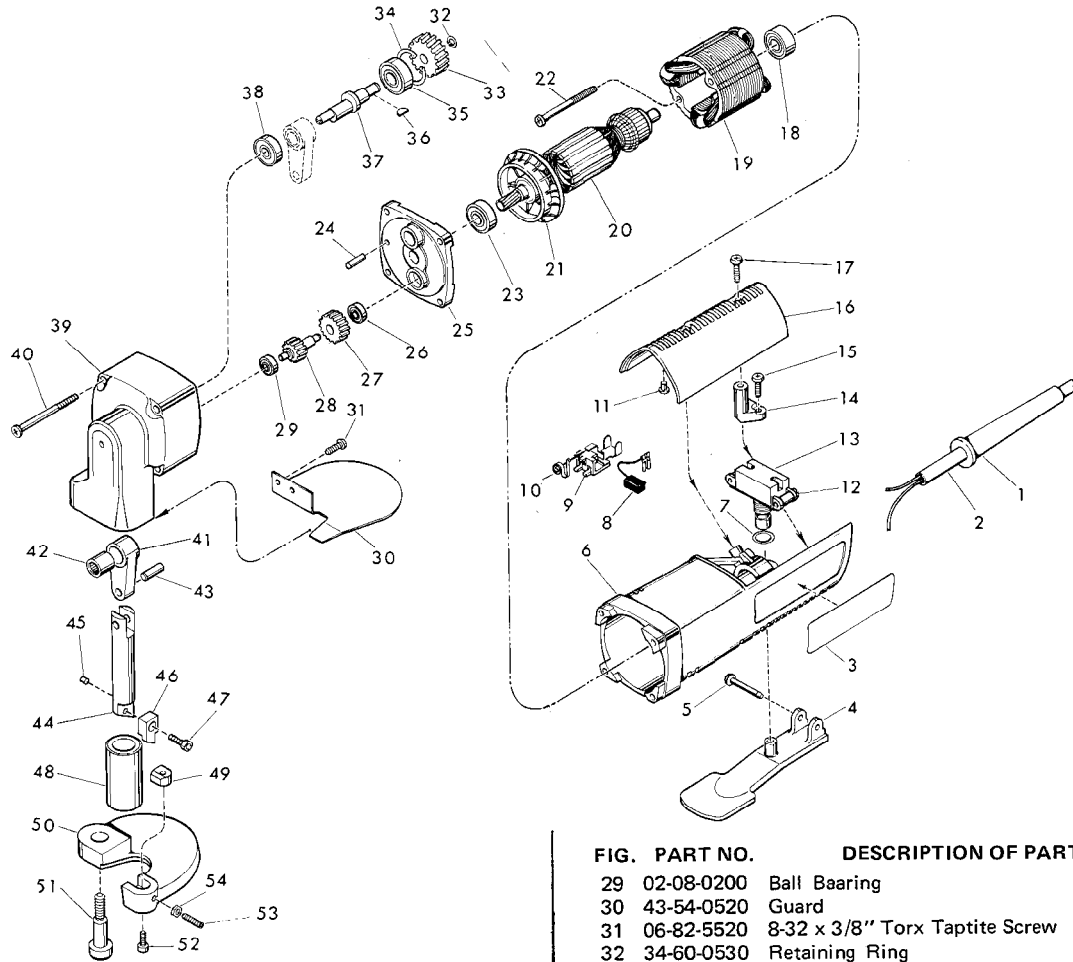


FIG.	PART NO.	DESCRIPTION OF PART	NO. REQ.
	1	44-76-0110 Cord Protector	(1)
	2	22-64-0215 Cord Set	(1)
	3	12-79-5046 Nameplate Blank	(1)
	4	31-92-0225 Trigger Paddle	(1)
	5	06-72-0810 Tapered Rivet	(1)
	6	31-50-0310 Motor Housing	(1)
	7	34-40-4015 O-Ring	(1)
	8	22-18-0710 Carbon Brush Assembly	(2)
	9	22-20-0690 Brush Holder	(2)
	10	23-52-0240 Brush Spring	(2)
	11	42-38-0180 Rubber Bumper	(2)
	12	06-95-0125 Switch Terminal Screw	(2)
	13	23-66-1170 Switch	(1)
	14	31-17-0120 Cord Clamp	(1)
	15	06-82-7270 8-16 x 5/8" Torx Plastite Screw	(2)
	16	31-15-0140 Cover	(1)
	17	06-82-7270 8-16 x 5/8" Torx Plastite Screw	(2)
	18	02-04-0850 Ball Bearing	(1)
	19	18-07-0075 120V Field	(1)
	20	16-07-0070 120V Armature (Incl. Fig. No. 21)	(1)
	21	22-84-0680 Fan	(1)
	22	06-82-7382 8-16 x 1-5/8" Torx Taptite Screw	(2)
	23	02-08-0375 Ball Bearing	(1)
	24	06-65-0825 1/8 x 1/2 Groove Pin No. 5	(1)
	25	28-28-1670 Diaphragm	(1)
	26	02-08-0200 Ball Bearing	(1)
	27	32-40-1910 Intermediate Gear	(1)
	28	36-66-4345 Intermediate Pinion Shaft	(1)

FIG.	PART NO.	DESCRIPTION OF PART	NO. REQ.
	29	02-08-0200 Ball Bearing	(1)
	30	43-54-0520 Guard	(1)
	31	06-82-5520 8-32 x 3/8" Torx Taptite Screw	(2)
	32	34-60-0530 Retaining Ring	(1)
	33	32-30-0040 Drive Gear	(1)
	34	34-80-1505 Internal Retaining Ring	(1)
	35	02-04-1022 Ball Bearing	(1)
	36	06-42-0800 Woodruff Key	(1)
	37	43-16-0180 Eccentric Shaft	(1)
	38	02-04-0760 Ball Bearing	(1)
	39	28-14-1575 Gear Case	(1)
	40	06-82-7424 8-16 x 2" Torx Plastite Screw	(4)
	41	44-94-0210 Connecting Rod	(1)
	42	02-50-2501 Needle Bearing	(1)
	43	06-65-1310 Dowel Pin	(1)
	44	38-50-5420 Spindle (See Note)	(1)
	45	44-46-0200 Felt Oiler	(1)
	46	48-44-0121 Shear Blade Kit (Incl. Fig. Nos. 47, 49 & 52)	(1)
	47	06-75-2055 8-32 x 1/2" Lg. Skt. Hd. Screw	(1)
	48	42-40-0395 Spindle Bushing (See Note)	(1)
	49	— Refer to Fig. No 46)	(1)
	50	30-99-0080 Yoke	(1)
	51	45-04-0680 Shoulder Screw	(1)
	52	06-75-2000 8-32 x 3/8" Skt. Hd. Screw	(1)
	53	06-83-1900 8-32 x 1/2" Skt. Hd. Set Screw	(1)
	54	06-55-0825 8-32 Hex Nut	(1)
	55	49-11-0080 Feeler Gauge (Not Shown)	(1)
	56	49-96-0040 5/64" Socket Wrench (Not Shown)	(1)
	57	49-96-0065 9/64" Socket Wrench (Not Shown)	(1)

**NOTES**  
 FIG. 44/48 Coat Spindle With Grease Before Assembly with Spindle Bushing  
 LUBRICATION - 3/4 Oz. Type "G" Grease