



SERVICE PARTS LIST

18 GAUGE SHEAR

Catalog No. **6850**

Starting Serial No. **550-3200**

Specify Catalog and Serial No. when ordering parts

BUL. 54-44-0501

REVISED BUL.
54-44-0500

DATE
FEB '78

WIRING INSTRUCTIONS
58-01-0648

2500 R. P. M.
3.3 AMPS

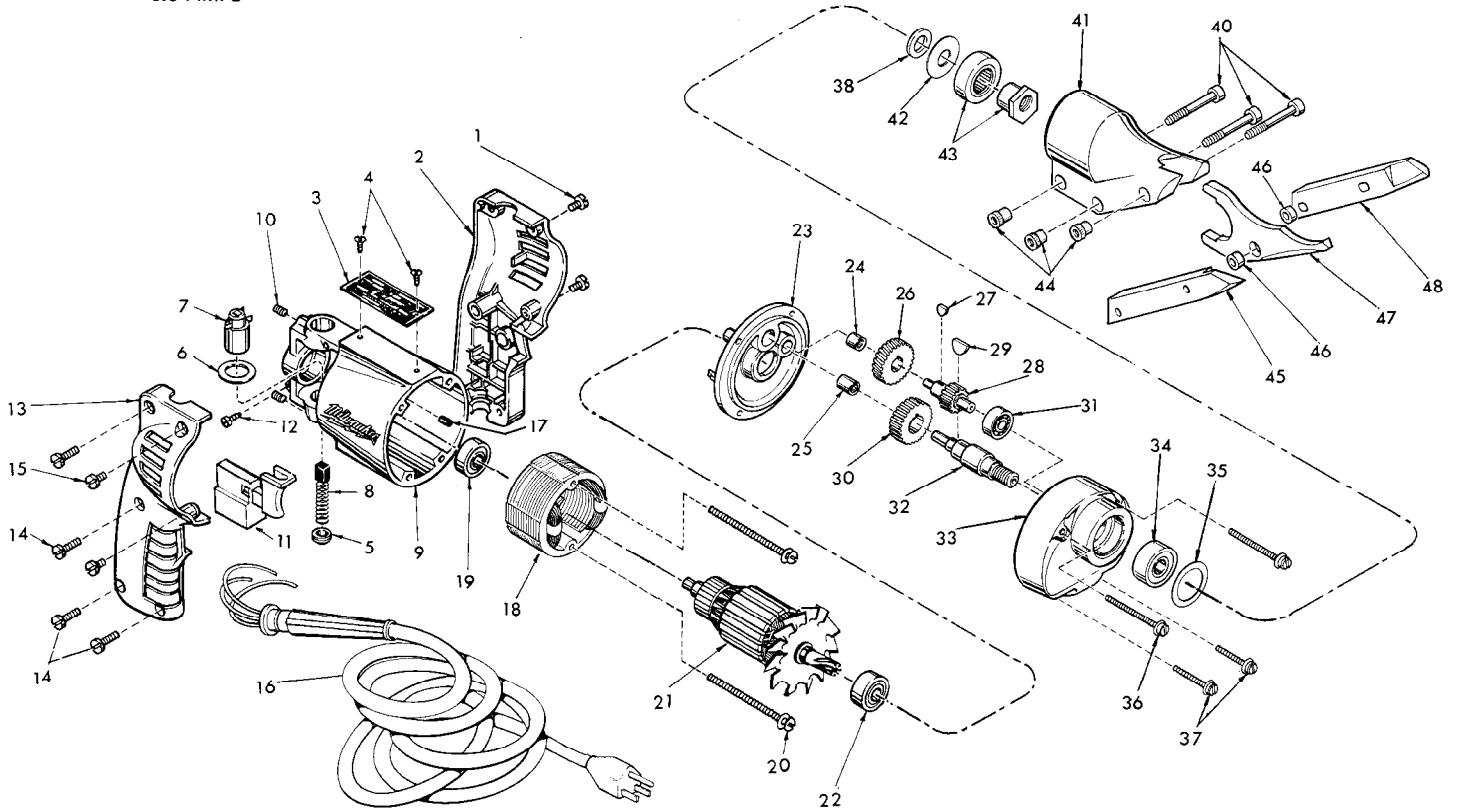


FIG.	PART NO.	DESCRIPTION	NO. REQ.	FIG.	PART NO.	DESCRIPTION	NO. REQ.
1	06-81-0452	8-32x3/8 Pan Hd. Screw	(2)	27	06-42-0400	Woodruff Key	(1)
2	31-44-0620	L. H. Handle Half	(1)	28	36-66-1601	Intermediate Pinion Shaft	(1)
3	12-99-0022	Nameplate Blank	(1)	29	06-42-0800	Woodruff Key	(1)
4	06-85-0200	Nameplate Screw	(2)	30	32-75-1461	Spindle Gear	(1)
5	23-44-0020	Brush Retaining Cap	(2)	31	02-04-0640	Ball Bearing	(1)
6	23-86-0105	Insulating Washer	(2)	32	38-50-1051	Spindle	(1)
7	22-22-1251	Brush Holder Assy.	(2)	33	28-14-0363	Gear Case	(1)
8	22-18-0155	Carbon Brush Assy.	(2)	34	02-04-1020	Ball Bearing	(1)
9	28-50-6091	Motor Housing (Incl. Fig. No. 17)	(1)	35	34-80-1400	Retaining Ring	(1)
10	06-83-2430	10-32x1/4 Soc. Hd. Set Screw	(2)	36	06-81-6575	8-32x1-5/8 Fil. Hd. Sems	(2)
11	23-66-0515	Switch	(1)	37	06-81-6350	8-32x1 Fil. Hd. Sems	(2)
12	06-81-8625	Ground Screw	(1)	38	45-88-0080	Washer	(2)
13	31-44-0610	R. H. Handle Half	(1)	39	48-08-0500	Shear Head Assy. (Includes Fig. Nos. 40 thru 49)	(1)
14	06-81-0402	8-32x3/4 Pan Hd. Screw	(4)	40	06-75-2115	10-24x1-1/4 Skt. Hd. Cap Screw	(3)
15	06-81-0452	8-32x3/8 Pan Hd. Screw	(2)	41	43-76-0400	Shear Housing	(1)
16	22-64-0665	Cord Set	(1)	42	45-88-7310	Washer	(1)
17	45-30-0120	Ball Bearing Ret. Slug	(1)	43	43-16-0100	Eccentric Assembly	(1)
★ 18	18-10-0050	Field	(1)	44	43-84-0460	Knurled Insert	(3)
19	02-04-0740	Ball Bearing	(1)	45	48-44-0170	Blade-Right Side	(1)
★ 20	06-81-5935	6-32x1-3/4 Fil. Hd. Sem	(2)	46	42-40-0520	Bushing	(2)
★ 21	16-10-0310	Armature Assy.	(1)	47	48-44-0150	Blade-Center	(1)
22	02-04-0880	Ball Bearing	(1)	48	48-44-0160	Blade-Left Side	(1)
23	28-28-0221	Diaphragm	(1)	49	49-96-0070	5/32 Hex Allen Wrench	(1)
24	02-50-1210	Needle Bearing	(1)	50	12-98-7081	Caution Label (Not Shown)	(1)
25	02-50-1640	Needle Bearing	(1)				
26	32-40-1041	Intermediate Gear	(1)				