



# SERVICE PARTS LIST

**BUL. 54-44-0300**

**12 GAUGE SHEAR**

REVISED BUL. DATE  
APRIL '79

**Catalog No.**

6820

Starting  
Serial No. 445-1001

WIRING INSTRUCTIONS  
58-01-0690

Specify Catalog and Serial No. when ordering parts

6.4 AMPS

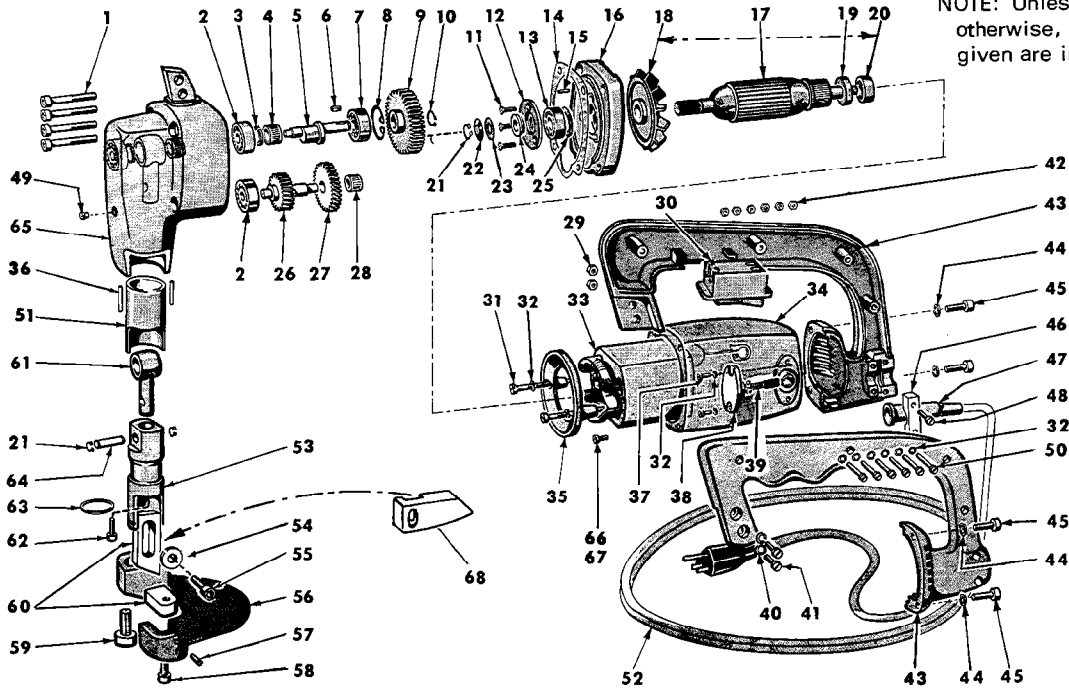


FIG.	PART NO.	DESCRIPTION OF PART	NO. REQ.	FIG.	PART NO.	DESCRIPTION OF PART	NO. REQ.
1	05-74-0560	Socket Hd. Screw 5x60	4	39	22-18-0485	Carbon Brush	2
2	02-04-0905	Ball Bearing	2	40	05-90-0105	Lock Washer 5	2
3	44-90-4235	Clamping Ring	1	41	05-81-0525	Pan Hd. Screw 5x25	2
4	02-50-2500	Needle Bearing	1	42	05-55-0104	Hex Nut 4	6
5	43-16-0080	Eccentric Shaft	1	43	31-44-0310	Handle Set (Both Halves)	1
6	43-96-0095	Key	1	44	05-90-0105	Lock Washer 5	4
7	02-04-1233	Ball Bearing	1	45	05-81-0518	Pan Hd. Screw 5x18	4
8	34-80-2225	Retaining Ring	1	46	31-17-0055	Cord Clamp	1
9	32-48-0015	Mechanism Gear	1	47	23-82-0270	Cord Entry Sleeve	1
10	34-60-0830	Retaining Ring	1	48	05-81-0412	Pan Hd. Screw 4x12	2
11	05-80-0410	Flat Hd. Screw 4x10	3	49	43-33-0100	Grease Nipple	1
12	44-86-0180	Bearing Retainer	1	50	05-81-0422	Pan Hd. Screw 4x22	6
13	02-04-0930	Ball Bearing	1	51	45-22-0320	Sleeve	1
14	43-44-0405	Diaphragm Gasket	1	52	22-64-0705	Cord Set	1
15	44-60-0400	Cylindrical Pin	1	53	44-62-0115	Piston	1
16	28-28-1470	Diaphragm	1	54	45-88-7240	Washer	1
17	16-22-1310	110 Volt Armature (Includes Figs. 18 thru 20)	1	55	05-84-0518	Socket Hd. Screw 5x18	1
18	-	Fan	1	56	45-98-0110	Yoke	1
19	31-86-0140	Insulating Spacer	1	57	05-86-0510	Set Screw 5x10	1
20	02-04-0705	Ball Bearing	1	58	05-84-0510	Allen Screw 5x10	1
21	34-60-0820	Retaining Ring	3	59	05-84-1035	Socket Hd. Screw 10x35	1
22	40-50-0065	Saucer Spring	1	60	48-44-0080	Shear Blade Set	1
23	45-14-0130	Shim Washer	1	61	44-94-0195	Connecting Rod	1
24	45-06-0175	Sealing Ring	1	62	45-04-0430	Blade Adjustment Screw	1
25	45-36-0700	Ring Spacer	1	63	44-90-4215	Piston Ring	1
26	32-40-1630	Intermediate Gear	1	64	44-60-0385	Piston Pin	1
27	32-40-1635	Intermediate Gear	1	65	28-14-1355	Gear Case	1
28	02-50-1675	Needle Bearing	1	66	05-81-0408	Pan Hd. Ground Screw 4x8	1
29	05-55-0005	Hex Nut 5	2	67	06-97-2000	Lock Washer	1
30	23-66-0900	Switch	1	68	49-13-0020	Scrap Guide	1
31	05-81-0450	Pan Hd. Screw 4x50	2			NOT SHOWN	
32	05-90-0004	Lock Washer 4	12	49-11-0060	Feeler Gauge	1	
33	18-22-1190	110 Volt Field	1	49-96-0310	Socket Wrench Set	1	
34	28-50-6150	Motor Housing	1	49-80-0010	Blade Adjusting Screw Tool	1	
35	31-05-0040	Air Deflector Baffle	1	49-11-0065	Cutting Angle Gauge	1	
36	44-60-0405	Cylindrical Pin	2	12-98-7090	Nameplate	1	
37	05-82-0410	Fillester Hd. Screw 4x10	4	12-98-7080	Warning Plate	1	
38	31-12-0090	Brush Holder Cap	2	12-98-7085	Instruction Plate	1	
				05-82-0408	Switch Screw 4x8	4	