



SERVICE PARTS LIST

BULLETIN NO.
54-44-0610

SPECIFY CATALOG NO. AND SERIAL NO. WHEN ORDERING PARTS		REVISED BULLETIN	DATE Sept. '86
16 GAUGE SHEAR		WIRING INSTRUCTION	
CATALOG NO. 6805	STARTING SERIAL NO. 709-1001	58-01-0306	

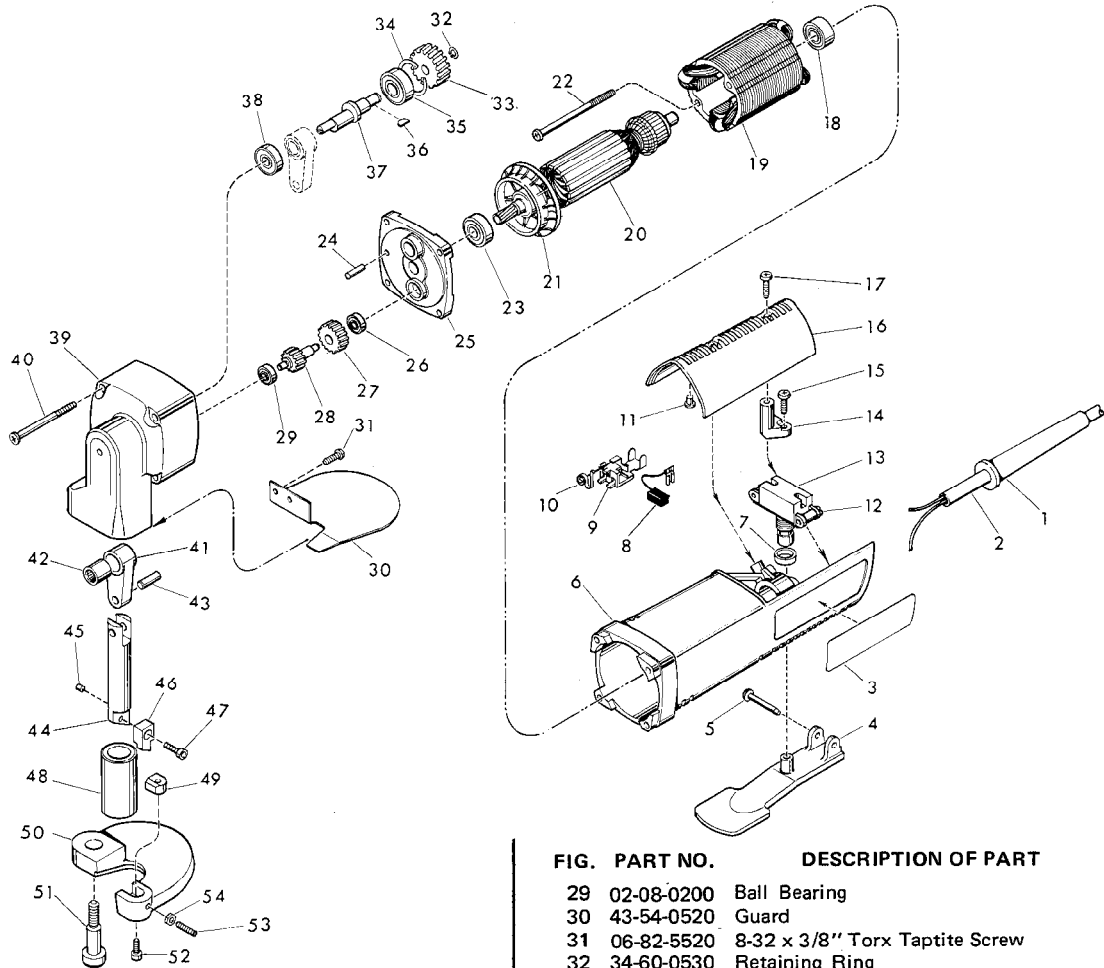


FIG.	PART NO.	DESCRIPTION OF PART	NO. REQ.
1	44-76-0110	Cord Protector	(1)
2	22-64-0215	Cord Set	(1)
3	12-79-5046	Nameplate Blank	(1)
4	31-92-0225	Trigger Paddle	(1)
5	06-72-0810	Tapered Rivet	(1)
6	31-50-0420	Motor Housing	(1)
7	44-90-4245	Rubber Ring	(1)
8	22-18-0710	Carbon Brush Assembly	(2)
9	22-20-0690	Brush Holder	(2)
10	23-52-0240	Brush Spring	(2)
11	42-38-0180	Rubber Bumper	(2)
12	06-95-0125	Switch Terminal Screw	(2)
13	23-66-1170	Switch	(1)
14	31-17-0120	Cord Clamp	(1)
15	06-82-7270	8-16 x 5/8" Torx Plastite Screw	(2)
16	31-15-0140	Cover	(1)
17	06-82-7270	8-16 x 5/8" Torx Plastite Screw	(2)
18	02-04-0850	Ball Bearing	(1)
19	18-07-0055	120V Field	(1)
20	16-07-0090	120V Armature (Incl. Fig. No. 21)	(1)
21	22-84-0680	Fan	(1)
22	06-82-7375	8-16 x 2-1/2" Torx Plastite Screw	(2)
23	02-08-0375	Ball Bearing	(1)
24	06-65-0825	1/8 x 1/2 Groove Pin No. 5	(1)
25	28-28-1670	Diaphragm	(1)
26	02-08-0200	Ball Bearing	(1)
27	32-40-1910	Intermediate Gear	(1)
28	36-66-4350	Intermediate Pinion Shaft	(1)

FIG.	PART NO.	DESCRIPTION OF PART	NO. REQ.
29	02-08-0200	Ball Bearing	(1)
30	43-54-0520	Guard	(1)
31	06-82-5520	8-32 x 3/8" Torx Taptite Screw	(2)
32	34-60-0530	Retaining Ring	(1)
33	32-30-0030	Drive Gear	(1)
34	34-80-1505	Internal Retaining Ring	(1)
35	02-04-1022	Ball Bearing	(1)
36	06-42-0800	Woodruff Key	(1)
37	43-16-0180	Eccentric Shaft	(1)
38	02-04-0760	Ball Bearing	(1)
39	28-14-1575	Gear Case	(1)
40	06-82-7424	8-16 x 2" Torx Plastite Screw	(4)
41	44-94-0210	Connecting Rod	(1)
42	02-50-2501	Needle Bearing	(1)
43	06-65-1310	Dowel Pin	(1)
44	38-50-5420	Spindle (See Note)	(1)
45	44-46-0200	Felt Oiler	(1)
46	48-44-0121	Shear Blade Kit (Incl. Fig. Nos. 47, 49 & 52)	(1)
47	06-75-2055	8-32 x 1/2" Lg. Skt. Hd. Screw	(1)
48	42-40-0395	Spindle Bushing (See Note)	(1)
49	—	Refer to Fig. No 46)	(1)
50	30-99-0080	Yoke	(1)
51	45-04-0680	Shoulder Screw	(1)
52	06-75-2000	8-32 x 3/8" Skt. Hd. Screw	(1)
53	06-83-1900	8-32 x 1/2" Skt. Hd. Set Screw	(1)
54	06-55-0825	8-32 Hex Nut	(1)
55	49-11-0080	Feeler Gauge (Not Shown)	(1)
56	49-96-0040	5/64" Socket Wrench (Not Shown)	(1)
57	49-96-0065	9/64" Socket Wrench (Not Shown)	(1)

NOTES
 FIG. 44/48 Coat Spindle With Grease Before Assembly with Spindle Bushing
 LUBRICATION - 3/4 Oz. Type "G" Grease