

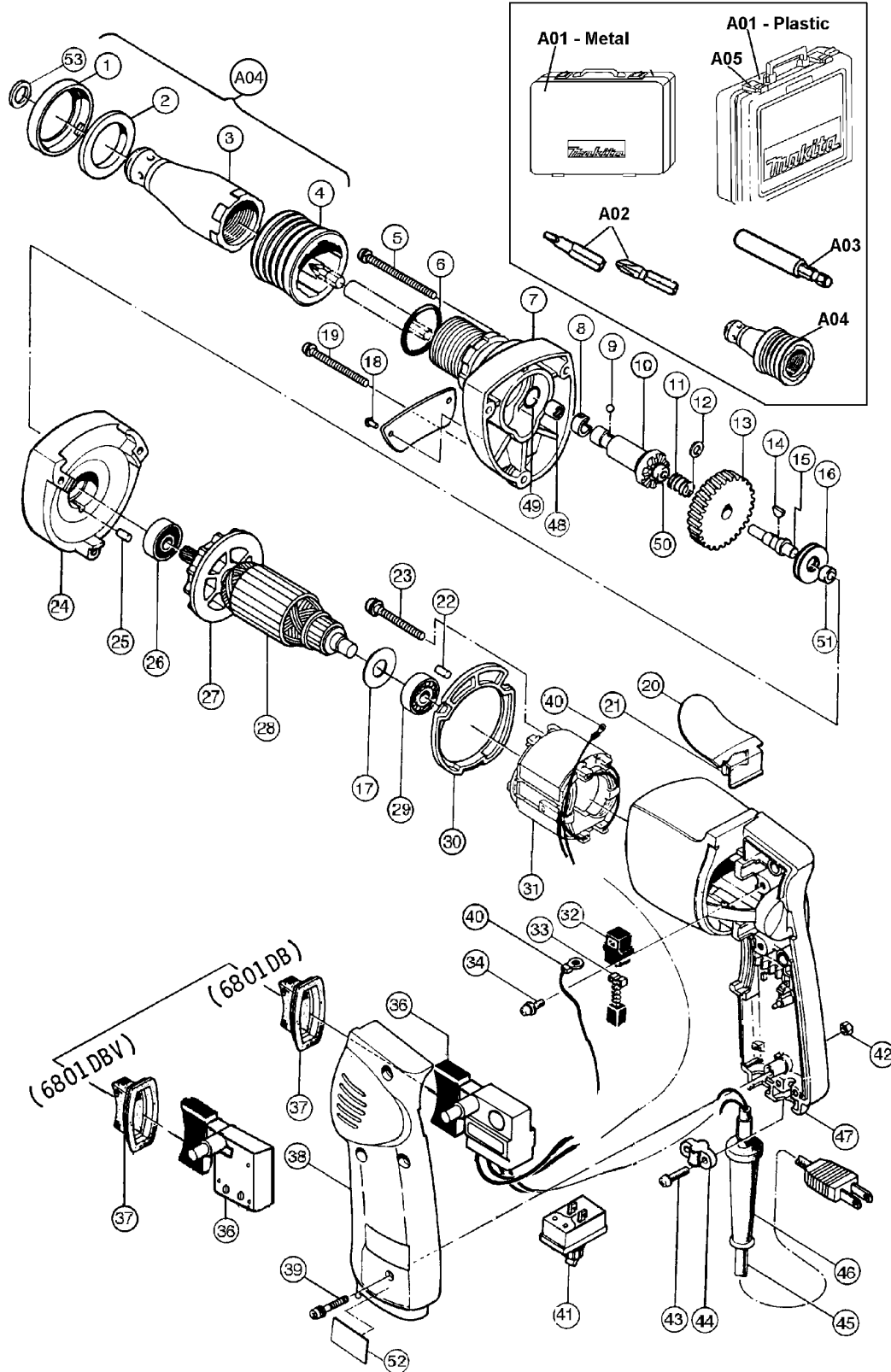


**DRYWALL SCREWDRIVER (Constant Speed)**

**Model 6801DB\* (MJ)**  
(Discontinued in 1994)

**DRYWALL SCREWDRIVER (Variable Speed)**

**Model 6801DBV\* (MJ)**  
(Discontinued in 2002)

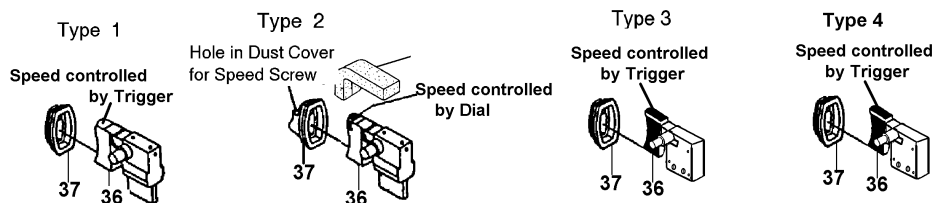


Item No.	Part No.	No. Used	Description	Item No.	Part No.	No. Used	Description
1	411297-0	1	Felt Cover		181503-4	2	Auto Cut-Off Carbon Brush CB-63 (Optional)
2	443028-9	1	Felt Ring 30				
3	411292-0	1	Locator (With Item 53)				
4	411293-8	1	Locking Sleeve	34	911124-6	2	P.H. Screw M4x14
5	911181-4	2	P.H. Screw M4x55	35	685717-2	1	Sponge Sheet (Add.)*
6	213404-9	1	O Ring 27 (Old 213363-7)				
7	156353-6	1	Gear Housing (Aluminium) (With Items 48 & 49)	36	651212-4	1	Switch (With Lock)(6801DB)
					*	1	Switch (6801DBV)
8	232050-9	1	Leaf Spring				
9	216001-0	1	Steel Ball 3.5	37	421144-7	1	Dust Cover (6801DB)
10	*	1	Spindle (With Items 8, 9 & 50)		*	1	Switch Cover/Dust Cover (6801DBV)
11	231139-0	1	Compression Spring 9				
12	253324-5	2	Thin Washer 8	38	*	1	Handle Cover
13	*	1	Helical Gear 37	39	911153-9	*	P.H. Screw M4x28
14	254031-3	1	Woodruff Key 3	40	654038-3	2	Insulated Terminal FV1.25-M4
15	325485-2	1	Gear Shaft	41	651478-6	1	Reversing Switch (Old 651461-3)
16	212057-1	1	Thrust Needle Bearing 1023	42	931102-0	*	Hex Nut M4
17	681617-4	1	Insulation Washer	43	911131-9	2	P.H. Screw M4x18 (With Washer)
18	953106-2	2	Rivet 0-5	44	687002-9	1	Strain Relief
19	911171-7	1	P.H. Screw M4x45	45	664013-1	1	Cord With Plug 2P-18-2.5
				46	682502-4	1	Cord Guard 8-85
20	342422-1	1	Hook (Type 1)	47	*	1	Motor Housing (With Items 22 & 42)
	343693-3	1	Hook (Type 2)	48	212155-1	1	Needle Bearing 1416
				49	213154-6	1	O Ring 14
21	232034-7	1	Leaf Spring (Type 1)	50	212015-7	1	Needle Bearing 509
22	263002-9	1	Rubber Pin 4	51	214012-9	1	Plane Bearing 6
23	911180-6	2	(+) P.H. Screw M4x50(Old 925178-7)	52	817613-8	1	Caution Label (Eng/Fr)
24	156354-4	1	Gear Housing Cover (Aluminium) (With Items 25 & 51)	53	261058-6	1	Sponge Washer 11
				100	652030-3	4	(-) Set Screw M3x7.5
25	263002-9	1	Rubber Pin 4	<b>Accessories</b>			
26	211033-2	1	Ball Bearing 608LB	A01	181949-4	1	Steel Carrying Case(Old 823036-0)
27	241803-5	1	Fan 58		<b>824700-6</b>	1	Plastic Carrying Case (Includes Item A05)
28	611302-5	1	Armature Assy (Includes Items 17, 26-29)	A02	----	1	Insert Bits (See Catalogue for Details)
29	211028-5	1	Ball Bearing 627LB	A03	784801-1	1	Magnetic Bit Holder 6.35-76
30	*	1	Baffle Plate	A04	122211-8	1	Nose Piece Assy (Assembled Items 1-4)
31	*	1	Field Assy [With Item 40 (1pc.)]	A05	<b>417496-2</b>	2	Latch
32	643552-4	2	Brush Holder 5-8				
33	191956-9	2	Carbon Brush CB-75 (Old 181028-8 - CB-56)				

\* SEE SERVICE CHANGES

## SERVICE CHANGES

### 1. Change on Switch & Switch Cover/Dust Cover (6801DBV only).

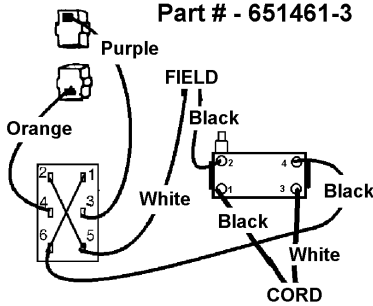


Item No.	Description	Type 1	Type 2	Type 3	Type 4
35	Sponge Sheet	-----	685717-2	-----	
36	Switch (Speed changed by Trigger)	651313-8		651271-8	<b>650206-6</b>
	Switch (Option) (Speed changed by Dial)		651314-6 (6A) or 651255-6	651270-0	<b>650205-8</b>
37	Switch Cover/Dust Cover	411852-8 (Plastic)	421145-5 (Rubber)	411852-8 (Plastic)	
	Serial No.	~ 210103E	210104E ~ 651715E	651716E ~	N/A

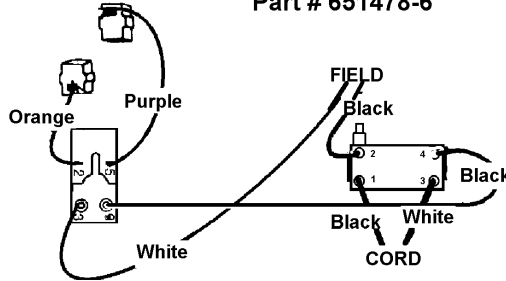
2 Model 6801DB\*  
 2 Model 6801DBV

## WIRING DIAGRAM 6801DB

**Type 1 Reversing Switch**  
Part # - 651461-3

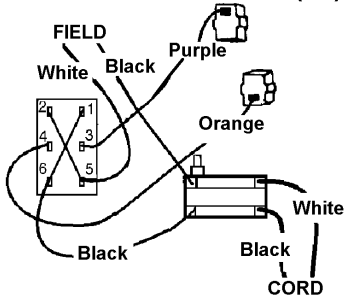


**Type 2 Reversing Switch**  
Part # 651478-6

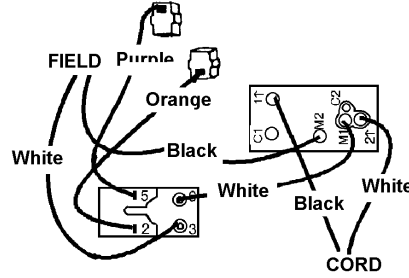


## WIRING DIAGRAM - 6801DBV

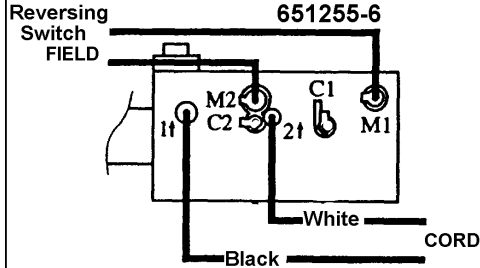
**Type 2 Switch Part # 651314-6(6A)**



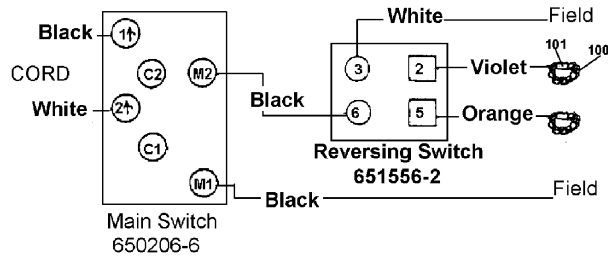
**Type 3 Switch Part # 651271-8**



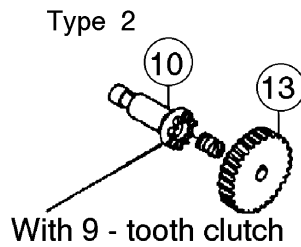
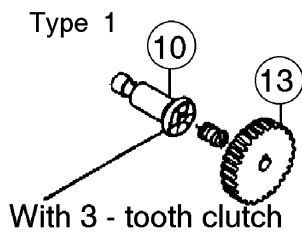
**Type 2 New Optional Switch Part # 651255-6**



**Type 4 - Switch # 650206-6**



## **2. Change on Spindle & Gear.**

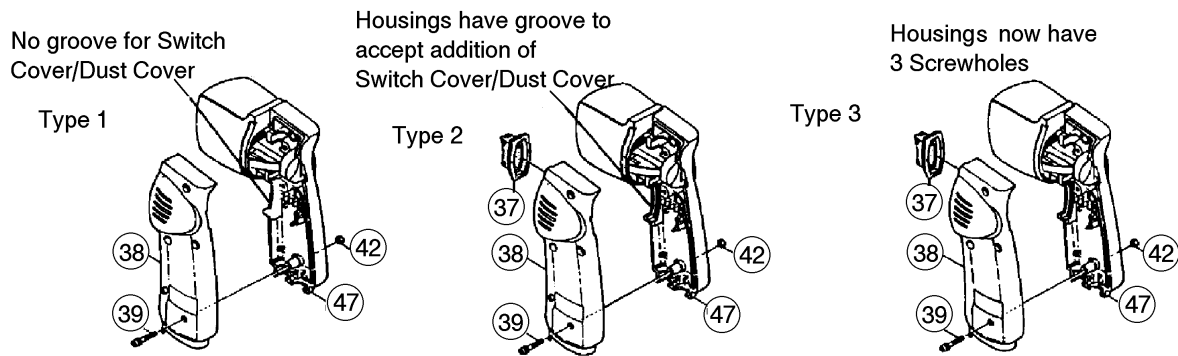


Item No.	Description	Type 1	Type 2
10	Spindle	152128-1 (No Longer Available)	152158-2
13	Helical Gear 37	221615-2 (No Longer Available)	221674-6
Serial No.	6801DB	~ 7859E	7860E~
	6801DBV	~ 2483E	2484E~

Above parts are completely interchangeable as a set.

When replacing Type 1 Spindle or Gear replace them with complete set of Type 2 parts.

### 3. Change on Motor Housing & Handle Cover.

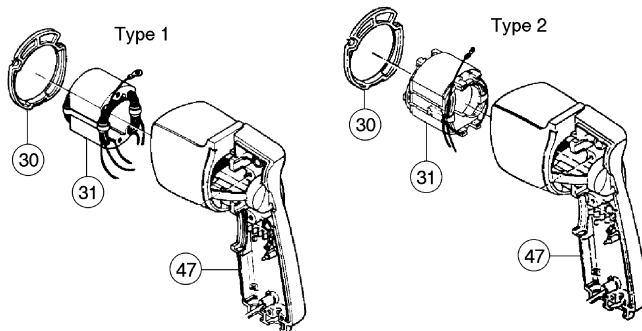


Item No.	Description	Type 1	Type 2	Type 3
37	Dust Cover (6801DB)	----	421144-7 (Rubber)	
	Switch Cover/Dust Cover (6801DBV)	----	411852-8 (Plastic)	421145-5 (Rubber)
(See Service Change on Switch)				
38	Handle Cover	411216-6 (No Longer Available)	155216-3 (No Longer Available)	155300-4
39	P.H. Screw M4x28	911153-9		
		(4 pieces)		(3 pieces)
42	Hex Nut M4	931102-0		
		(4 pieces)		(3 pieces)
47	Motor Housing	411215-8 (No Longer Available)	411411-8 (No Longer Available)	
		Serial No.	N/A	N/A
		N/A	N/A	N/A

Above parts are completely interchangeable as a set.

When replacing Type 1 & 2 Motor Housings, replace them with complete set of Type 3 parts.

### 4. Change on Field Assy, Baffle Plate & Motor Housing.



Item No.	Description	Type 1	Type 2
30	Baffle Plate	411291-2	414463-8
31	Field Assembly	621272-0	593066-2
		Type 3	Type 4
47	Motor Housing	156491-4	159061-8
Serial No.	6801DB	~ 140554E	140555E ~
	6801DBV	~ 619166E	619167E ~

Above parts are completely interchangeable as a set.

Type 4 Motor Housing accepts Type 1 & Type 2 Baffle Plate & Field.

- 4 Model 6801DB\*
- 4 Model 6801DBV