

POWERMATIC

MODEL
68

**12" TILTING
ARBOR SAW**

OPERATING INSTRUCTIONS AND PARTS LIST

FOR SERIAL NUMBERS FROM 268001 UP

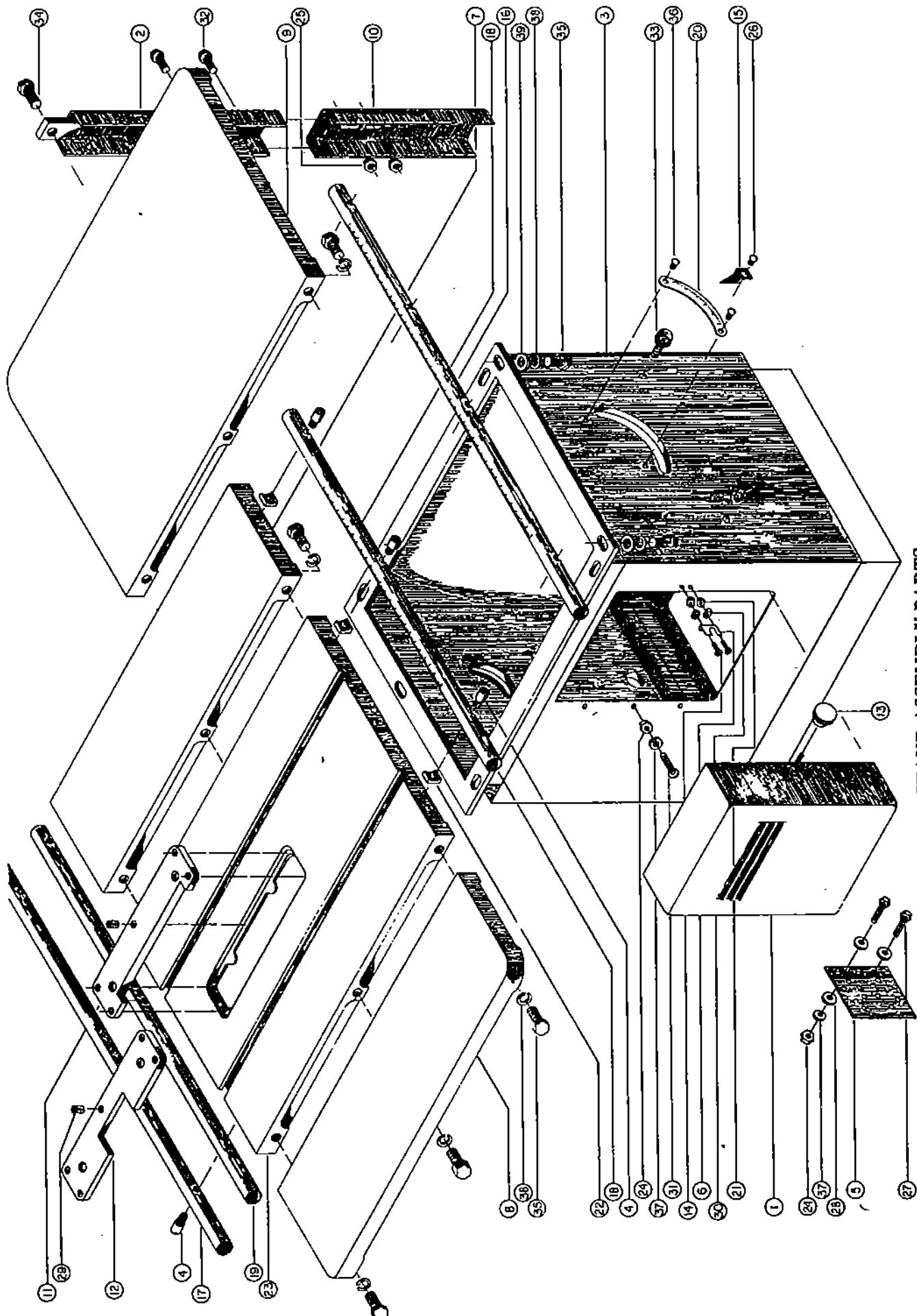
Price \$2.50



POWERMATIC **H** **OU DAILLE**
McMinnville, Tennessee 37110

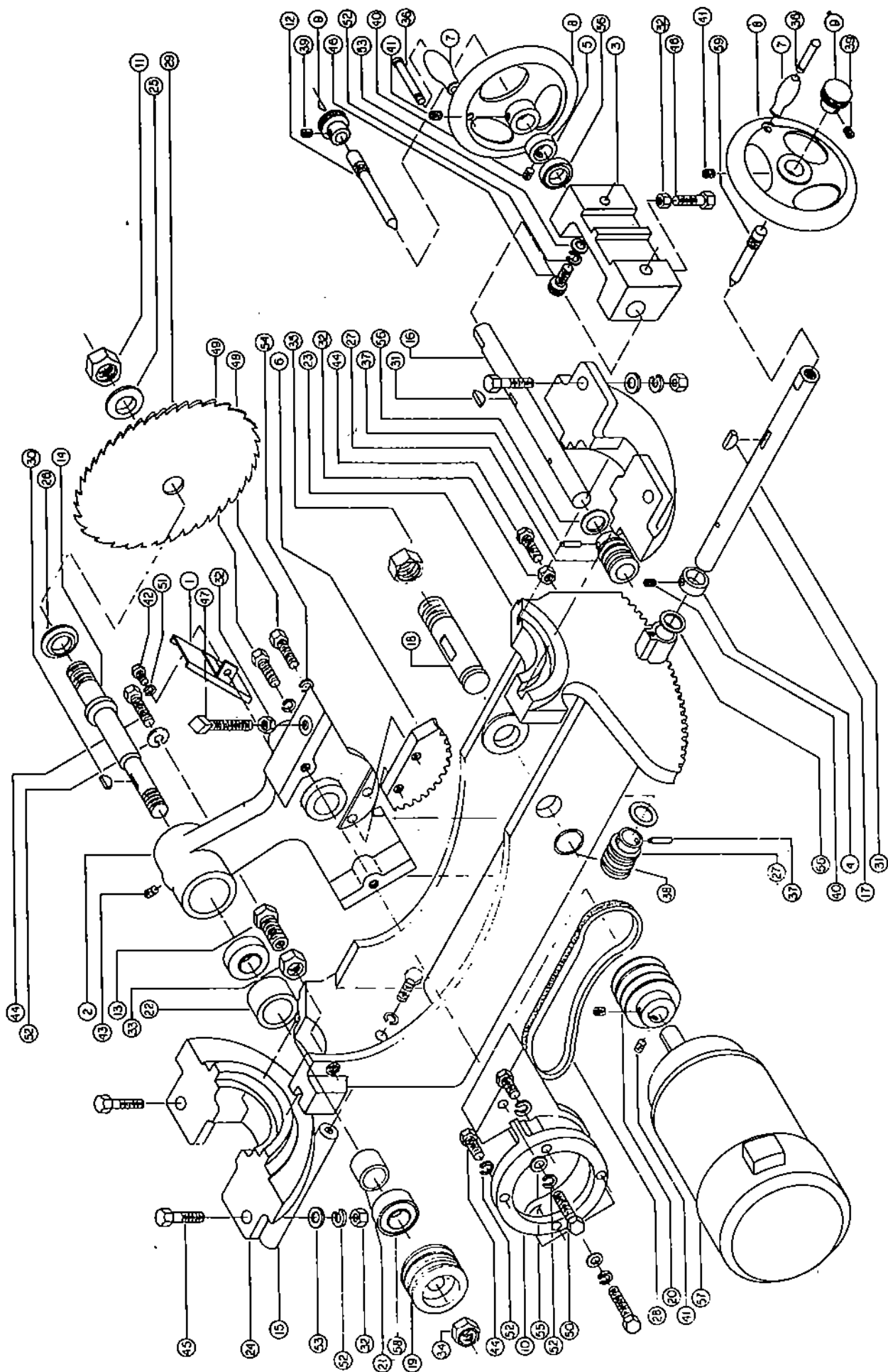
STAND ASSEMBLY PARTS

<u>NO.</u>	<u>PART NO.</u>	<u>OLD NO.</u>	<u>DESCRIPTION</u>	<u>QUANTITY</u>
1.	2104021		Cover, Motor Assembly	1
2.	2423006	Leg	Leg Assembly, Inner Weldment	1
3.	2759037	Stand Ass	Stand Assembly, Weldment	1
4.	3058002	40170	Bolt Fence Mounting	6
5.	3063276	30024	Bracket, Mounting	1
6.	3062127		Bracket, Motor Cover Lock	1
7.	3186004		Extension, 11" Square	1
8.	3186005		Extension, 11" Round	1
9.	3186006		Extension, 25"	1
10.	3186009	30100	Extension, Leg Outer	1
11.	3328058		Insert, Table 12-14	1
12.	3328059		Insert, Table 12-14	1
13.	3406012	40104	Knob, Motor Cover Locking	1
14.	6710034		Screw, Round Head 10-24 x 1/2"	2
15.	3604003	30110	Pointer, Saw Tilting	1
16.	3653004	40172-1	Rail, 80" Fence w/Scale	1
17.	3653005	40172-2	Rail, 80" Fence w/o Scale	1
18.	3653006	40186-1	Rail, 64" Fence w/Scale	1
19.	3653007	40186-2	Rail, 64" w/o Scale	1
20.	3684232	70018	Scale, Table Angle	1
21.	6510001	60002-16	Nut, 10-24 Hex	2
22.	3735230	72001	Spacer, Fence Mounting	6
23.	3797097		Table, Tilting Arbor Saw (12"-14")	1
24.	6514001	60002-2	Nut, Hex Steel 1/4"-20	7
25.	6515001	60002-1	Nut, Hex Steel 5/16"-18	3
26.	6708012	60181-1	Screw, Round Head Machine 8-32 x 1/4"	1
27.	6714049	60068-1	Screw, Hex Head 1/4"-20 x 3/4"	2
28.	6861107		Washer, Flat 1/4", Thin 1" (1/16") Thick	4
29.	6714081	60115-1	Setscrew, Slot Head Steel 1/4"-20 x 3/8"	5
30.	6860802		Washer, Lock No. 10.	2
31.	6714063	60024-2	Screw, Round Head Machine 1/4"-20 x 1/2"	3
32.	6715036	60067-5	Screw, Hex Head 5/16" x 5/8"	2
33.	6716030	60025-1	Screw, Hex Head 3/8"-16 x 3/4"	2
34.	6716031	60025-2	Screw, Hex Head 3/8"-16 x 1"	15
35.	6718009	60126-1	Screw, Hex Head Cap 1/2"-13 x 1-1/4"	4
36.	6746001	60088-1	Screw, Pan Head Self-Tapping No. 6 x 1/4"	2
37.	6861100	60003-3	Washer, Helical Spring Lock 1/4"	3
38.	6861500	60003-5	Washer, Helical Spring Lock 1/2"	4
39.	6861501	60026-6	Washer, Flat Plain 1/2"	4



STAND ASSEMBLY PARTS

TRUNNION ASSEMBLY PARTS				
NO.	PART NO.	OLD NO.	DESCRIPTION	QUANTITY
1.	2087001	90052	Dust Chute Assembly (Weldment)	1
2.	3025071	18041	Arm, Saw Raising	1
3.	3065006	18052	Bracket, Front Trunnion Rail	1
4.	3096044	40161	Collar, Cont. Feed	2
5.	3096244	40092	Collar	2
6.	3237010	18050	Gear, Segment	1
7.	3268201	60061	Handle	2
8.	3271039	18020-1	Handwheel, 8"	2
9.	3406018	10001-2	Knob, Adjusting	2
10.	3480010	18051	Motor, Mounting Casting	1
11.	3530006	60051	Nut, Retaining (Acme) 5/8"-12	1
12.	3582086	40082	Pin, Saw Raising Lock	1
13.	3690232	40275	Screw, Hex Head Jack 3/4"-16 x 1-1/2"	1
14.	3700011	40084	Shaft, Saw Arbor	1
15.	3704033	40075	Shaft, Splitter Support	1
16.	3701049	40083	Shaft, Saw Tilting	1
17.	3701050	40073	Shaft, Saw Raising	1
18.	3711005	40079	Shaft, Saw Arm Pivot	1
19.	3717017	18057	Sheave, Arbor	1
20.	3717060	18056	Sheave, Motor	1
21.	3737206	40090	Spacer, Outer	1
22.	3737207	40089	Spacer, Inner	1
23.	3810024	18044	Trunnion, Center	1
24.	3810023	18042	Trunnion, Front & Rear	2
25.	3838004	40023	Washer, Arbor Shaft, Outer	1
26.	3838005	40022	Washer, Arbor Shaft, Inner	1
27.	3865001	40091	Worm, Saw Raising & Tilting	2
28.	6077133	60036-15	Belts, "V" No. 4L240	3
29.	6080129	60041	Blade, Saw 12" Combination	1
30.	6420001	60016-2	Key, Woodruff No. 606	1
31.	6420002	60016-3	Key, Woodruff No. 608	2
32.	6516001	60002-3	Nut, Hex 3/8"-16	7
33.	6572001	60002-5	Nut, Hex 3/4"-16	1
34.	6572002	60029-7	Nut, Hex Lock Self Comm. 3/4"-16	1
35.	6578001	60029-10	Nut, Hex Lock Self Comm. 1-1/8"-12	1
36.	6624006	60026	Rivet, Flat Head	2
37.	6626031	60011-4	Pin, Spring 3/16" x 1-1/8"	2
38.	6670034	60162-1	Ring, Retaining External No. 5107-137	1
39.	6714004	60012-2	Setscrew, Socket Head C.P. 1/4"-20 x 1/4"	3
40.	6715015	60014-3	Setscrew, Socket Head C.P. 5/16"-18 x 1/4"	4
41.	6715016	60014-4	Setscrew, Socket Head C.P. 5/16"-18 x 5/16"	4
42.	6715033	60067-2	Screw, Hex Head 5/16"-18 x 1/2"	1
43.	6716005	60015-3	Setscrew, Socket Head C.P. 3/8"-16 x 7/16"	3
44.	6716031	60025-2	Screw, Hex Head 3/8"-16 x 1"	15
45.	6716035	60025-3	Screw, Hex Head 3/8"-16 x 1-3/4"	4
46.	6716039	60025-10	Screw, Hex Head 3/8"-16 x 1-1/4"	3
47.	6716082	60130-4	Setscrew, Square Head 3/8"-16 x 2-1/2"	1
48.	6717018	60128-4	Cap Screw, Hex Head 7/16"-14 x 1-1/2"	1
49.	6717019	60128-5	Cap Screw, Hex Head 7/16"-14 x 1-3/4"	1
50.	6718010	60126-2	Cap Screw, Hex Head 1/2"-13 x 1-1/2"	2
51.	6861200	60003-1	Washer, Helical Spring Lock 5/16"	1
52.	6861300	60003-2	Washer, Helical Spring Lock 3/8"	4
53.	6861301	60026-1	Washer, Flat 3/8"	9
54.	6861400	60003-7	Washer, Helical Lock 7/16"	2
55.	6861501	60026-6	Washer, Flat 1/2"	2
56.	6861901	60096-3	Washer, Flat 3/4"	3
57.	---	60039	Motor, Saw T.A. (See Master Catalog)	1
58.	6060008	60042-9	Bearing, Ball Fafnir No. W204PP	2
59.	3582085		Pin, Saw Tilting Lock	1



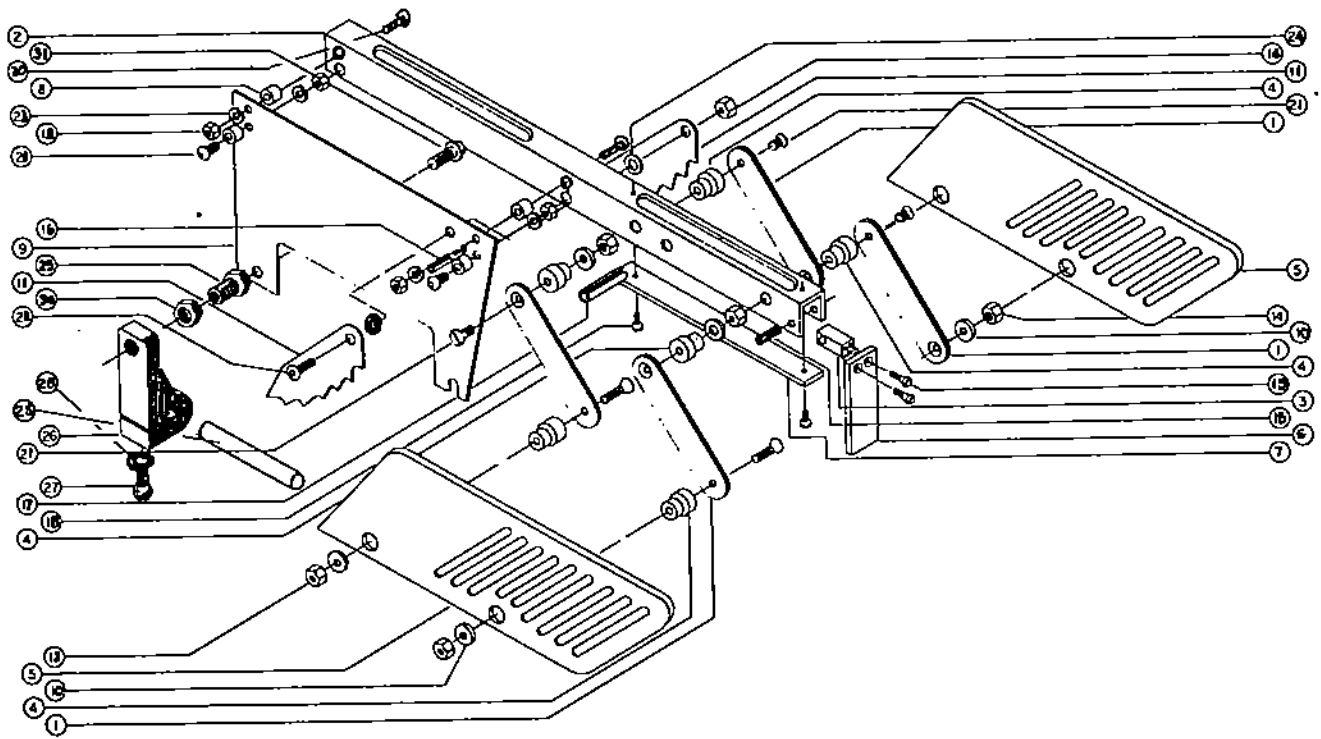
TRUNION ASSEMBLY PARTS

SPLITTER & GUARD ASSEMBLY PARTS

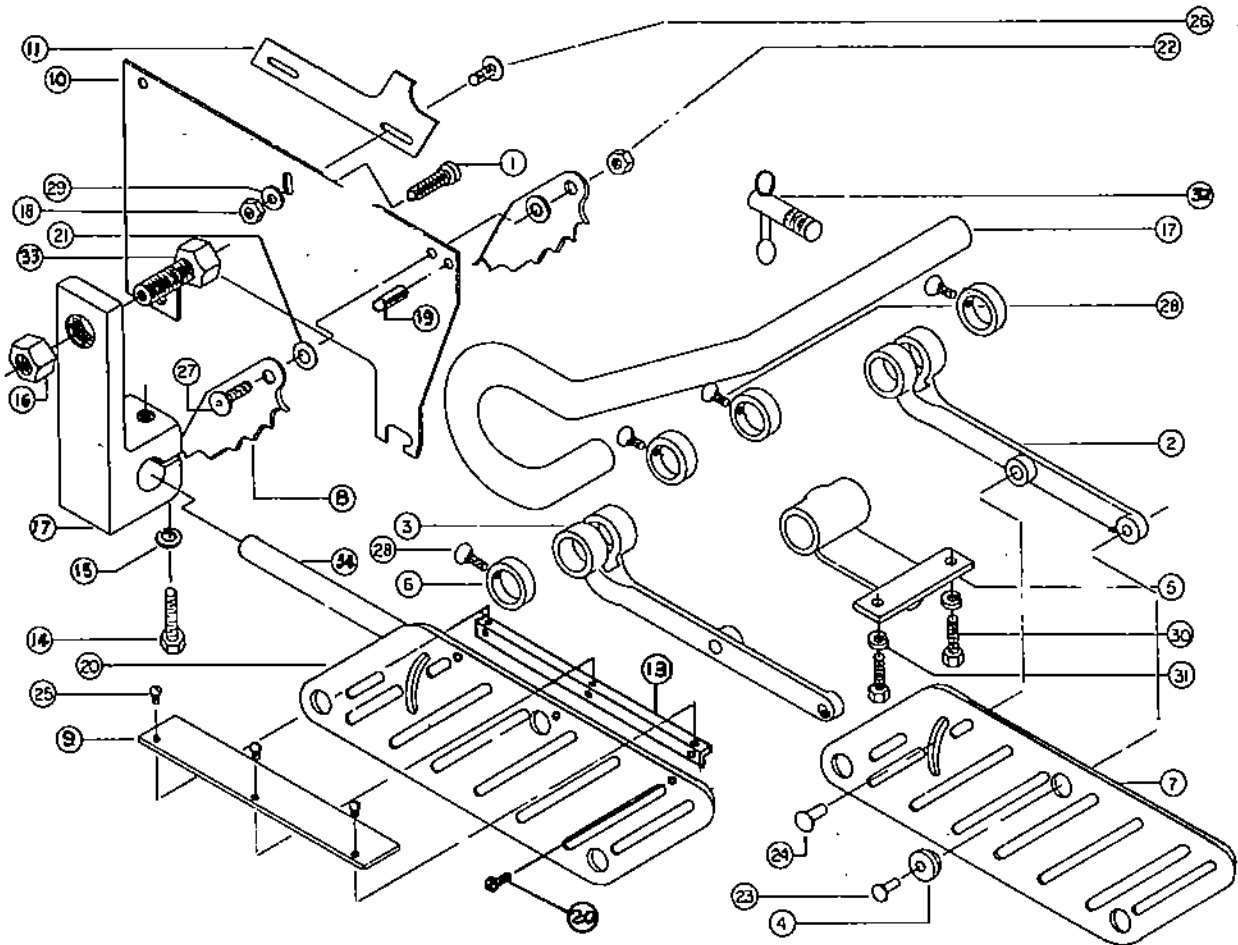
NO.	PART NO.	OLD PART NO.	DESCRIPTION	QUANTITY
1.	3025075		Arm, Pivot	4
2.	3044306		Bar, Splitter	1
3.	3055094		Block, Pivot	1
4.	3070108		Bushing, Pivot	8
5.	3250111		Guard, Blade	2
6.	3720208		Shield, Front	1
7.	3720209		Shield, Guard	1
8.	3736012		Spacer	4
9.	3750010		Splitter	1
10.	3838015		Washer, Pivot	8
11.	3581005		Pawl, Anti-kickback	2
12.	6514001		Nut, Hex 1/4"-20	4
13.	6514012		Nut, Flex Lock (short) 1/4"-20	8
14.	6516020		Nut, Flex Lock (short) 3/8"-16	1
15.	6626032		Pin, Spring 3/16" x 1 1/4"	1
16.	6626039		Pin, Spring 1/4" x 5/8"	1
17.	6626049		Pin, Spring 3/8" x 2"	1
18.	6710032		Screw, Round Head Machine 10-24 x 1/4" long	2
19.	6710079		Screw, Flat Head Machine 10-24 x 1/4" long	2
20.	6714113		Screw, Round Head Machine 1/4"-20 x 1"	4
21.	6714192		Screw, Flat Head Socket 1/4"-20 x 7/8"	8
22.	6716138		Screw, Button Head Cap 3/8"-16 x 5/8"	1
23.	6861100		Washer, Lock Pin 1/4"	4
24.	6861301		Washer, Flat 3/8"	2
25.	3712010		Shaft, Splitter Support	1
26.	3787001		Support, Rear Splitter	1
27.	6715037		Screw, Hex Head Cap 5/16"-18 x 1 1/2"	1
28.	6861200		Washer, Lock 5/16"	1
29.	3690232		Screw, Adjusting	1
30.	6572001		Nut, Hex 3/4"-16	1
31.	6716002		Screw, Hex Head Cap 3/8"-16 x 3/4"	1

OVERHANGING GUARD ASSEMBLY PARTS

1.	6716002		Screw, Hex Head Cap 3/8"-16 x 3/4"	1
2.	3025038	18145-1	Arm, Pivot Guard, R.H.	1
3.	3025039	18145-2	Arm, Pivot Guard, L.H.	1
4.	3046202	40071	Bearing	2
5.	3064072	18045	Bracket, Tube Holding	1
6.	3096003	40076	Collar, Locking	4
7.	3250292		Guard, Blade	2
8.	3581005		Pawl, Anti-kickback	2
9.	3595327		Plate, Safety	1
10.	3750010		Splitter	1
11.	3791001	35055	Support Tube	1
12.	3816012	40061-2	Tube, Mounting	1
13.	3064294		Bracket, Safety Plate	1
14.	6715037		Screw, Hex Head 5/16"-18 x 1 1/2" long	1
15.	6861200		Washer, Lock 5/16"	1
16.	6572005		Nut, Hex Jam Steel 3/4"-16	1
17.	3787001		Support, Rear Splitter	1
18.	6514001		Nut, Hex 1/4"-20	2
19.	6626039		Pin, Spring 1/4" diameter x 5/8"	1
20.	6710032		Screw, Round Head Machine 10-24 x 3/8"	3
21.	6861301		Washer, Flat 3/8"	2
22.	6516020		Nut, Flex-lock (short) 3/8"-16	1
23.	6680005		Rivet, Flat Head 1/4" diameter x 7/8"	2
24.	6680009		Rivet, Flat Head 5/16" diameter x 7/8"	2
25.	6710033		Screw, Round Head Machine 10-24 x 3/8"	3
26.	6710034		Screw, Round Head Machine 1/4"-20 x 1/2"	2
27.	6716138		Screw, Button Head Socket 3/8"-16 x 5/8"	1
28.	6715133		Screw Thumb 5/18" x 1"	4
29.	6861100		Washer, Lock 1/4"	2
30.	6716031		Screw, Hex Head Cap 3/8"-16 x 1"	2
31.	6861300		Washer, Lock 3/8"	2
32.	2695003		Screw, Lock Adjusting	1
33.	3690232		Screw Adjusting	1
34.	3712010		Shaft, Splitter Support	1



SPLITTER & GUARD ASSEMBLY PARTS



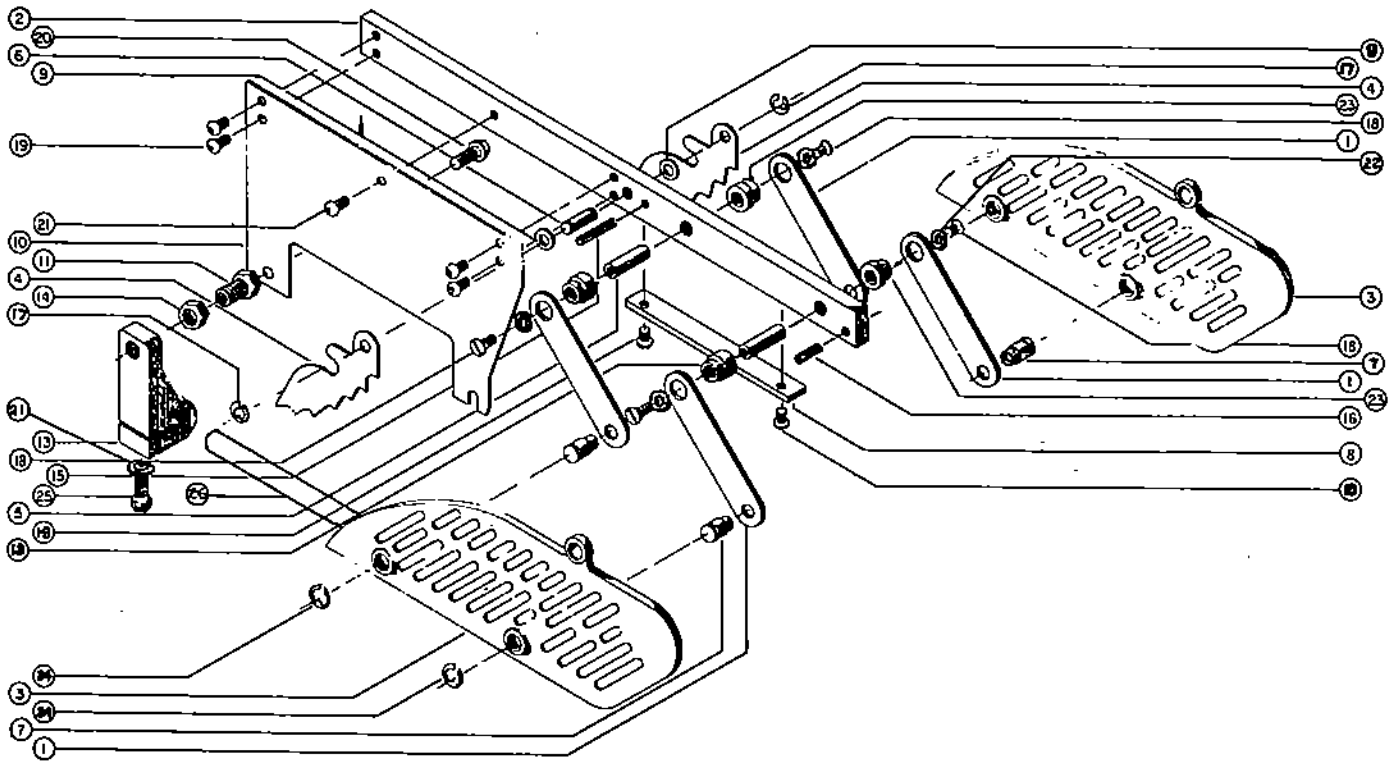
OVERHANGING GUARD ASSEMBLY PARTS

OLD SPLITTER & GUARD ASSEMBLY PARTS

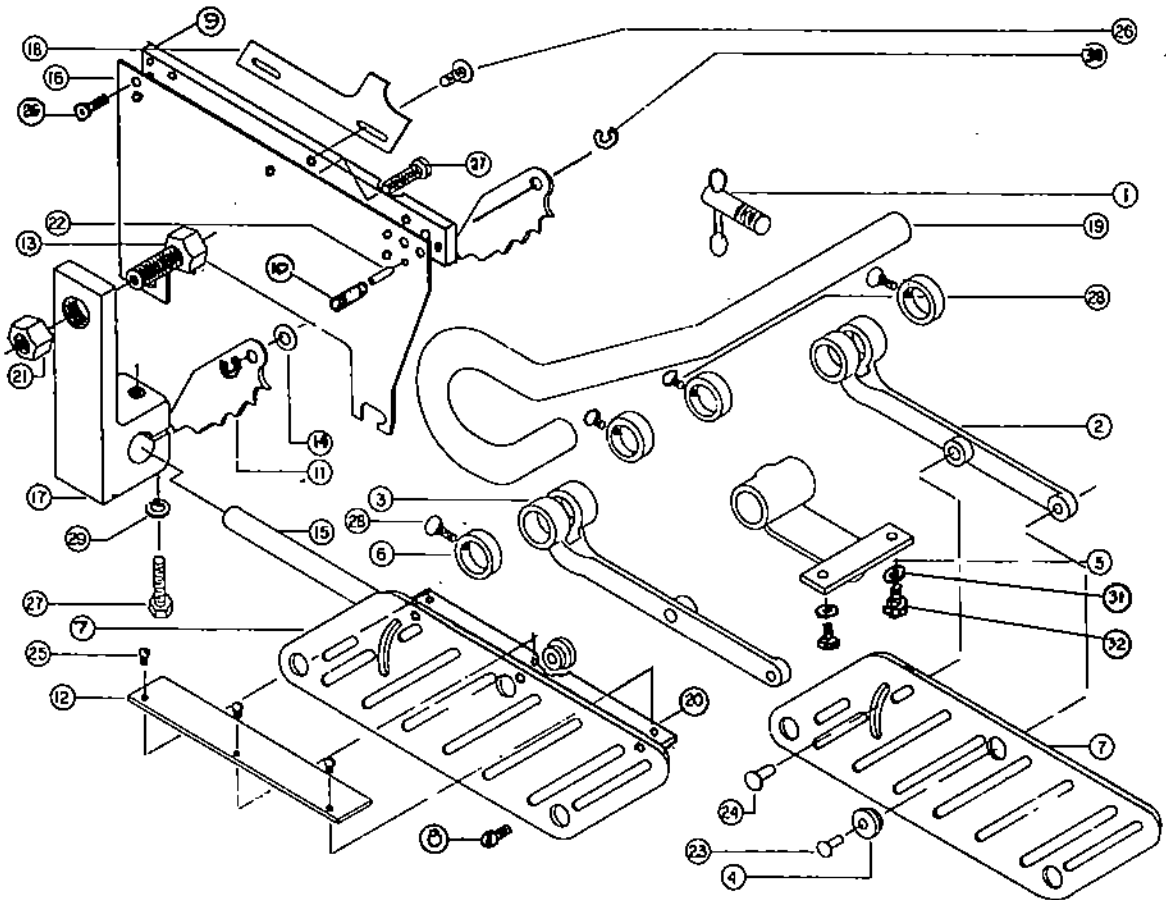
NO.	PART NO.	OLD PART NO.	DESCRIPTION	QUANTITY
1.	3025008	72-136	Arm	1
2.	3044300		Bar, Splitter	1
3.	3250048	72-135	Guard, Saw Blade	2
4.	3581005		Pawl, Kickback	2
5.	3584219		Pin, Swing Arm	2
6.	3584221		Pin, Kickback Pawl	1
7.	3585206	72-137	Pin, Shoulder	1
8.	3720007		Shield, Guard	1
9.	3739204	72-146	Spacer, Guard 3/16" thick	1
10.	3750008		Splitter	1
11.	3690232	40275	Jack Screw, Hex Head 3/4"-16 x 1-1/2"	1
12.	3752203		Spool, Saw Guard 3/8"	1
13.	3787001	72-155	Support, Rear Splitter	1
14.	6572001	60002-5	Nut, Hex 3/4"-16	1
15.	6626040	60008-3	Pin, Spring 1/4" x 1-1/4"	1
16.	6626057		Pin, Spring 1/4" x 1-3/4"	1
17.	6670097		Ring, Retaining Truarc No. 5144-37	2
18.	6714063	60024-2	Screw, Round Head Machine 1/4"-20 x 1/2" long	4
19.	6714083	60109-2	Screw, Button Head Socket Cap 1/4"-20 x 1/2" long	7
20.	6716002	60033-2	Screw, Washer Head 3/8"-16 x 3/4" long	1
21.	6861200		Washer, Lock	1
22.	6861101	60026-2	Washer, Flat Plain 1/4"	4
23.	3752202		Spool, Saw Guard 5/8"	1
24.	6670028	60099-6	Ring, Retaining Truarc Ext. No. 5133-50	4
25.	6715037	60067-6	Screw, Hex Head 5/16"-18 x 1-1/2"	1
26.	3712002		Shaft, Splitter Support	1

OLD OVERHANGING GUARD ASSEMBLY PARTS

1.	2695003		Screw, Lock Assembly	1
2.	3025038	18145-1	Arm, Pivot Guard R.H.	1
3.	3025039	18145-2	Arm, Pivot Guard L.H.	1
4.	3046202	40071	Bearing	2
5.	3064072	18042	Bracket, Tube Holding	1
6.	3096003	40076	Collar, Locking	4
7.	3250300		Guard Blade	2
8.	6710061		Screw, Button Head Socket 10-24 x 1/4"	3
9.	3044301		Bar, Splitter	1
10.	3584221		Spacer, Guard 3/16" thick	1
11.	3581005		Pawl, Anti-kickback	2
12.	3595327		Plate, Safety	1
13.	3690232		Jackscrew, Hex Head 3/4"-16 x 1-1/2"	1
14.	3739204		Spacer	1
15.	3712002		Shaft, Splitter Support	1
16.	3750008		Splitter	1
17.	3787001		Support, Rear Splitter	1
18.	3791001	30055	Support, Tube	1
19.	3816012		Tube, Mounting	1
20.	3064294		Bracket, Safety Plate	1
21.	6572005		Nut, Hex Jam Steel 3/4"-16	1
22.	6626040	60011-1	Pin, Spring 1/4" x 1-1/4"	1
23.	6680005	60098-1	Rivet, Flat Head, 1/4" x 7/8" long	2
24.	6680009	60097-1	Rivet, Flat Head 5/16" x 7/8" long	2
25.	6710061		Screw, Button Head Socket 10-24 x 3/8"	3
26.	6714083	60109-2	Screw, Button Head Hex 1/4"-20 x 1/2" long	1
27.	6716002	6025-11	Screw, Hex Head 3/8"-16 x 1" long	1
28.	6716133	60133-1	Screw, Thumb 5/16"-18 x 1" long	4
29.	6861200	60063-2	Washer, Lock Spring 5/16" regular	1
30.	6670097		Ring, Retaining Truarc No. 5144-37	2
31.	6861300		Washer, Lock 3/8"	2
32.	6716031		Screw, Hex Head Cap 3/8"-16 x 1"	2



OLD SPLITTER & GUARD ASSEMBLY PARTS



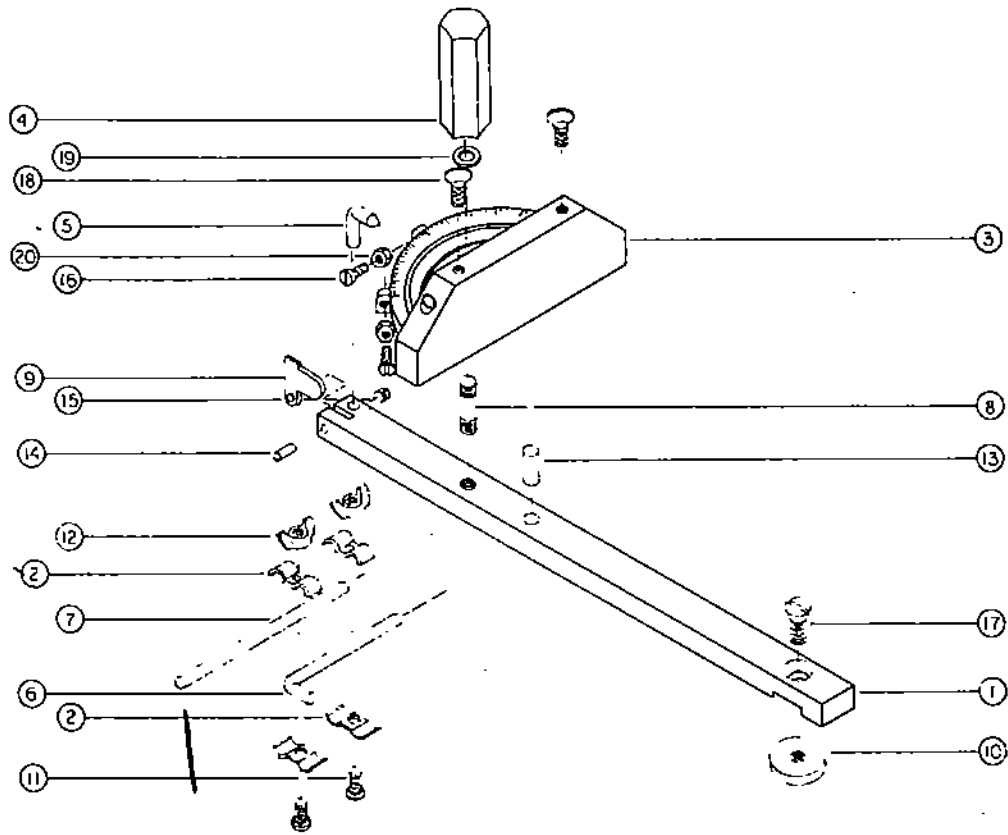
OLD OVERHANGING GUARD ASSEMBLY PARTS

MITER GAUGE ASSEMBLY PARTS

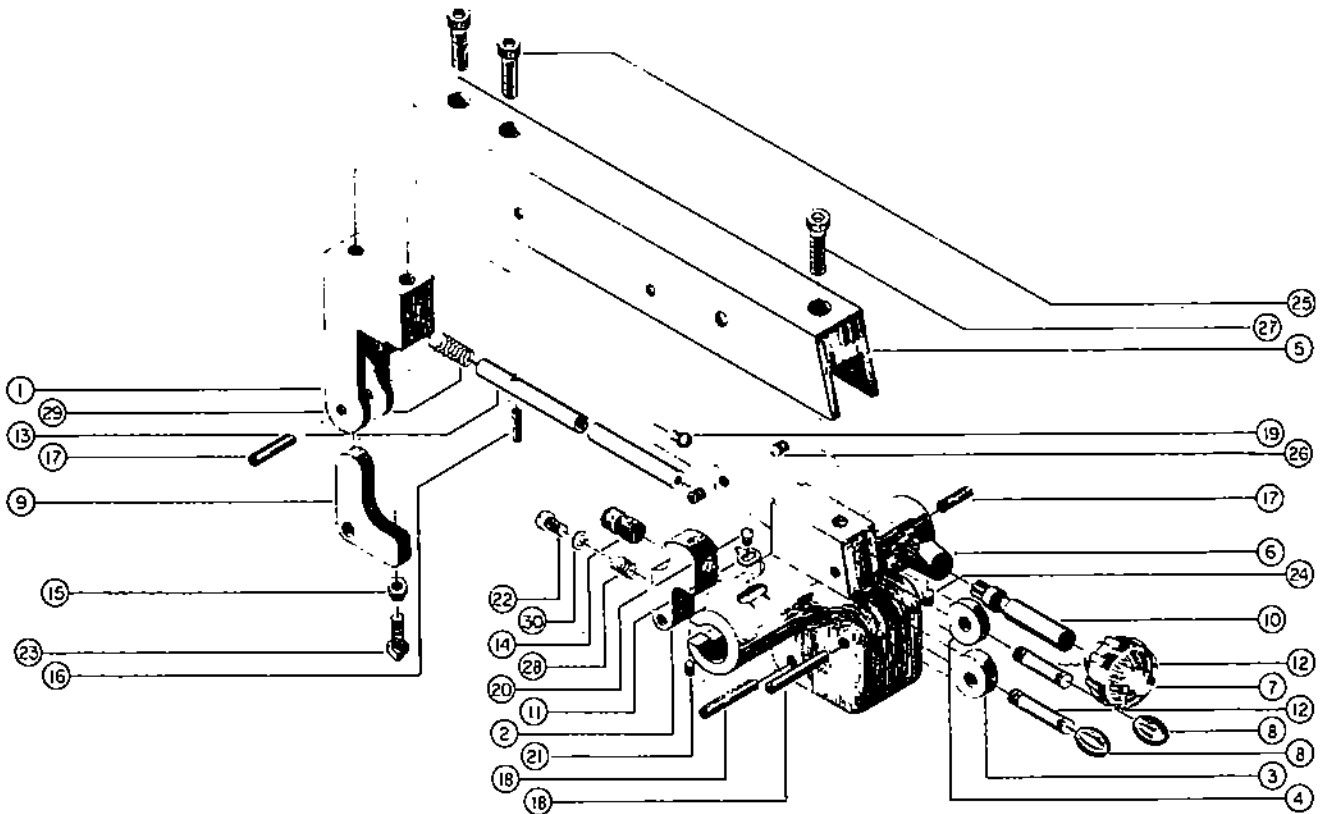
NO.	PART NO.	OLD PART NO.	DESCRIPTION	QUANTITY
1.	3044053	40027	Bar, Miter Gauge	1
2.	3092001	30018	Clamp, Stop Rod	4
3.	3230004	18018	Miter, Gauge Small Clamp	1
4.	3268050	40104	Knob, Miter Gauge Handle	1
5.	3604012	40026	Pointer, Miter Gauge	1
6.	3670002	40024	Rod, 90° Stop	1
7.	3670003	40025	Rod, Miter Gauge Straight	1
8.	3695221	40105	Screw, Locking 1/4" x 3-3/8"	1
9.	3761001	30019	Stop, Miter Gauge	1
10.	3841202	40028	Washer, Miter Gauge Bar	1
11.	6086000	60056-1	Bolt, Carriage Steel 10-24 x 3/4"	2
12.	6510002	60045-1	Nut, Wing Steel Plain 10-24	2
13.	6623012	60047-1	Pin, Dowel 1/4" x 1"	1
14.	6626055	60007-2	Pin, Spring 1/8" x 1/4"	1
15.	6706001	60048-1	Setscrew, Socket Head C.P. 6-32 x 1/4"	1
16.	6706027	60055-1	Screw, Fillister Head Machine 6-32 x 5/8"	3
17.	6714053	60049-1	Cap Screw, Flat Head 1/4"-20 x 3/8"	1
18.	6714080	60046-1	Screw, Thumb 1/4"-20 x 1/2"	2
19.	6861101	60026-2	Washer, Flat Plain 1/4"	1
20.	6506001	60002-4	Nut, Hex 6-32	3

FENCE ASSEMBLY PARTS

1.	3063027	18011	Bracket, Fence Mounting Rear	1
2.	3064033	65-263	Bracket	1
3.	3076001	40019	Cam, Front Lock	1
4.	3076227	40016	Cam, Rear Lock	1
5.	3195006	72-165	Fence Casting	1
6.	3196002	72-168	Fence Carriage TA-74 C.I.	1
7.	3406017	18072	Knob	1
8.	3406201	60021	Knob, Tear Drop, Nylon	1
9.	3448001	18012	Lock, Rear	1
10.	3586007	40018	Pinion, Fence Carriage	1
11.	3604005	65-181A	Pointer, Aluminum .051 T.A.	1
12.	3670039	65-185	Rod, Cam Handle	1
13.	3670056	72-186	Rod	1
14.	3690204	65-260	Screw, Adjusting (stud) 9/16"-24	1
15.	6514001	60002-2	Nut, Hex 1/4"-20	1
16.	6626001	60007-1	Pin, Spring 1/8" x 5/8"	1
17.	6626038	60008-1	Pin, Spring 1/4" x 1" long	1
18.	6626050	60010-2	Pin, Spring 3/8" x 1-3/4" long	2
19.	6680019		Rivet, .188" diameter x 1/2" long x 3/8", oval head	1
20.	6706037	60017-3	Screw, Round Head Machine 6-32 x 3/16"	1
21.	6714003		Setscrew, Socket Head C.P. (knurled) 1/4"-20 x 3/8"	1
22.	6714062		Screw, Round Head 1/4"-20 x 5/8"	1
23.	6714072	60169-6	Screw, Flat Point, Square Head Set 1/4"-20 x 1"	1
24.	6714015		Screw, Socket Head Cap 1/4"-20 x 1/2"	1
25.	6715027	60005-8	Screw, Socket Head Cap 5/16"-18 x 1-3/4"	2
26.	6716005		Setscrew, Socket Head Cap C.P. 3/8"-16 x 7/16"	2
27.	6716017	60004-6	Screw, Socket Head Cap 3/8"-16 x 1-3/4"	1
28.	6813060		Spring, No. 65-2 7/16" OD x 1-5/16"	1
29.	6813068	60019	Spring, No. AS16143, 9/16" OD x 2" long	1
30.	6861100		Washer, Lock Spring 1/4" regular	1



MITER GAUGE ASSEMBLY PARTS



FENCE ASSEMBLY PARTS