



SERVICE PARTS LIST

BULLETIN NO.
54-42-5504

SPECIFY CATALOG NO. AND SERIAL NO. WHEN ORDERING PARTS		REVISED BULLETIN 54-42-5503	DATE Sept. '86
POSITIVE CLUTCH REV. SCREWDRIVER		WIRING INSTRUCTION 58-01-0015	
CATALOG NO. 6798-1	STARTING SERIAL NO. 450-182000		

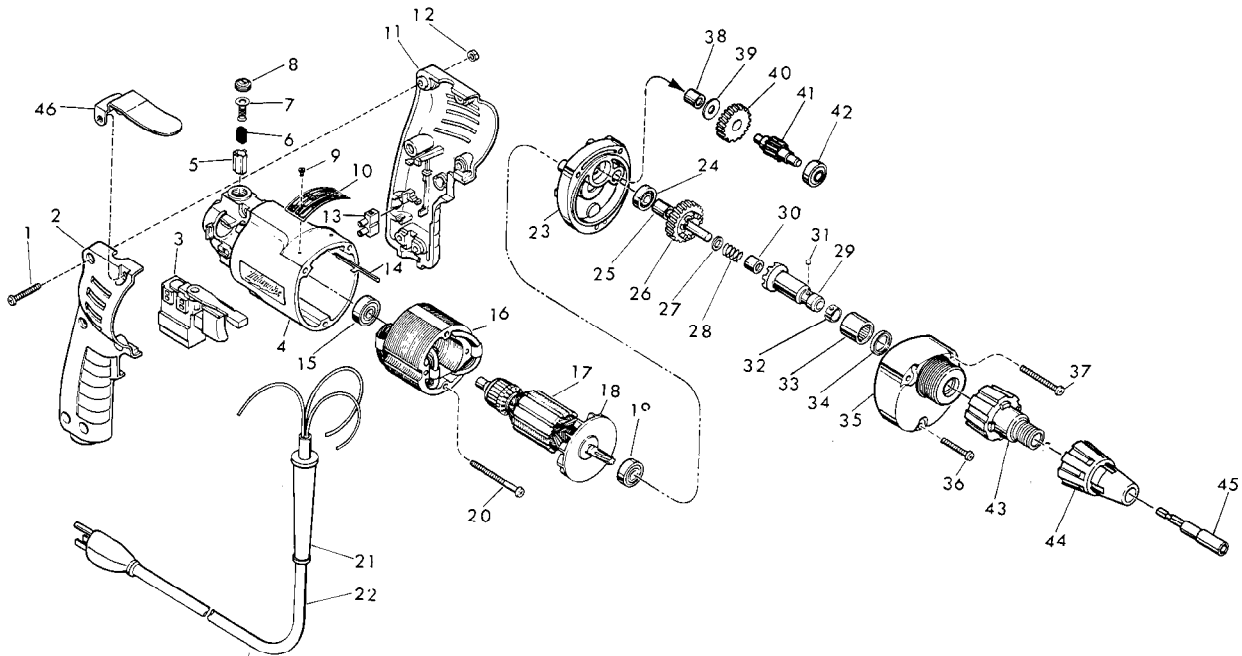


FIG.	PART NO.	DESCRIPTION OF PART	NO. REQ.	FIG.	PART NO.	DESCRIPTION OF PART	NO. REQ.
★	1	06-81-0473 8-32 x 1" Pan Hd. Pozi Dr. Screw	(6)	★	32	40-50-0510 Bit Retaining Spring	(1)
★	2	31-44-1130 Right Handle Half	(1)	★	33	02-50-4220 Needle Roller Bearing	(1)
★	3	23-66-1245 Speed Control Switch	(1)	★	34	45-06-0106 Oil Seal	(1)
★	4	31-50-0345 Motor Housing	(1)	★	35	14-30-0600 Gear Case Assembly	(1)
★	5	22-20-0530 Brush Tube	(2)	★	36	06-95-0175 7-18 x 1-1/2" Pan Hd. Pozi Driv Screw	(1)
★	6	22-16-0275 Carbon Brush	(2)	★	37	06-95-0155 7-18 x 2-1/2" Pan Hd. Pozi Dr. Screw	(2)
★	7	23-52-0210 Brush Spring Assembly	(2)	★	38	02-50-2410 Needle Bearing	(1)
★	8	23-44-0120 Brush Retaining Screw	(2)	★	39	45-88-7990 Thrust Washer	(1)
★	9	06-85-0200 Nameplate Screw	(2)	★	40	32-40-1612 Intermediate Gear	(1)
★	10	12-99-0445 Nameplate Blank	(1)	★	41	36-66-4101 Intermediate Pinion Shaft	(1)
★	11	31-44-1140 Left Handle Half	(1)	★	42	02-04-0640 Ball Bearing	(1)
★	12	06-55-0835 8-32 Hex Nut	(6)	43	48-32-2500 Bit Housing	(1)	
★	13	22-56-0455 Terminal Block	(1)	44	49-26-0250 Locator Assembly - 1/4" Hex Socket	(1)	
★	14	44-60-0530 Ground Pin	(1)		49-26-0312 Locator Assembly - 5/16" Hex Socket	(1)	
★	15	02-04-0645 Ball Bearing	(1)		49-26-0375 Locator Assembly - 3/8" Hex Socket	(1)	
★	16	18-10-0130 120V Field	(1)	45	49-66-3016 5/16" Hex Socket	(1)	
★	17	16-10-0591 120V Armature (Includes Fig. No. 18)	(1)	★	46	48-67-0101 Belt Clip	(1)
★	18	22-84-0440 Fan Assembly	(1)				
★	19	02-04-0848 Ball Bearing	(1)				
★	20	06-95-0180 7-18 x 2" Pan Hd. Plastite Screw	(2)				
★	21	44-76-0130 Cord Protector	(1)				
★	22	22-64-1120 Cord Set	(1)				
★	23	28-28-1800 Diaphragm	(1)				
★	24	02-04-0645 Ball Bearing	(1)				
★	25	45-36-1280 Spacer	(1)				
★	26	32-10-4045 Clutch Gear Assembly	(1)				
★	27	45-88-0712 Thrust Washer	(1)				
★	28	40-50-6600 Separator Spring	(1)				
★	29	42-66-0766 Clutch Chuck Assy. (Incl. Fig. Nos. 30 Thru 32)	(1)				
★	30	02-50-2400 Needle Bearing	(1)				
★	31	02-02-0130 Steel Ball	(1)				

NOTES:

Screws Fig. No. 1, Fig. No. 20 & Fig. Nos. 36 & 37 Should Be Torqued To 15-20 Lbs.

LUBRICATION

Use 1-1/2 Oz. Of Type "E" Grease In Gear Case