



SERVICE PARTS LIST

BULLETIN NO.
54-42-5433

SPECIFY CATALOG NO. AND SERIAL NO. WHEN ORDERING PARTS		REVISED BULLETIN 54-42-5432	DATE Mar. '95
MAGNUM SCREW-SHOOTER		WIRING INSTRUCTION 58-01-1600	
CATALOG NO. 6794-1	STARTING SERIAL NO. 547-99774		

EXAMPLE:
Component Parts
(Small #) Are
Included When
Ordering The
Assembly (Large #).

00/0

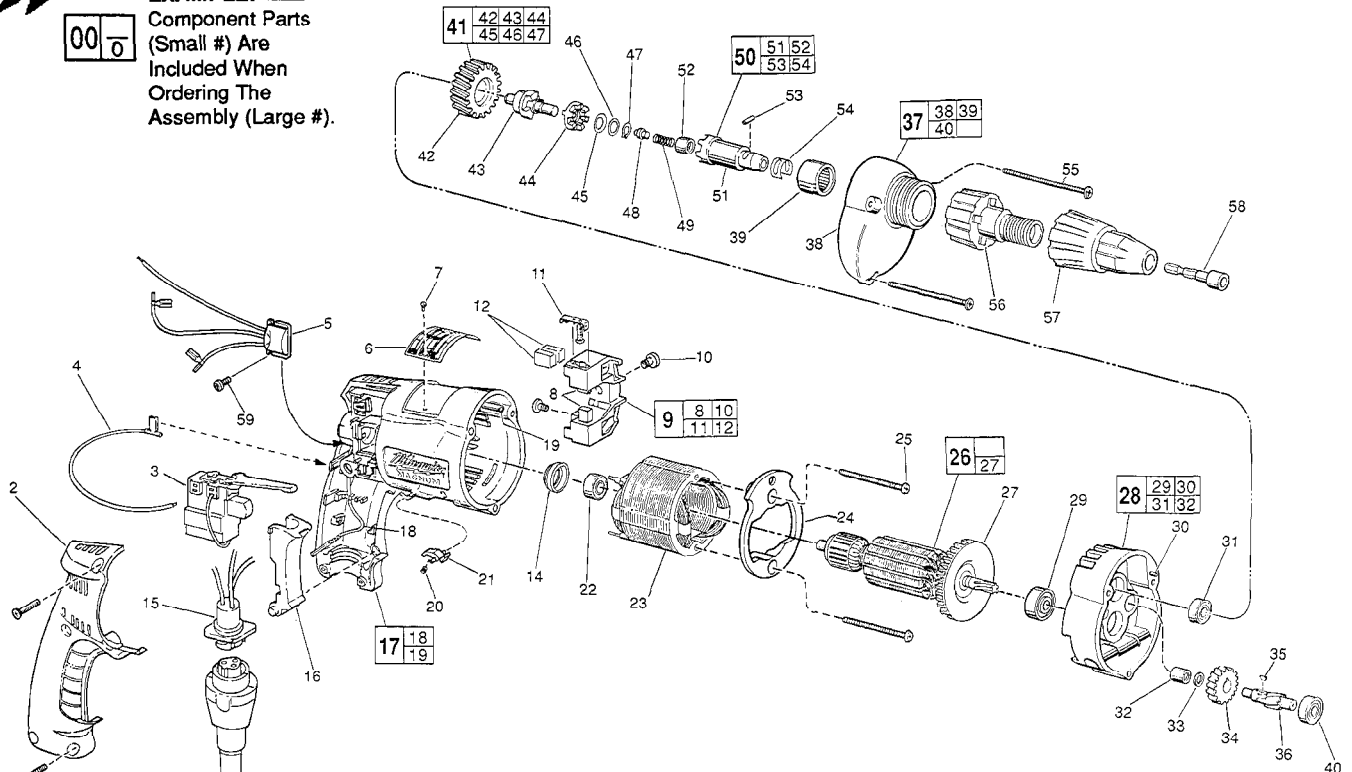


FIG.	PART NO.	DESCRIPTION OF PART	NO. REQ.
	1	06-82-7266 7-18 x 11/16" Plastite T-20	(5)
★	2	31-15-0402 Handle Cover	(1)
	3	23-66-1665 Reversing Switch	(1)
	4	23-94-6245 2-1/4" Lead Assembly	(1)
★	5	14-20-0765 Remote Electronic Assembly	(1)
	6	12-99-0081 Nameplate Blank	(1)
★	7	06-72-1720 Nameplate Rivet	(2)
	8	22-16-0275 Carbon Brush	(2)
	9	22-22-0351 Brush Holder Assembly	(1)
	10	31-75-0040 Brush Holder Screw	(2)
	11	22-20-0345 Brush Spring Assembly	(1)
	12	22-16-0275 Carbon Brush (Spares)	(2)
	13	48-76-4008 Cord Set	(1)
	14	22-72-0100 Bearing Cup	(1)
	15	22-56-0630 Pin Housing Assembly	(1)
	16	45-72-0080 Trigger	(1)
	17	14-38-0540 Motor Housing Assembly	(1)
	18	23-94-9960 Ground Wire Assembly	(1)
	19	44-60-1290 Grounding Pin	(1)
	20	40-50-0085 Lock Button Spring	(1)
★	21	42-42-0460 Lock Button	(1)
	22	02-04-0645 Ball Bearing	(1)
	23	18-11-0075 120 Volt Field	(1)
★	24	42-14-0390 Baffle	(1)
★	25	06-82-7398 7-18 x 2-1/16" Pan Hd. Plast.T-20	(2)
★	26	16-10-0800 120 Volt Armature Assembly	(1)
★	27	22-84-0880 Fan Assembly	(1)
	28	14-13-0475 Diaphragm Assembly	(1)
	29	02-04-0847 Ball Bearing	(1)
	30	06-65-0825 1/8 x 1/2 Groove Pin No. 5	(1)
	31	02-04-0645 Ball Bearing	(1)
	32	02-50-1620 Needle Bearing	(1)
	33	45-88-7721 Heat Treated Washer	(1)
	34	32-40-1815 Intermediate Gear	(1)

FIG.	PART NO.	DESCRIPTION OF PART	NO. REQ.
	35	06-42-0400 Woodruff Key	(1)
	36	36-66-4250 Intermediate Pinion	(1)
	37	14-30-0340 Gear Case Assembly	(1)
	38	----- Gear Case	(1)
	39	02-50-4050 Needle Bearing	(1)
	40	02-04-0640 Ball Bearing	(1)
	41	32-10-4035 Clutch Gear Assembly	(1)
	42	32-75-2920 Spindle Gear	(1)
	43	36-14-0680 Gear Shaft	(1)
	44	42-70-5030 Drive Clutch	(1)
	45	45-88-0705 Spring Washer	(1)
	46	45-88-0550 Flat Washer	(1)
	47	34-60-0510 External Retaining Ring	(1)
	48	44-60-0500 Thrust Pin	(1)
	49	40-50-0080 Separator Spring	(1)
	50	14-73-0120 Chuck Shaft Assembly	(1)
	51	42-66-6770 Chuck Shaft	(1)
	52	02-50-1615 Needle Bearing	(1)
	53	02-55-0150 Loose Roller Bearing	(1)
	54	40-50-1450 Bit Retaining Spring	(1)
	55	06-82-7411 7-18 x 2-3/16" Pan Hd. T-20	(3)
	56	48-32-2500 Bit Housing	(1)
	57	49-26-0250 Locator 1/4" Hex Socket	(1)
		49-26-0312 Locator 5/16" Hex Socket	(1)
		49-26-0375 Locator 3/8" Hex Socket	(1)
	58	49-66-3016 5/16" Socket Extension - Magnetic	(1)
	59	06-82-7212 4-20 x 1/4" Pan Hd. Plastite T-10	(1)
		10-98-5986 Warning Label	(1)

FIG. LUBRICATION

38 1-1/2 Oz. Type "E" Grease, No. 49-08-4122.
Place Grease Near Intermediate Shaft Ball Bearing In Gear Case.

MILWAUKEE ELECTRIC TOOL CORPORATION
13135 W. LISBON RD., BROOKFIELD, WI 53005