



SERVICE PARTS LIST

**BULLETIN NO.
54-42-0095**

SPECIFY CATALOG NO. AND SERIAL NO. WHEN ORDERING PARTS		REVISED BULLETIN 54-42-0094	DATE July '94
MAGNUM SCREW-SHOOTER		WIRING INSTRUCTION 58-01-0077	
CATALOG NO. 6793-1	STARTING SERIAL NO. 695-25531		

EXAMPLE:
Component Parts
(Small #) Are
Included When
Ordering The
Assembly (Large #).

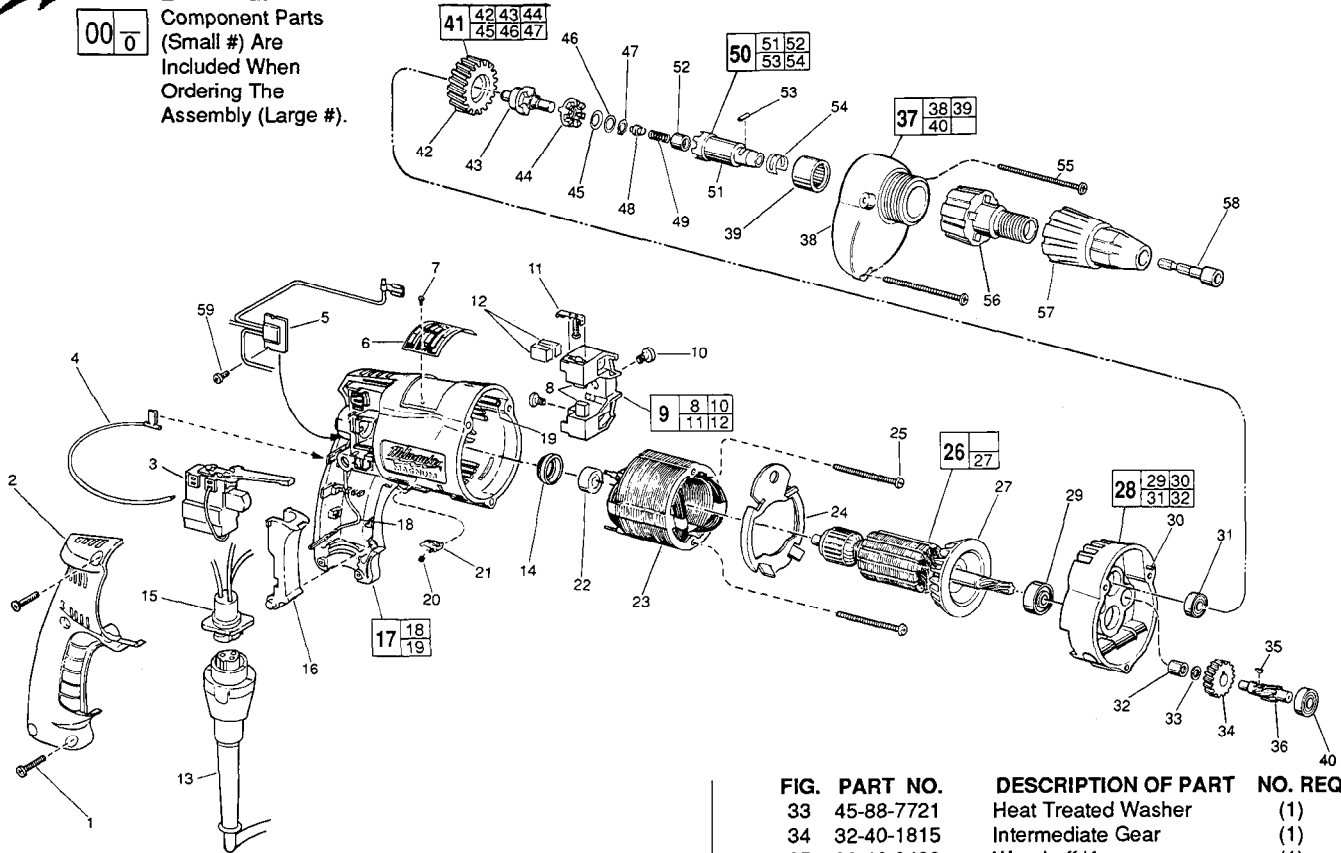


FIG.	PART NO.	DESCRIPTION OF PART	NO. REQ.
1	06-82-7266	7-18 x 11/16" Plastite T-20	(5)
2	31-15-0401	Handle Cover	(1)
3	23-66-1665	Reversing Switch	(1)
4	23-94-6245	2-1/4" Lead Assembly	(1)
5	14-20-0250	Remote Electronic Assembly	(1)
6	12-99-0081	Nameplate Blank	(1)
7	06-85-0200	Nameplate Screw	(2)
8	22-16-0275	Carbon Brush	(2)
9	22-22-0351	BrushHolder Assembly	(1)
10	31-75-0040	Brush Holder Screw	(2)
11	22-20-0345	Brush Spring Assembly	(2)
12	22-16-0275	Carbon Brush (Spares)	(2)
13	48-76-4008	Cord Set	(1)
14	22-72-0100	Bearing Cup	(1)
15	22-56-0630	Pin Housing Assembly	(1)
16	45-72-0080	Trigger	(1)
17	14-38-0540	Motor Housing Assembly	(1)
18	23-94-9960	Ground Wire Assembly	(1)
19	44-60-1290	Grounding Pin	(1)
20	40-50-0085	Lock Button Spring	(1)
21	42-42-0150	Lock Button	(1)
22	02-04-0645	Ball Bearing	(1)
23	18-11-0075	120 Volt Field	(1)
24	42-14-0345	Baffle	(1)
25	06-82-7393	7-18 x 2" Pan Hd. Plastite T-20	(2)
26	16-10-0500	120 Volt Armature Assembly	(1)
27	22-84-0650	Fan Assembly	(1)
★ 28	14-13-0475	Diaphragm Assembly	(1)
29	02-04-0847	Ball Bearing	(1)
30	06-65-0825	1/8 x 1/2 Groove Pin	(1)
31	02-04-0645	Ball Bearing	(1)
32	02-50-1620	Needle Bearing	(1)

FIG.	PART NO.	DESCRIPTION OF PART	NO. REQ.
33	45-88-7721	Heat Treated Washer	(1)
34	32-40-1815	Intermediate Gear	(1)
35	06-42-0400	Woodruff Key	(1)
36	36-66-4280	Intermediate Pinion	(1)
37	14-30-0340	Gear Case Assembly	(1)
38		Gear Case	(1)
39	02-50-4050	Needle Bearing	(1)
40	02-04-0640	Ball Bearing	(1)
41	32-10-4030	Clutch Gear Assembly	(1)
42	32-75-2940	Spindle Gear	(1)
43	36-14-0680	Gear Shaft	(1)
44	42-70-5030	Drive Clutch	(1)
45	45-88-0705	Spring Washer	(1)
46	45-88-0550	Flat Washer	(1)
47	34-60-0510	External Retaining Ring	(1)
48	44-60-0500	Thrust Pin	(1)
49	40-50-0080	Separator Spring	(1)
50	14-73-0120	Chuck Shaft Assembly	(1)
51	42-66-6770	Chuck Shaft	(1)
52	02-50-1615	Needle Bearing	(1)
53	02-55-0150	Loose Roller Bearing	(1)
54	40-50-1450	Bit Retaining Spring	(1)
55	06-82-7411	7-18 x 2-3/16" Pan Hd. T-20	(3)
56	48-32-2500	Bit Housing	(1)
57	49-26-0250	Locator 1/4" Hex Socket	(1)
	49-26-0312	Locator 5/16" Hex Socket	(1)
	49-26-0375	Locator 3/8" Hex Socket	(1)
58	49-66-3016	5/16" Socket Extension - Magnetic	(1)
59	06-82-7212	4-20x1/4" Pan Hd. Plastite T-10	(2)
	10-98-5986	Warning Label	(1)

FIG. LUBRICATION

38 1-1/2 OZ. Type "E" Grease, No. 49-08-4122.
Place Grease Near Intermediate Shaft Ball
Bearing In Gear Case.

MILWAUKEE ELECTRIC TOOL CORPORATION
13135 W. LISBON RD., BROOKFIELD, WI 53005