



# SERVICE PARTS LIST

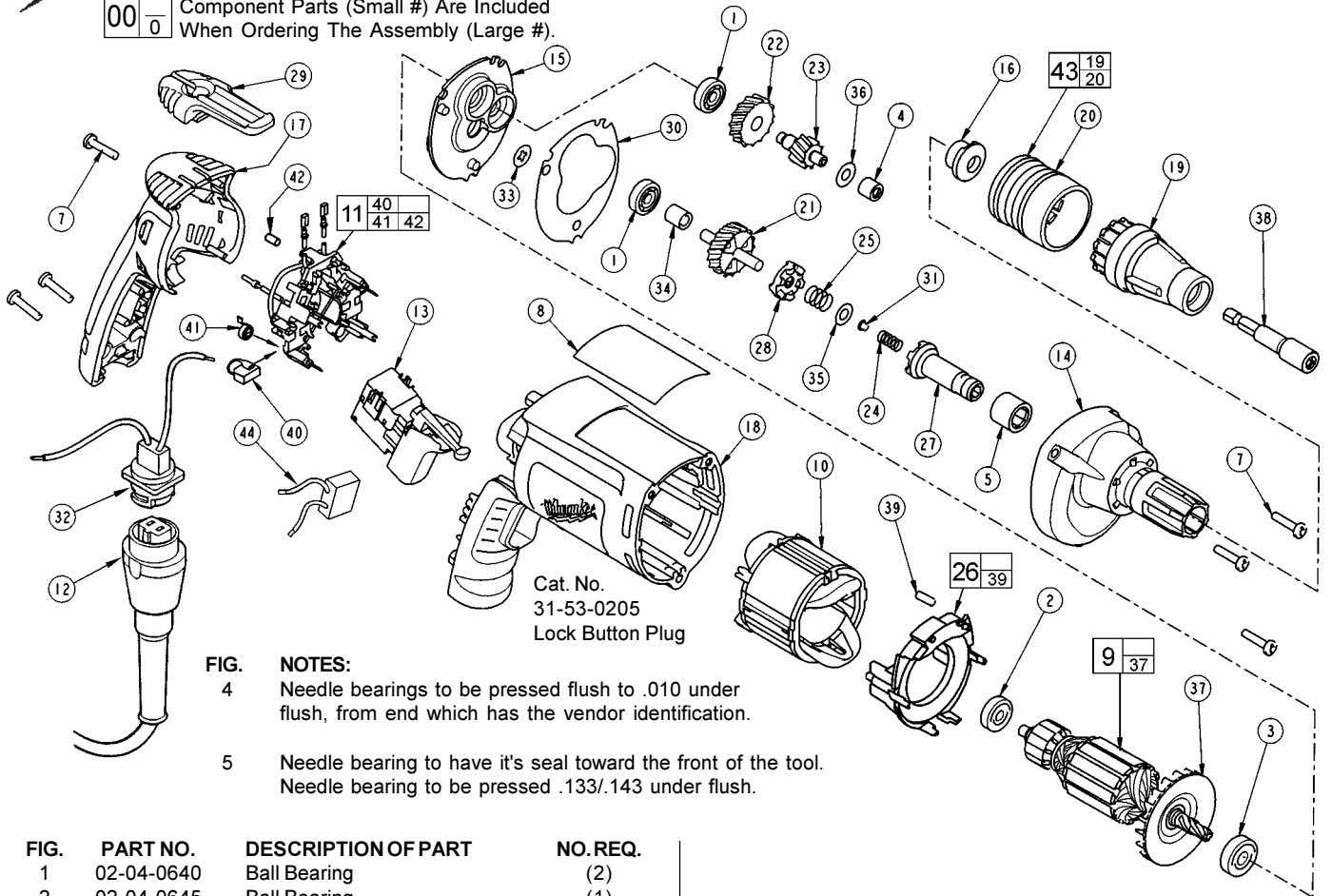
**BULLETIN NO.**  
**55-42-6250**

SPECIFY CATALOG NO. AND SERIAL NO. WHEN ORDERING PARTS		REVISED BULLETIN	DATE
<b>DEPTH LOCATING TEK DRIVER</b>			Feb. 2002
CATALOG NO. <b>6790-50</b>	STARTING SERIAL NO. <b>179A</b>	WIRING INSTRUCTION <b>58-03-1805</b>	

**EXAMPLE:**  

00	0
----	---

 Component Parts (Small #) Are Included  
 When Ordering The Assembly (Large #).



- FIG. NOTES:**
- 4 Needle bearings to be pressed flush to .010 under flush, from end which has the vendor identification.
  - 5 Needle bearing to have it's seal toward the front of the tool.  
Needle bearing to be pressed .133/.143 under flush.

FIG.	PART NO.	DESCRIPTION OF PART	NO. REQ.
1	02-04-0640	Ball Bearing	(2)
2	02-04-0645	Ball Bearing	(1)
3	02-04-0852	Ball Bearing	(1)
4	02-50-2400	Needle Bearing	(1)
5	02-50-3245	Needle Bearing	(1)
7	06-82-7275	7-18 x 3/4 Slotted Plastite Torx T-20	(6)
8	12-99-2690	Service Nameplate	(1)
9	16-14-2205	Armature	(1)
10	18-04-2200	Field	(1)
11	22-18-1220	Brush Card Assembly	(1)
12	48-76-5012	Quik-Lok Cord Set	(1)
12	22-64-0684	Quik-Lok Cord Set (Australia)	(1)
13	23-66-2135	Switch	(1)
14	28-14-2380	Gearcase	(1)
15	28-28-2315	Diaphragm	(1)
16	30-37-0055	Tek Nose Guide	(1)
17	31-15-2030	Handle Halve	(1)
18	31-50-2030	Motor Housing	(1)
19	31-51-0104	Tek Locator	(1)
20	31-58-0515	Snap Sleeve	(1)
21	32-10-0525	Clutch Gear Assembly	(1)
22	32-40-0100	Intermediate Gear	(1)
23	36-66-0120	Intermediate Shaft	(1)
24	40-50-0095	Separator Spring	(1)
25	40-50-8515	Bias Spring	(1)
26	42-14-0460	Baffle Assembly	(1)
27	42-66-0715	Clutch Chuck Assembly	(1)
28	42-70-0310	Drive Clutch	(1)
29	42-70-5280	Belt Clip	(1)
30	43-44-0985	Gasket	(1)
31	44-60-0505	Thrust Pin	(1)
32	22-56-1015	Blade Housing Assembly	(1)
33	45-28-0190	Slinger - 4 Tooth	(1)
34	45-36-1280	Spacer	(1)

FIG.	PART NO.	DESCRIPTION OF PART	NO. REQ.
35	45-88-0555	Clutch Thrust Washer	(1)
36	45-88-7990	Thrust Washer	(1)
37	22-84-0845	Fan Assembly	(1)
38	49-66-3016	5/16 Hex Socket	(1)
39	45-30-0030	Slug	(2)
40	22-18-1320	Brush Assembly	(2)
41	23-52-1610	Brush Spring	(2)
42	45-30-0035	Slug	(1)
43	49-26-1082	TEK Locator Assembly	(1)
44	22-33-0550	Suppressor	(1)

- FIG. LUBRICATION:**
- 21,25 Place .02 oz. (.5 grams) of type "Y" grease, No 49-08-5270, on bias spring. Place .02 oz. (.5 grams) total of grease in the clutch pockets of clutch gear.
  - 14 Place .11 oz. (3.1 grams) of type "Y" grease on top of the inserted intermediate needle bearing. After inserting the pinion assembly, place .48 oz. (13.6 grams) of grease at the armature pinion location in the gearcase pocket and push down .20".
  - 14,15 Apply a light film of type "Y" grease to needle and ball bearing pockets in diaphragm and gearcase prior to pressing bearings in.
  - 24,31 Place .02 oz. (.5 grams) of type "Y" grease to clutch thrust washer, thrust pin and separator spring during assembly.

**MILWAUKEE ELECTRIC TOOL CORPORATION**  
 13135 W. LISBON RD., BROOKFIELD, WI 53005