

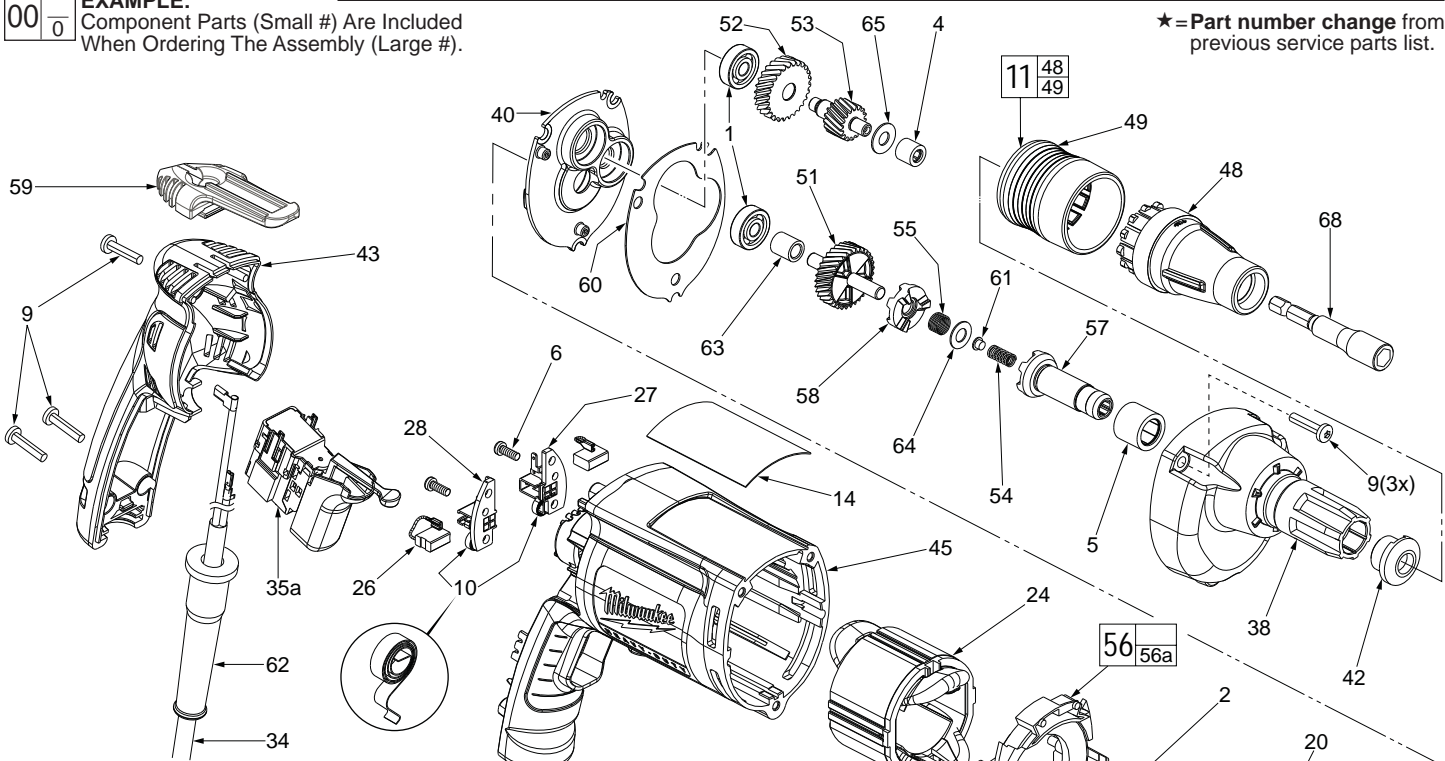


SERVICE PARTS LIST

BULLETIN NO.
54-42-6252

SPECIFY CATALOG NO. AND SERIAL NO. WHEN ORDERING PARTS		REVISED BULLETIN 54-42-6251	DATE June 2012
DEPTH LOCATING SCREWDRIVER			
CATALOG NO. 6790-20	STARTING SERIAL NO. 179C	WIRING INSTRUCTION See Pages 2 & 3	

EXAMPLE:
Component Parts (Small #) Are Included
When Ordering The Assembly (Large #).



★=Part number change from previous service parts list.

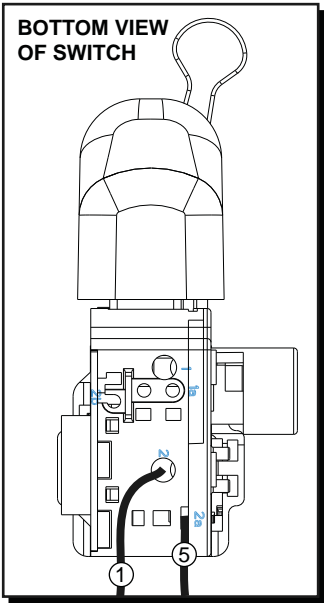
FIG.	PART NO.	DESCRIPTION OF PART	NO. REQ.
1	02-04-0640	Ball Bearing	(2)
2	02-04-0645	Ball Bearing	(1)
3	02-04-0852	Ball Bearing	(1)
4	02-50-2400	Needle Bearing	(1)
5	02-50-3245	Needle Bearing	(1)
★ 6	05-88-1610	M3.5 x 10 Pan Hd. Plastite T-10	(2)
9	06-82-7275	7-18 x 3/4" Slotted Plastite Torx T-20	(6)
10	23-52-1610	Brush Spring	(2)
11	49-26-1082	TEK Locator Assembly	(1)
14	12-99-2665	Service Nameplate	(1)
20	16-10-2205	Armature	(1)
★ 24	18-07-7210	Field	(1)
26	22-18-1310	Brush Assembly	(2)
★ 27	22-20-0090	Left Brush Holder	(1)
★ 28	22-20-0095	Right Brush Holder	(1)
34	22-64-6510	Cord Assembly	(1)
35a	23-66-2605	Switch (Defond) See page 2 wiring	(1)
35b	23-66-2585	Switch (Marquardt) See page 3 wiring	(1)
38	28-14-2380	Gearcase	(1)
40	28-28-2315	Diaphragm	(1)
42	30-37-0055	TEK Nose Guide	(1)
43	31-15-2010	Handle Halve	(1)
★ 45	31-50-3010	Motor Housing	(1)
48	31-51-0104	TEK Locator	(1)
49	31-58-0515	Snap Sleeve	(1)
51	32-10-0525	Clutch Gear Assembly	(1)
52	32-40-0100	Intermediate Gear	(1)
53	36-66-0120	Intermediate Shaft	(1)
54	40-50-0095	Separator Spring	(1)
55	40-50-8515	Bias Spring	(1)
56	42-14-0460	Baffle Assembly	(1)
56a	45-30-0030	Slug (Not Shown)	(2)
57	42-66-0715	Clutch Chuck Assembly	(1)
58	42-70-0310	Drive Clutch	(1)
59	42-70-5280	Belt Clip	(1)
60	43-44-0985	Gasket	(1)
61	44-60-0505	Thrust Pin	(1)
62	44-76-0210	Cord Protector	(1)
63	45-36-1280	Spacer	(1)
64	45-88-0555	Clutch Thrust Washer	(1)
65	45-88-7990	Thrust Washer	(1)

FIG.	PART NO.	DESCRIPTION OF PART	NO. REQ.
68	49-66-4533	5/16" Magnetic Hex Socket	(1)
★	23-94-0490	White Leadwire Assy. (See pages 2 & 3)	(1)
★	23-94-0495	Red Leadwire Assy. (See pages 2 & 3)	(1)
	31-53-0205	Lock Button Plug (Not Shown)	(1)

- LUBRICATION (Type "Y" Grease, No. 49-08-5270)**
- Fill the 3 enlarged clutch pockets of the clutch gear assembly (51) with .5 gm. (.02 oz.) grease.
 - Apply the same amount of grease in the bias spring (55).
 - Apply in total .5 gm. (.02 oz.) grease to the clutch thrust washer (64), thrust pin (61) and separator spring (54).
 - Place 7.7 gm. (.27 oz.) of grease at the armature pin location in the gearcase (38) and fill to slightly above the next higher gearcase level.
 - Apply a light film of grease to the lead chamfer of the clutch chuck (57) prior to assembly.

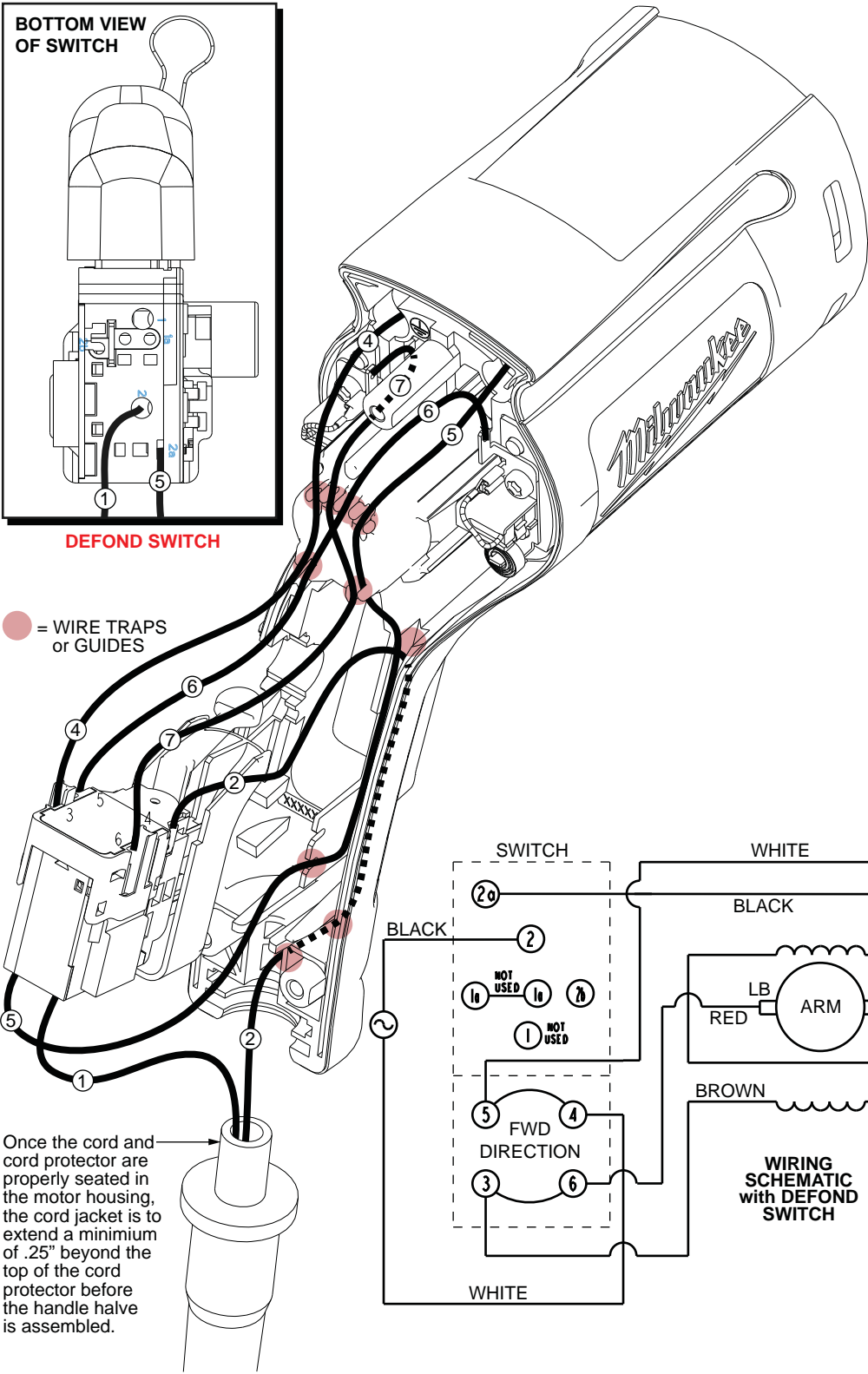
Before assembly, lightly coat all press fit areas with lightweight spindle oil.

FIG. NOTES:
5 Needle bearing to have it's seal toward the front of the tool. Needle bearing to be pressed .133/.143 under flush.



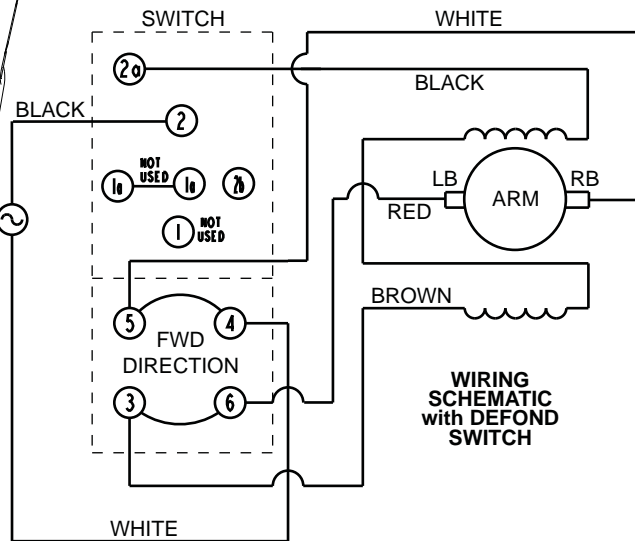
BOTTOM VIEW OF SWITCH

DEFOND SWITCH

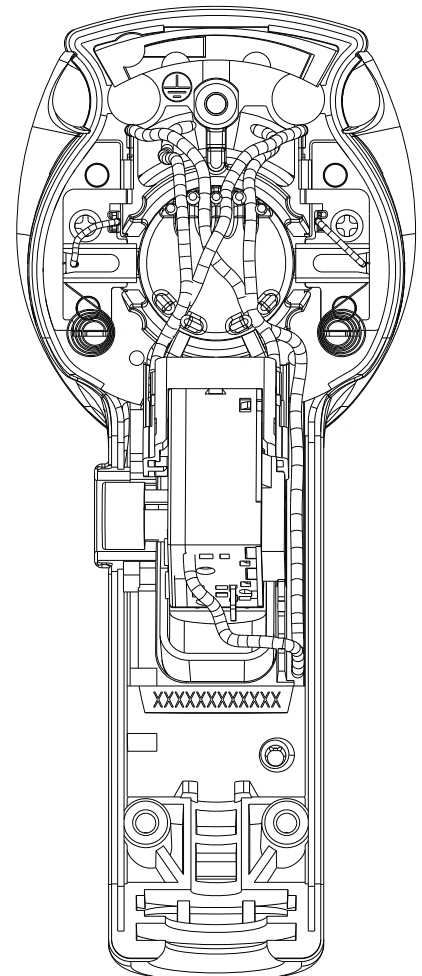


● = WIRE TRAPS or GUIDES

Once the cord and cord protector are properly seated in the motor housing, the cord jacket is to extend a minimum of .25" beyond the top of the cord protector before the handle halve is assembled.



WIRING SCHEMATIC with DEFOND SWITCH

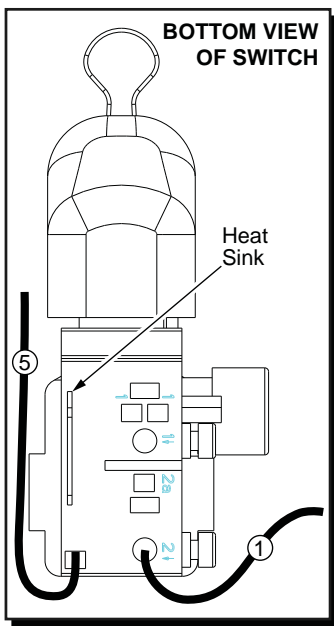


AS AN AID TO REASSEMBLY, TAKE NOTICE OF WIRE ROUTING AND POSITION IN WIRE GUIDES AND TRAPS WHILE DISMANTLING TOOL.

BE CAREFUL AND AVOID PINCHING WIRES BETWEEN HANDLE HALVES WHEN ASSEMBLING.

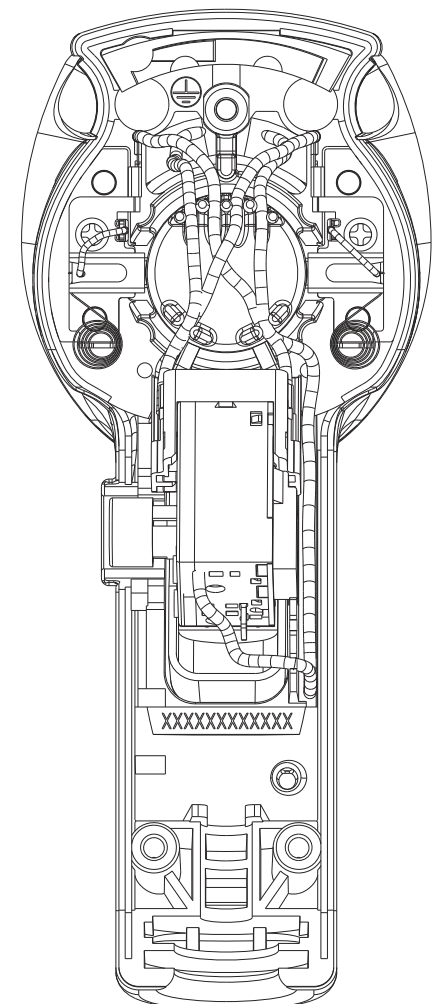
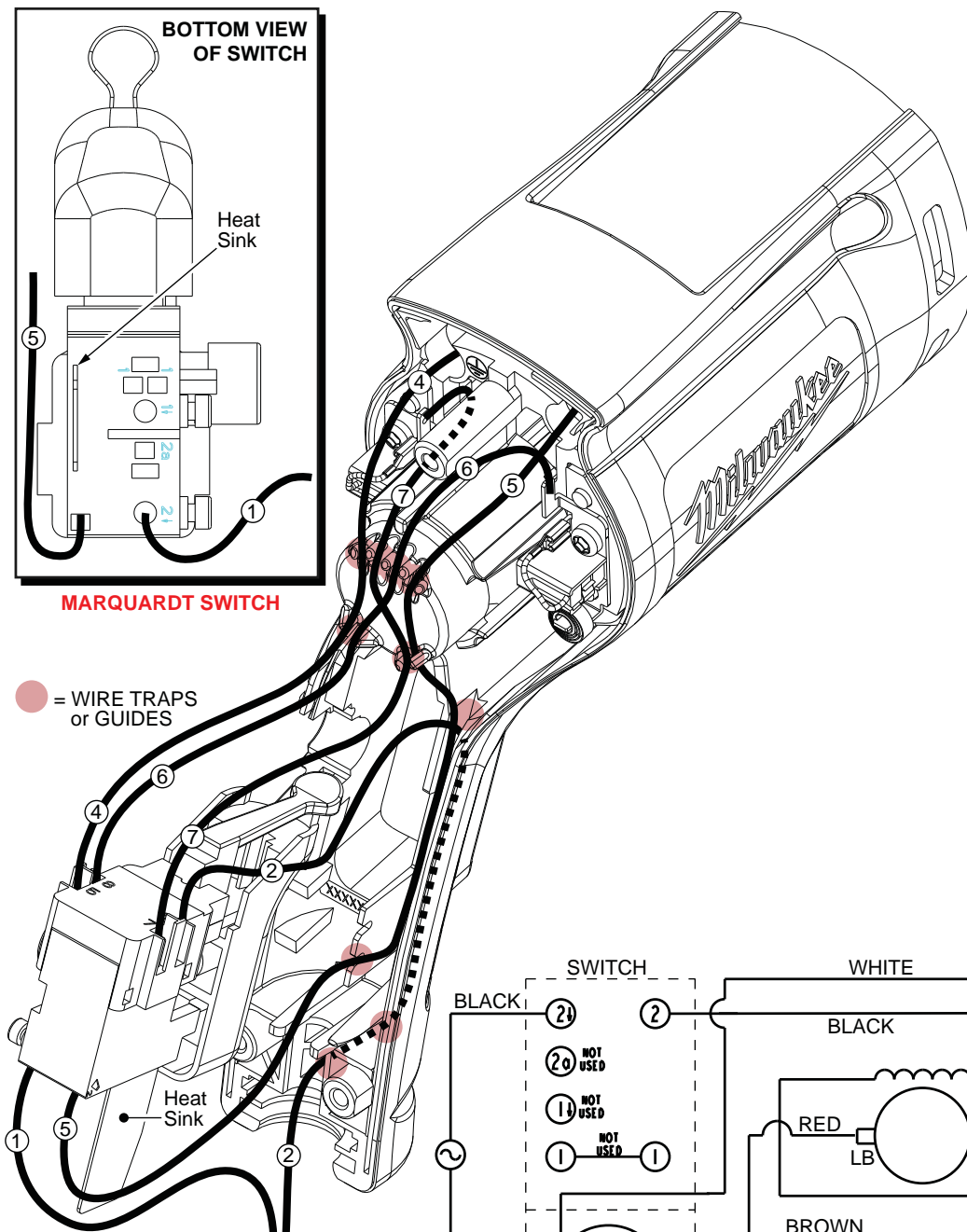
WIRING SPECIFICATIONS

Wire No.	Wire Color	Origin or Gauge	Length	Terminals, Connectors and 1 or 2 End Wire Preparation
1	Black	*	----	*Component of cord set, pin hsg. assy. or blade hsg. assy. Connect to #2 on switch bottom.
2	White	*	----	*Component of cord set, pin hsg. assy. or blade hsg. assy. Connect to #4 on switch top.
4	Brown	Field	----	Component of field. Connect to #3 on switch top.
5	Black	Field	----	Component of field. Connect to #2a on switch bottom.
6	White	23-94-0490	----	Leadwire assembly. Connect to right brush holder and #5 on switch top.
7	Red	23-94-0495	----	Leadwire assembly. Connect to left brush holder and #6 on switch top.



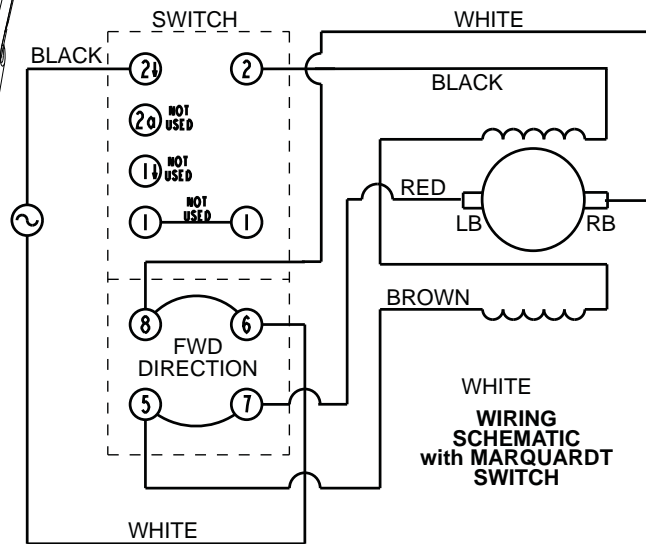
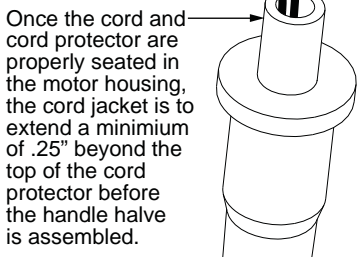
MARQUARDT SWITCH

● = WIRE TRAPS or GUIDES



AS AN AID TO REASSEMBLY, TAKE NOTICE OF WIRE ROUTING AND POSITION IN WIRE GUIDES AND TRAPS WHILE DISMANTLING TOOL.

BE CAREFUL AND AVOID PINCHING WIRES BETWEEN HANDLE HALVES WHEN ASSEMBLING.



WIRING SPECIFICATIONS

Wire No.	Wire Color	Origin or Gauge	Length	Terminals, Connectors and 1 or 2 End Wire Preparation
1	Black	*	-----	*Component of cord set, pin hsg. assy. or blade hsg. assy. Connect to #2↓ on switch bottom.
2	White	*	-----	*Component of cord set, pin hsg. assy. or blade hsg. assy. Connect to #6 on switch top.
4	Brown	Field	-----	Component of field. Connect to #5 on switch top.
5	Black	Field	-----	Component of field. Connect to #2 on switch bottom.
6	White	23-94-0490	-----	Leadwire assembly. Connect to right brush holder and #8 on switch top.
7	Red	23-94-0495	-----	Leadwire assembly. Connect to left brush holder and #7 on switch top.