



SERVICE PARTS LIST

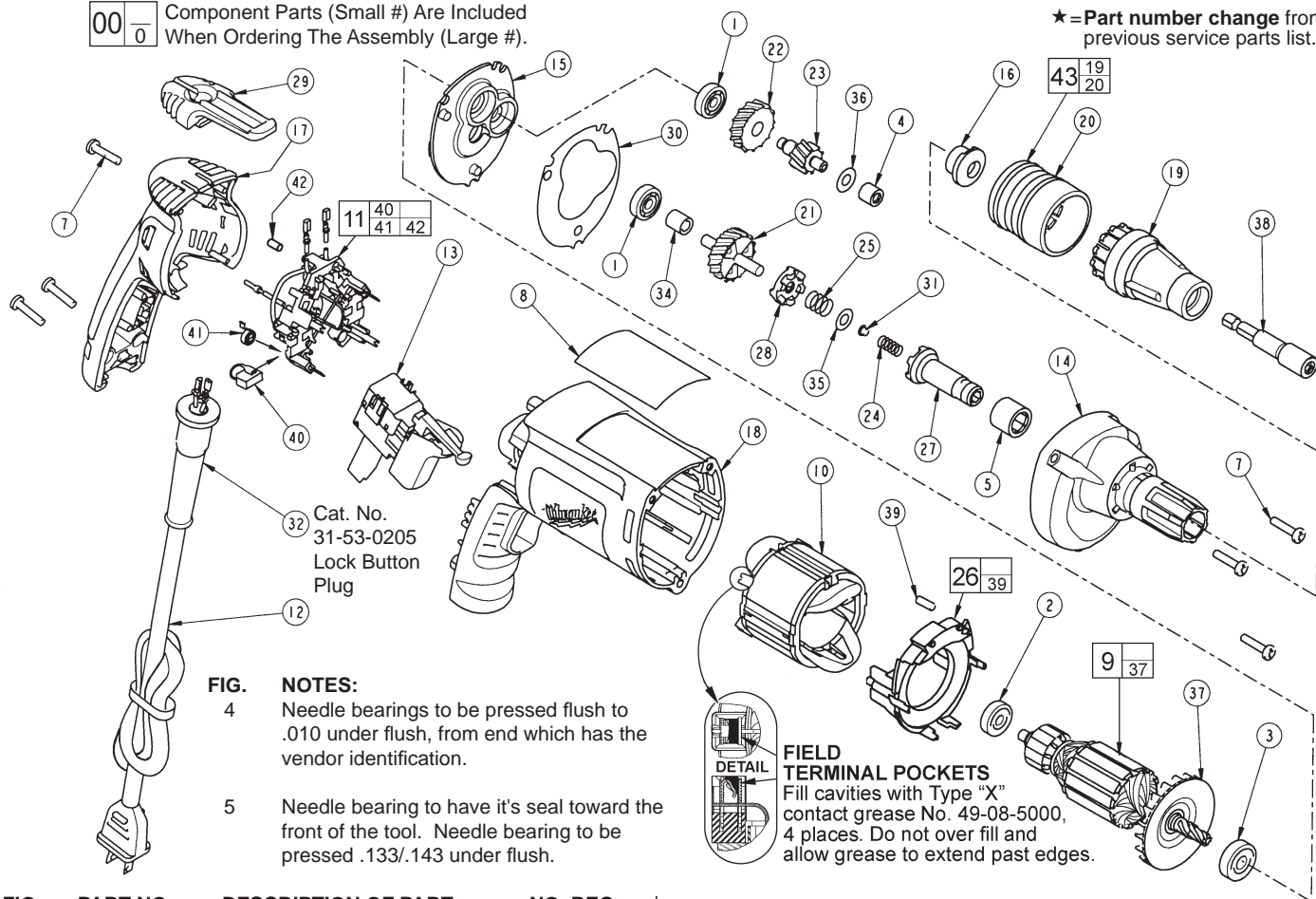
BULLETIN NO.
54-42-6251

SPECIFY CATALOG NO. AND SERIAL NO. WHEN ORDERING PARTS		REVISED BULLETIN 54-42-6250	DATE June 2011
DEPTH LOCATING SCREWDRIVER		WIRING INSTRUCTION 58-01-1806	
CATALOG NO.	6790-20	STARTING SERIAL NO.	179B

EXAMPLE:
Component Parts (Small #) Are Included
When Ordering The Assembly (Large #).

00	0
----	---

★=Part number change from
previous service parts list.



- FIG. NOTES:**
- 4 Needle bearings to be pressed flush to .010 under flush, from end which has the vendor identification.
 - 5 Needle bearing to have it's seal toward the front of the tool. Needle bearing to be pressed .133/.143 under flush.

FIELD TERMINAL POCKETS
Fill cavities with Type "X" contact grease No. 49-08-5000, 4 places. Do not over fill and allow grease to extend past edges.

FIG.	PART NO.	DESCRIPTION OF PART	NO. REQ.
1	02-04-0640	Ball Bearing	(2)
2	02-04-0645	Ball Bearing	(1)
3	02-04-0852	Ball Bearing	(1)
4	02-50-2400	Needle Bearing	(1)
5	02-50-3245	Needle Bearing	(1)
7	06-82-7275	7-18 x 3/4 Slotted Plastite Torx T-20	(6)
8	12-99-2665	Service Nameplate	(1)
9	16-10-2205	Armature	(1)
10	18-07-2200	Field	(1)
11	22-18-1210	Brush Card Assembly	(1)
12	22-64-6510	Cord Assembly	(1)
★13	23-66-2605	Switch	(1)
14	28-14-2380	Gearcase	(1)
15	28-28-2315	Diaphragm	(1)
16	30-37-0055	Tek Nose Guide	(1)
17	31-15-2010	Handle Halve	(1)
★18	31-50-4010	Motor Housing	(1)
19	31-51-0104	Tek Locator	(1)
20	31-58-0515	Snap Sleeve	(1)
21	32-10-0525	Clutch Gear Assembly	(1)
22	32-40-0100	Intermediate Gear	(1)
23	36-66-0120	Intermediate Shaft	(1)
24	40-50-0095	Separator Spring	(1)
25	40-50-8515	Bias Spring	(1)
26	42-14-0460	Baffle Assembly	(1)
27	42-66-0715	Clutch Chuck Assembly	(1)
28	42-70-0310	Drive Clutch	(1)
29	42-70-5280	Belt Clip	(1)
30	43-44-0985	Gasket	(1)
31	44-60-0505	Thrust Pin	(1)
32	44-76-0210	Cord Protector	(1)
34	45-36-1280	Spacer	(1)
35	45-88-0555	Clutch Thrust Washer	(1)
36	45-88-7990	Thrust Washer	(1)

FIG.	PART NO.	DESCRIPTION OF PART	NO. REQ.
37	22-84-0845	Fan Assembly	(1)
38	49-66-4533	5/16 Hex Socket	(1)
39	45-30-0030	Slug	(2)
40	22-18-1310	Brush Assembly	(2)
41	23-52-1610	Brush Spring	(2)
42	45-30-0035	Slug	(1)
43	49-26-1082	TEK Locator Assembly	(1)

LUBRICATION (Type "Y" Grease, No. 49-08-5270)

- Fill the 3 enlarged clutch pockets of the clutch gear assembly (21) with .5 gm. (.02 oz.) grease.
- Apply the same amount of grease in the bias spring (25).
- Apply in total .5 gm. (.02 oz.) grease to the clutch thrust washer (35), thrust pin (31) and separator spring (24).
- Place 3.6 gm. (.13 oz.) of grease on top of the inserted intermediate needle bearing (4).
- Place 13 gm. (.46 oz.) of grease at the armature pin location in the gearcase (14) and fill to slightly above the intermediate gear (22).
- Apply a light film of grease to the lead chamfer of the clutch chuck (27) prior to assembly.

Before assembly, lightly coat all press fit areas with lightweight spindle oil.