



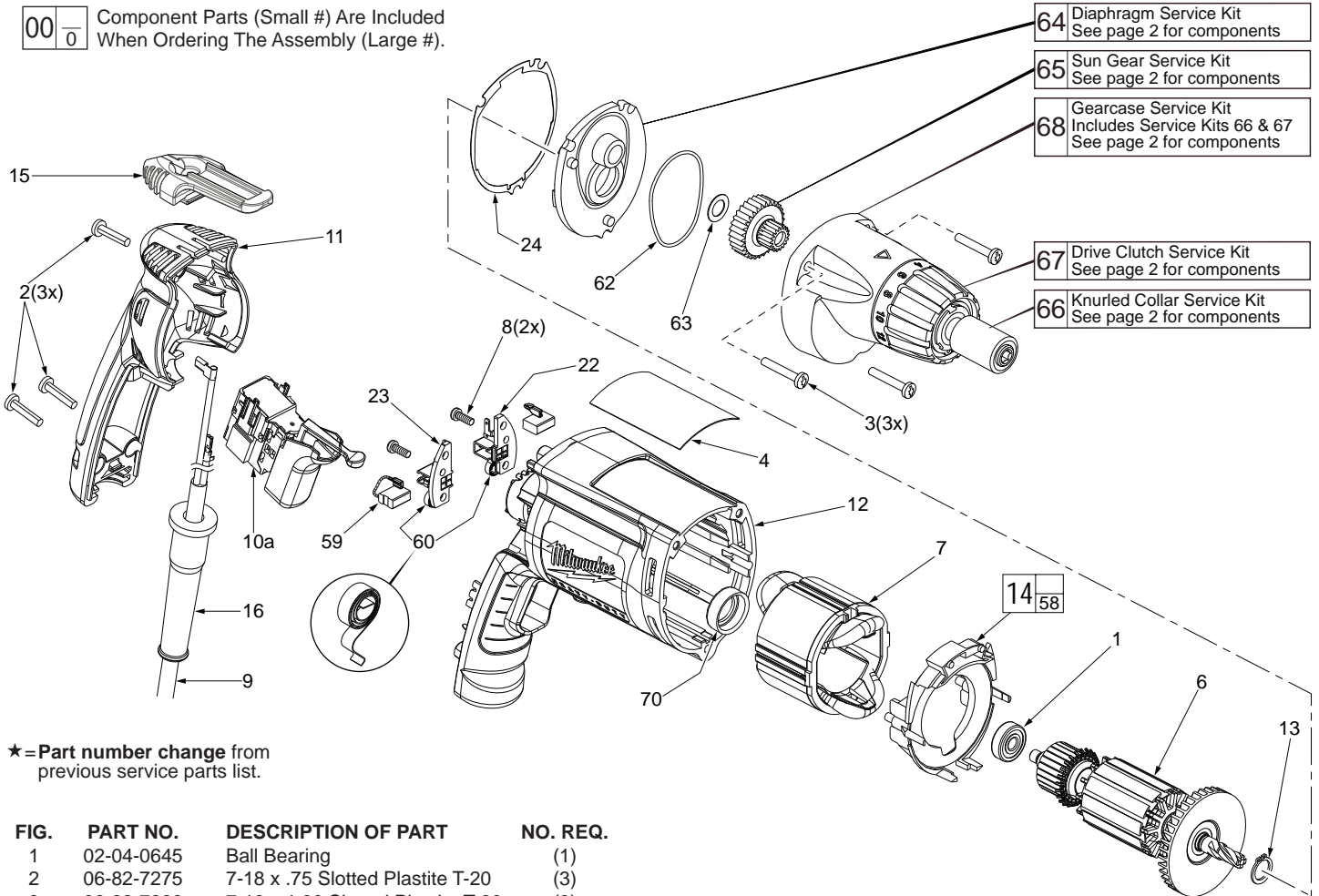
SERVICE PARTS LIST

BULLETIN NO.
54-42-6353

SPECIFY CATALOG NO. AND SERIAL NO. WHEN ORDERING PARTS		REVISED BULLETIN	DATE
ADJUSTABLE TORQUE SCREWDRIVER		54-42-6352	Sept. 2013
CATALOG NO. 6780-20	STARTING SERIAL NO. A54D	WIRING INSTRUCTION See Pages 3 and 4	

EXAMPLE:

00 0 Component Parts (Small #) Are Included
When Ordering The Assembly (Large #).



★=Part number change from previous service parts list.

FIG.	PART NO.	DESCRIPTION OF PART	NO. REQ.
1	02-04-0645	Ball Bearing	(1)
2	06-82-7275	7-18 x .75 Slotted Plastite T-20	(3)
3	06-82-7296	7-18 x 1.00 Slotted Plastite T-20	(3)
4	12-99-2665	Service Nameplate Kit	(1)
6	16-10-2202	Service Armature	(1)
7	18-07-7210	Service Field	(1)
8	05-88-1610	M3.5 x 10 Pan Hd. Plast. T-10 Screw	(2)
9	22-64-6510	Cord Set	(1)
10a	23-66-2605	Switch (Defond) (See page 3 wiring)	(1)
10b	23-66-2585	Switch (Marquardt) (See page 4 wiring)	(1)
11	31-15-2010	Handle Half	(1)
★ 12	31-50-0526	Motor Housing	(1)
13	34-60-0920	External Retaining Ring	(1)
14	42-14-0460	Baffle	(1)
15	42-70-5280	Belt Clip	(1)
16	44-76-0210	Cord Protector	(1)
22	22-20-0090	Left Brush Holder	(1)
23	22-20-0095	Right Brush Holder	(1)
24	43-44-0440	Gasket	(1)
58	45-30-0030	Slug (Not Shown)	(2)
59	22-18-1310	Brush Assembly	(2)
60	23-52-1610	Brush Spring	(2)
62	34-40-4625	O-Ring Seal	(1)
63	45-88-1450	Washer	(1)
64	28-28-0471	Diaphragm Kit (See Page 2)	(1)
65	32-40-1016	Sun Gear Kit (See Page 2)	(1)
66	42-76-0476	Knurled Collar Kit (See Page 2)	(1)
67	42-70-5291	Drive Clutch Kit (See Page 2)	(1)
68	28-14-0251	Gearcase Kit (See Page 2)	(1)
★ 70	43-86-0125	Bearing Cup	(1)
	23-94-0490	White Leadwire Assy. (See pages 3 & 4)	(1)
	23-94-0495	Red Leadwire Assy. (See pages 3 & 4)	(1)
	31-53-0205	Lock Button Plug (Not Shown)	(1)

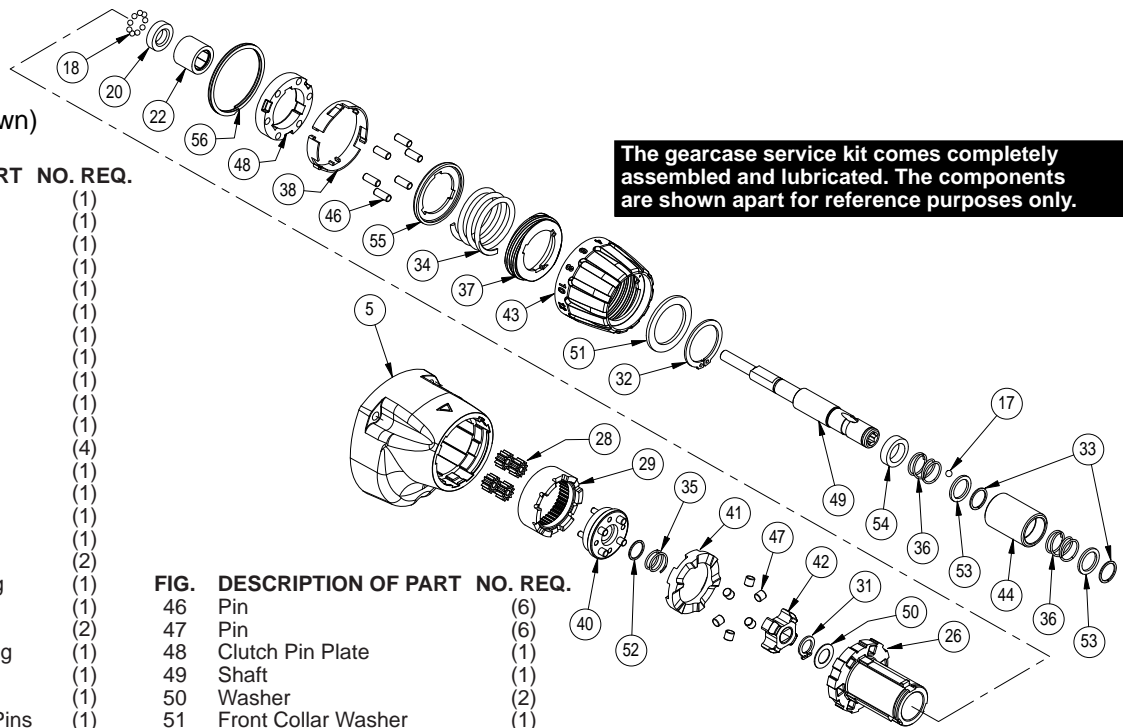
FIG. NOTES:
4 Insert nameplate into slot on motor housing prior to assembling the gearcase to the tool. Position nameplate so it can be read from the rear of the tool.

65,68 Place 4.8 grams (approx. 1.75 oz.) of Type 'Z' Grease, No. 49-08-7655 in the lower gear cavity of the gearcase prior to installing the sun gear kit.

68

**No. 28-14-0251
Gearcase Service Kit
(Includes All Parts Shown)**

FIG.	DESCRIPTION OF PART	NO.	REQ.
5	Gearcase	(1)	
17	Steel Ball	(1)	
18	Thrust Bearing	(1)	
19	Ball Bearing	(1)	
20	Ball Bearing	(1)	
21	Needle Bearing	(1)	
22	Needle bearing	(1)	
23	Caged Rollers	(1)	
25	Diaphragm	(1)	
26	Clutch Housing	(1)	
27	Sun Gear	(1)	
28	Planet Gear	(4)	
29	Ring Gear	(1)	
30	O-Ring Seal	(1)	
31	Retaining Ring	(1)	
32	Retaining Ring	(1)	
33	Retaining Ring	(2)	
34	Torque Adjusting Spring	(1)	
35	Clutch Spring	(1)	
36	Compression Spring	(2)	
37	Threaded Adjusting Ring	(1)	
38	Detent Ring	(1)	
39	Sun Gear Bushing	(1)	
40	Idle Clutch Plate with Pins	(1)	
41	Clutch Ring	(1)	
42	Drive Clutch	(1)	
43	Adjusting Collar	(1)	
44	Knurled Collar	(1)	
45	Wear Plate	(1)	



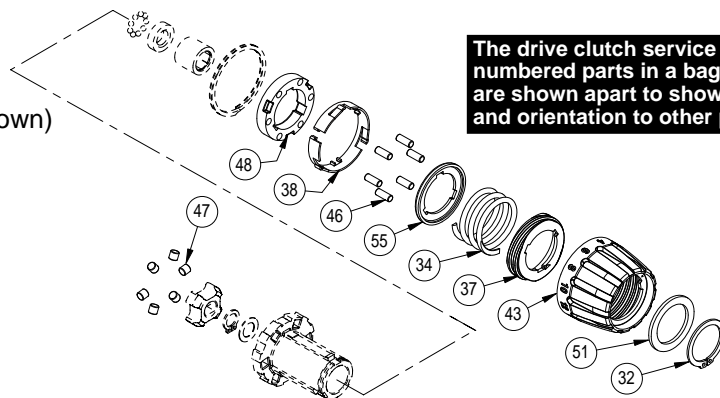
The gearcase service kit comes completely assembled and lubricated. The components are shown apart for reference purposes only.

FIG.	DESCRIPTION OF PART	NO.	REQ.
46	Pin	(6)	
47	Pin	(6)	
48	Clutch Pin Plate	(1)	
49	Shaft	(1)	
50	Washer	(2)	
51	Front Collar Washer	(1)	
52	Clutch Spring Washer	(1)	
53	Quik Disconnect Washer	(2)	
54	Collar Guide Washer	(1)	
55	Notched Washer	(1)	
56	Internal Wave Ring	(1)	

67

**No. 42-70-5291
Drive Clutch Service Kit
(Includes Only Numbered Parts Shown)**

FIG.	DESCRIPTION OF PART	NO.	REQ.
32	Retaining Ring	(1)	
34	Torque Adjusting Spring	(1)	
37	Threaded Adjusting Ring	(1)	
38	Detent Ring	(1)	
43	Adjusting Collar	(1)	
46	Pin	(6)	
47	Pin	(6)	
48	Clutch Pin Plate	(1)	
51	Front Collar Washer	(1)	
55	Notched Washer	(1)	

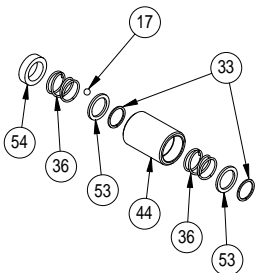


The drive clutch service kit comes with the numbered parts in a bag. The components are shown apart to show the proper order and orientation to other parts not in the kit.

66

**No. 42-76-0476
Knurled Collar Service Kit
(Includes All Parts Shown)**

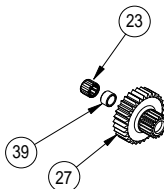
FIG.	DESCRIPTION OF PART	NO.	REQ.
17	Steel Ball	(1)	
33	Retaining Ring	(2)	
36	Compression Spring	(2)	
44	Knurled Collar	(1)	
53	Quik Disconnect Washer	(2)	
54	Collar Guide Washer	(1)	



65

**No. 32-40-1016
Sun Gear Service Kit
(Includes All Parts Shown)**

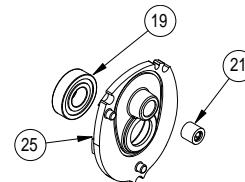
FIG.	DESCRIPTION OF PART	NO.	REQ.
23	Caged Rollers	(1)	
27	Sun Gear	(1)	
39	Sun Gear Bushing	(1)	



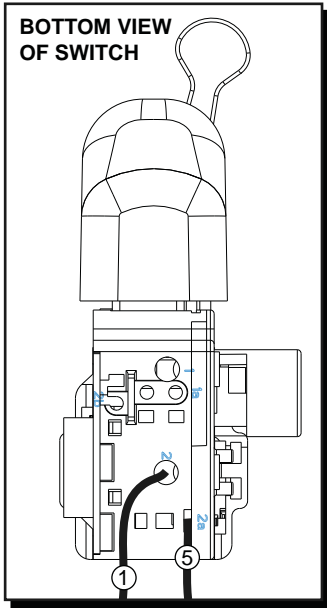
64

**No. 28-28-0471
Diaphragm Service Kit
(Includes All Parts Shown)**

FIG.	DESCRIPTION OF PART	NO.	REQ.
19	Ball Bearing	(1)	
21	Needle Bearing	(1)	
25	Diaphragm	(1)	

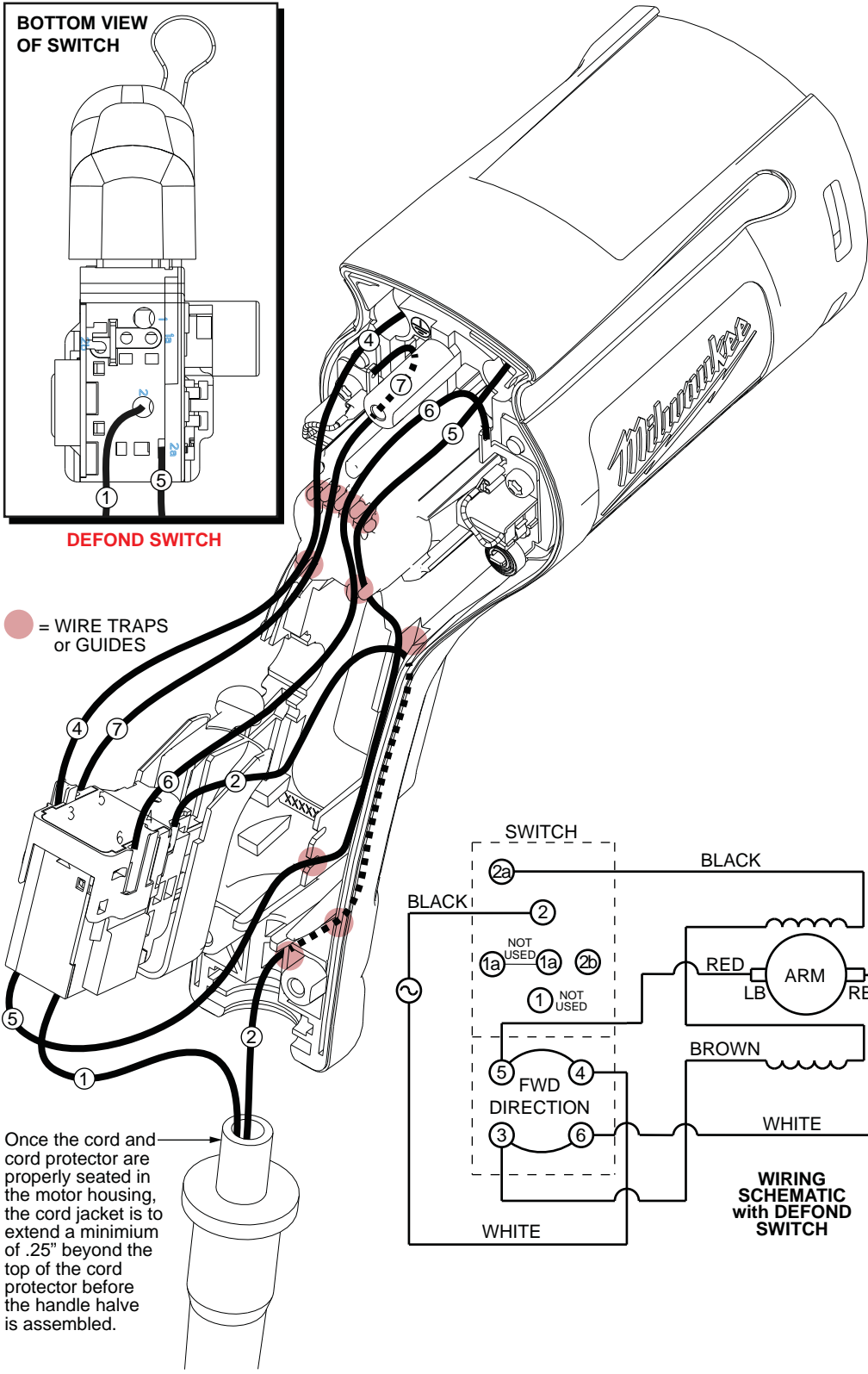


The knurled collar service kit 66 comes unassembled in a bag. The components are shown apart to show the proper order and orientation.
The sun gear service kit 65 and the diaphragm service kit 64 come completely assembled. The components are shown apart for reference purposes only.

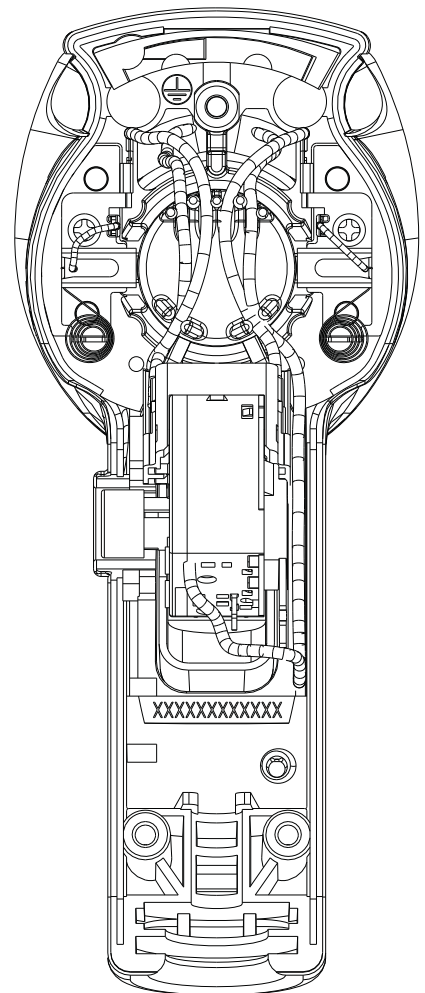
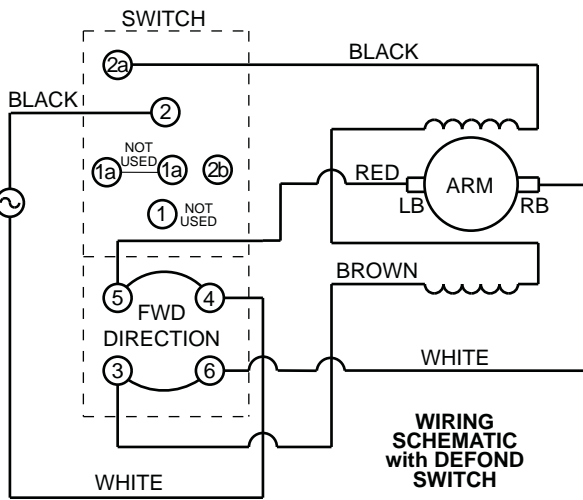


DEFOND SWITCH

● = WIRE TRAPS or GUIDES



Once the cord and cord protector are properly seated in the motor housing, the cord jacket is to extend a minimum of .25" beyond the top of the cord protector before the handle half is assembled.



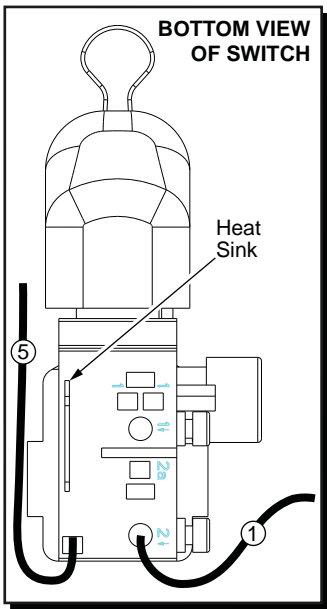
AS AN AID TO REASSEMBLY, TAKE NOTICE OF WIRE ROUTING AND POSITION IN WIRE GUIDES AND TRAPS WHILE DISMANTLING TOOL.

BE CAREFUL AND AVOID PINCHING WIRES BETWEEN HANDLE HALVES WHEN ASSEMBLING.

FOR DOUBLE INSULATED TOOLS DISREGARD GREEN GROUND WIRE #3 AND GROUND PIN.

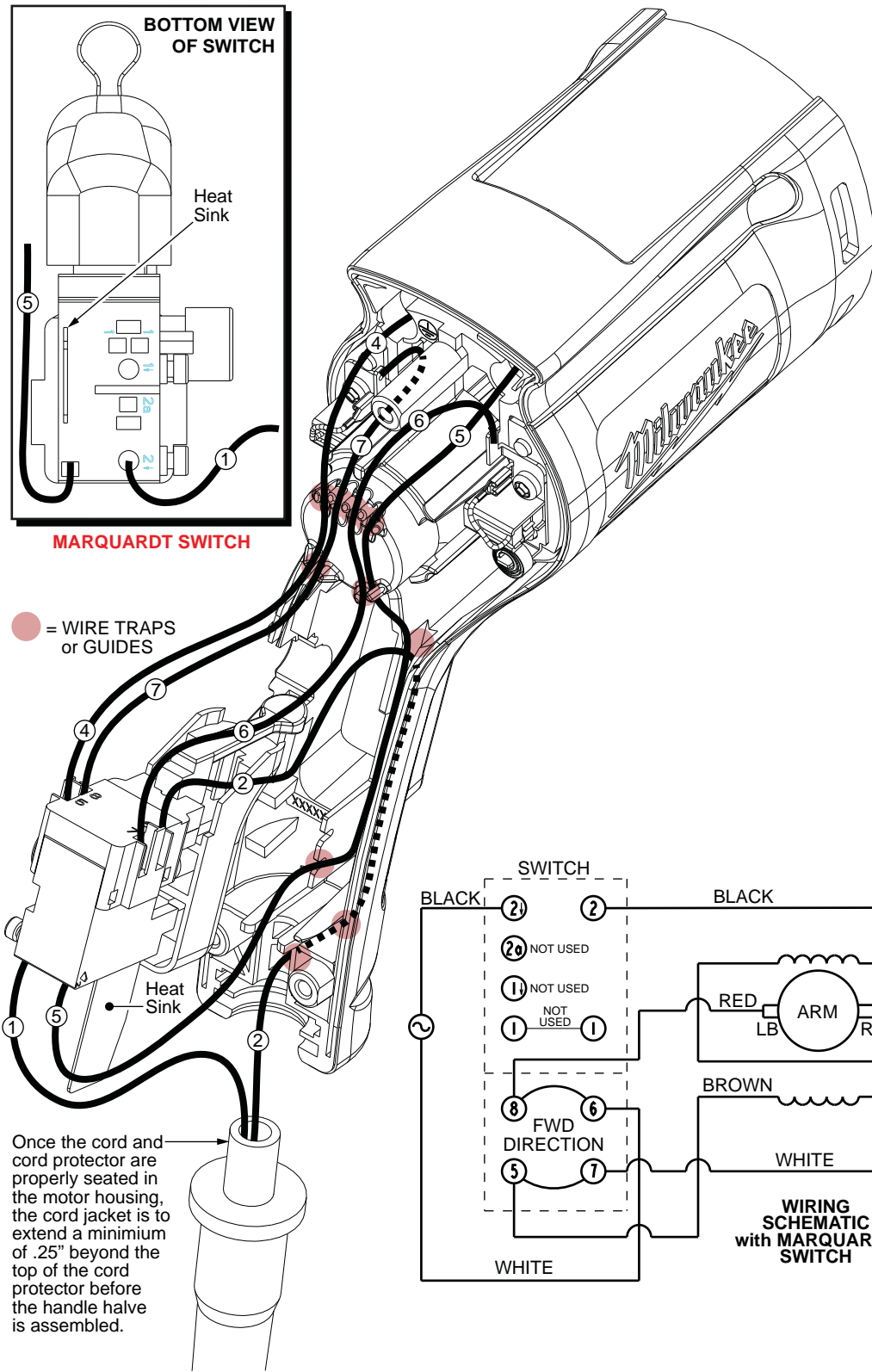
WIRING SPECIFICATIONS

Wire No.	Wire Color	Origin or Gauge	Length	Terminals, Connectors and 1 or 2 End Wire Preparation
1	Black	*	-----	*Component of cord set, pin hsg. assy. or blade hsg. assy. Connect to #2 on switch bottom.
2	White	*	-----	*Component of cord set, pin hsg. assy. or blade hsg. assy. Connect to #4 on switch top.
4	Brown	Field	-----	Component of field. Connect to #3 on switch top.
5	Black	Field	-----	Component of field. Connect to #2a on switch bottom.
6	White	23-94-0490	-----	Leadwire assembly. Connect to right brush holder and #6 on switch top.
7	Red	23-94-0495	-----	Leadwire assembly. Connect to left brush holder and #5 on switch top.

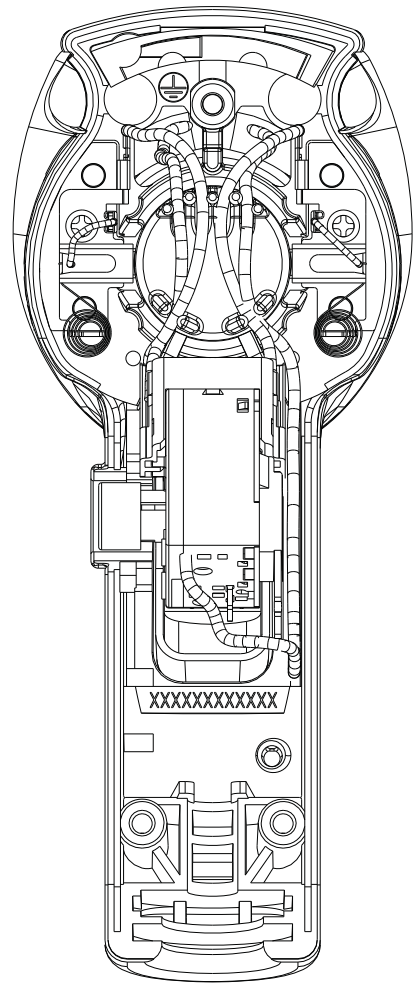


MARQUARDT SWITCH

● = WIRE TRAPS or GUIDES



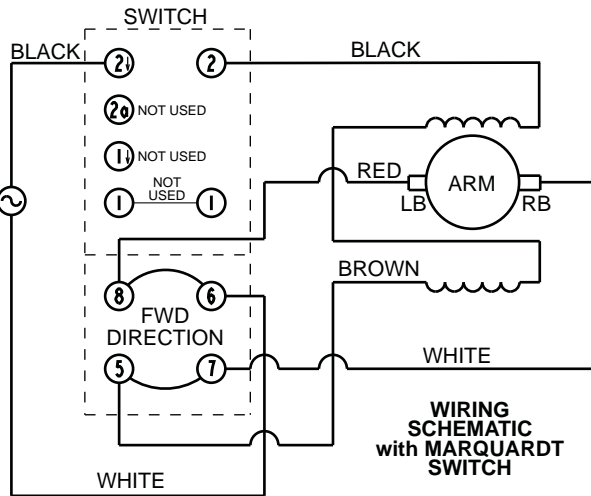
Once the cord and cord protector are properly seated in the motor housing, the cord jacket is to extend a minimum of .25" beyond the top of the cord protector before the handle half is assembled.



AS AN AID TO REASSEMBLY, TAKE NOTICE OF WIRE ROUTING AND POSITION IN WIRE GUIDES AND TRAPS WHILE DISMANTLING TOOL.

BE CAREFUL AND AVOID PINCHING WIRES BETWEEN HANDLE HALVES WHEN ASSEMBLING.

FOR DOUBLE INSULATED TOOLS DISREGARD GREEN GROUND WIRE #3 AND GROUND PIN.



WIRING SPECIFICATIONS

Wire No.	Wire Color	Origin or Gauge	Length	Terminals, Connectors and 1 or 2 End Wire Preparation
1	Black	*	----	*Component of cord set, pin hsg. assy. or blade hsg. assy. Connect to #2↓ on switch bottom.
2	White	*	----	*Component of cord set, pin hsg. assy. or blade hsg. assy. Connect to #6 on switch top.
4	Brown	Field	----	Component of field. Connect to #5 on switch top.
5	Black	Field	----	Component of field. Connect to #2 on switch bottom.
6	White	23-94-0490	----	Leadwire assembly. Connect to right brush holder and #7 on switch top.
7	Red	23-94-0495	----	Leadwire assembly. Connect to left brush holder and #8 on switch top.