



SERVICE PARTS LIST

BULLETIN NO.
54-42-5527

SPECIFY CATALOG NO. AND SERIAL NO. WHEN ORDERING PARTS		REVISED BULLETIN 54-42-5526	DATE May '85
MAGNUM SCREW-SHOOTER			
CATALOG NO. 6754-1	STARTING SERIAL NO. 572-25000	WIRING INSTRUCTION 58-01-0121	
CAT. NO. 6754-6	START SER. NO. 572-25000	BILINGUAL LABEL 10-98-6405	

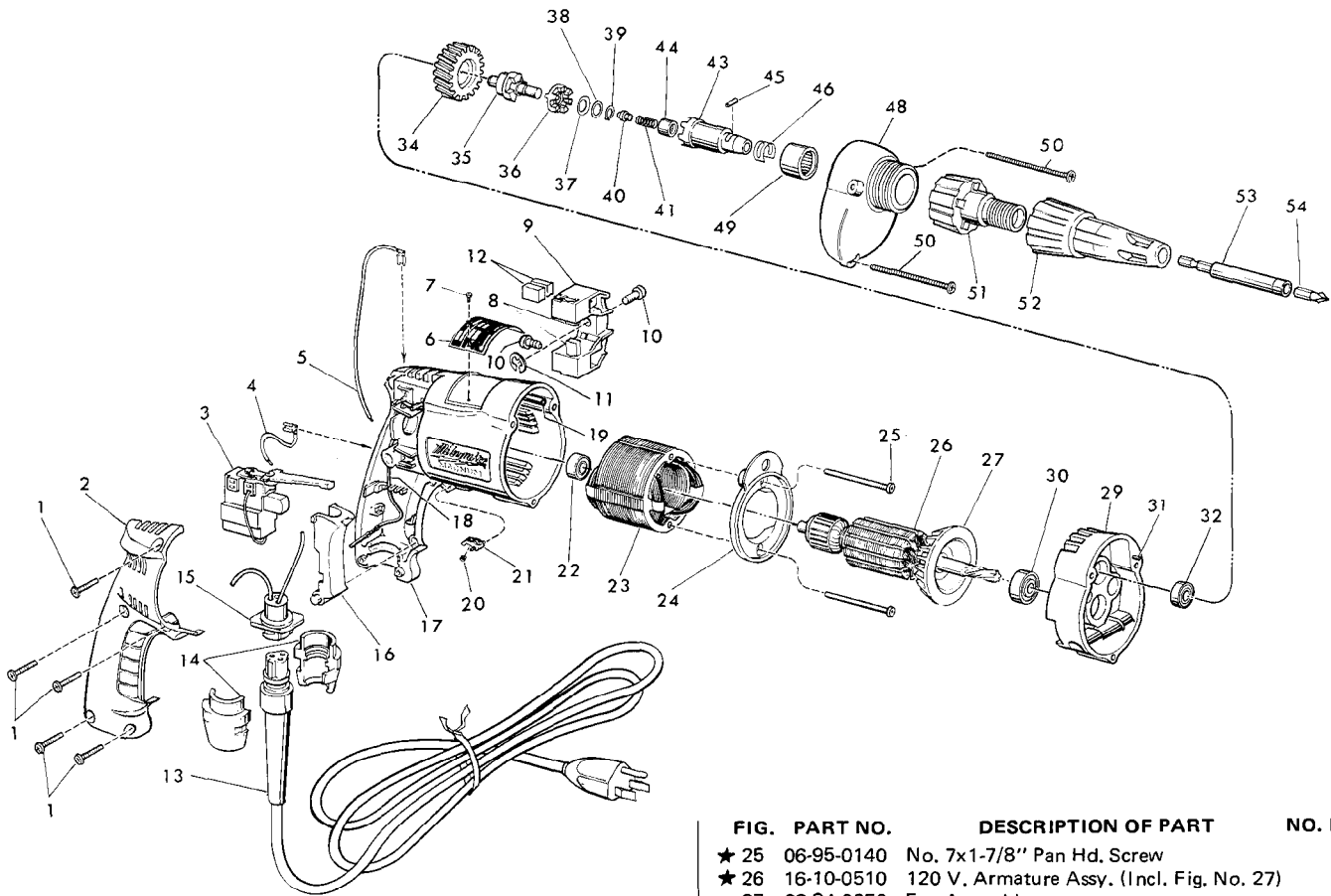


FIG.	PART NO.	DESCRIPTION OF PART	NO. REQ.
	1	06-95-0185 7-18 x 11/16 Plastite Screw	(5)
	2	31-15-0101 Handle Cover	(1)
★	3	23-66-1350 Reversing Switch	(1)
	4	23-94-9635 2-1/4" Lead Assembly	(1)
	5	23-94-9640 7" Lead Assembly	(1)
	6	12-99-0081 Nameplate Blank	(1)
	7	06-85-0200 Nameplate Screw	(2)
	8	22-16-0275 Carbon Brush	(2)
	9	22-22-0350 Brush Holder Assy. (Incl. Fig. Nos. 10 thru 12)	(1)
	10	31-75-0011 Brush Holder Screw	(2)
	11	34-60-0500 1/4" Ext. Retaining Ring	(1)
	12	22-16-0275 Carbon Brush (Spares)	(2)
	13	48-76-3008 Cord Set (Includes Fig. No. 14)	(1)
	14	44-40-0440 Cord Nut	(2)
★	15	22-56-0302 Pin Housing Assembly	(1)
	16	45-72-0080 Trigger	(1)
★	17	14-38-0355 Motor Housing Assy. (Incl. Fig. No. 18 & 19)	(1)
★	18	23-94-9686 Ground Wire Assembly	(1)
★	19	44-60-0570 Grounding Pin	(1)
	20	40-50-0085 Lock Button Spring	(1)
	21	42-42-0150 Lock Button	(1)
★	22	02-04-0645 Ball Bearing	(1)
★	23	18-10-0045 120 Volt Field	(1)
★	24	31-05-0065 Baffle	(1)

FIG.	PART NO.	DESCRIPTION OF PART	NO. REQ.
★	25	06-95-0140 No. 7x1-7/8" Pan Hd. Screw	(2)
★	26	16-10-0510 120 V. Armature Assy. (Incl. Fig. No. 27)	(1)
	27	22-84-0650 Fan Assembly	(1)
★	28	14-13-0370 Diaphragm Assy. (Fig. Nos. 29 thru 32)	(1)
★	29	28-28-1590 Diaphragm	(1)
★	30	02-04-0847 Ball Bearing	(1)
★	31	06-65-0825 1/8 x 1/2 Groove Pin No. 5	(1)
★	32	02-04-0645 Ball Bearing	(1)
★	33	32-10-4040 Clutch Gear Assy. (Fig. Nos. 34 thru 39)	(1)
★	34	32-75-2930 Spindle Gear	(1)
★	35	36-14-0685 Gear Shaft	(1)
	36	42-70-5030 Drive Clutch	(1)
★	37	45-88-0705 Spring Washer	(1)
★	38	45-88-0550 Flat Washer	(1)
	39	34-60-0510 External Retaining Ring	(1)
	40	44-60-0500 Thrust Pin	(1)
	41	40-50-0080 Separator Spring	(1)
★	42	14-73-0120 Chuck Shaft Assy. (Incl. Fig. Nos. 43 thru 46)	(1)
★	43	42-66-6770 Chuck Shaft	(1)
★	44	02-50-1610 Needle Bearing	(1)
	45	02-55-0150 Loose Roller Bearing	(1)
	46	40-50-1450 Bit Retaining Spring	(1)
★	47	14-30-0350 Gear Case Assy. (Incl. Fig. Nos. 48 & 49)	(1)
★	48	28-14-1460 Gear Case	(1)
	49	02-50-4050 Needle Bearing	(1)
★	50	06-95-0140 No. 7x1-7/8" Pan Hd. Screw	(3)
★	51	48-32-2500 Bit Housing	(1)
	52	49-26-1026 Locator Assembly	(1)
	53	48-32-3025 Magnet Bit Holder 1/4 Hex	(1)
	54	48-32-1050 Insert Bit No. 2 Phil. 1/4 H	(1)
★	55	10-98-5986 Warning Label (Not Shown) Omit For Canadian Tools	(1)