



# SERVICE PARTS LIST

**BULLETIN NO.**  
54-42-0204

SPECIFY CATALOG NO. AND SERIAL NO. WHEN ORDERING PARTS		REVISED BULLETIN 54-42-0203	DATE April '85
<b>SINGLE SPEED REV. DRYWALL SCREW DRIVER</b>		WIRING INSTRUCTION <b>58-01-0653</b>	
<b>CATALOG NO. 6751-1</b>	STARTING SERIAL NO. <b>468-50300</b>		
<b>CAT. NO. 6751-6</b>	<b>START SER. NO. 468-50300</b>	<b>BILINGUAL LABEL 10-98-6405</b>	

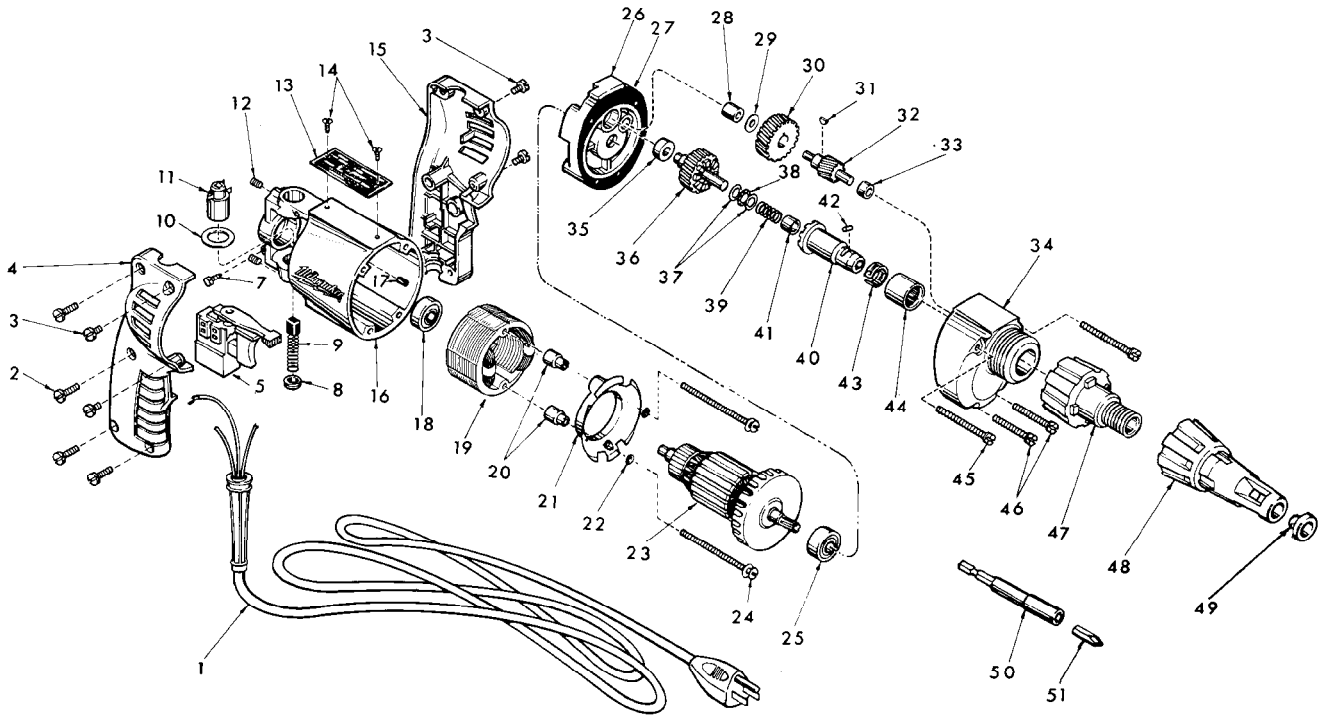


FIG.	PART NO.	DESCRIPTION OF PART	NO. REQ.	FIG.	PART NO.	DESCRIPTION OF PART	NO. REQ.
	1	22-64-0665 Cord Set	(1)	★27	43-44-0280	Gasket	(1)
★	2	06-95-0220 8-18x3/4 Thread Form Screw	(4)	28	02-50-1210	Needle Bearing	(1)
★	3	06-95-0209 8-32 x 3/8 Taptite Screw	(4)	29	45-88-7280	Nylon Thrust Washer	(1)
★	4	31-44-1360 R.H. Handle Half	(1)	30	32-40-1041	Intermediate Gear	(1)
	5	23-66-0816 Reversing Switch	(1)	31	06-42-0400	Woodruff Key	(1)
★	6	10-98-5986 Warning Label (Not Shown) Omit For Canadian Tools	(1)	32	36-66-4105	Intermediate Pinion Shaft	(1)
	7	06-81-8625 6-32x1/4 Ground Screw	(1)	33	02-50-1635	Needle Bearing	(1)
	8	23-44-0020 Brush Retaining Screw	(2)	34	28-14-1210	Gear Case (Includes 06-65-0825 Groove Pin)	(1)
	9	22-18-0362 Carbon Brush	(2)	35	02-08-0210	Ball Bearing	(1)
	10	23-86-0105 Fiber Washer	(2)	36	32-10-4000	Clutch Gear	(1)
	11	22-22-1251 Brush Holder Assy.	(2)	37	45-88-0550	Thrust Washer	(2)
	12	06-83-2430 10-32x1/4 Hds. Skt. Screw	(2)	38	02-80-0100	Thrust Bearing	(1)
★	13	12-99-0019 Nameplate	(1)	39	40-50-6600	Separator Spring	(1)
	14	06-85-0200 6x1/4 Round Hd. Type Z Screw	(2)	40	42-66-4000	Drive Chuck (Incl. Figs. 41 thru 43)	(1)
★	15	31-44-1355 L.H. Handle Half	(1)	41	02-50-1610	Needle Bearing	(1)
★	16	28-50-6096 Motor Housing (Incl. Fig. 17)	(1)	42	02-55-0150	Loose Roller Bearing	(1)
	17	45-30-0120 Ball Brg. Retaining Slug	(1)	43	40-50-1450	Bit Retaining Spring	(1)
	18	02-04-0740 Ball Bearing	(1)	44	02-50-4050	Needle Bearing	(1)
	19	18-10-0025 120 V. Field	(1)	45	06-81-6740	8-32x2 Fil. Hd. Sem	(2)
	20	45-36-0601 Baffle Spacer	(2)	46	06-81-6550	8-32x1-1/2 Fil. Hd. Sem	(2)
	21	31-05-0010 Baffle	(1)	47	48-32-2500	Bit Housing	(1)
	22	45-88-7170 Washer	(2)	48	48-26-1000	Drywall Locator (Incl. Fig. 49)	(1)
★	23	16-10-0575 120 V. Armature	(1)	49	49-78-0100	Locator Tip	(1)
	24	06-81-8695 6-32x2-7/16 Round Hd. Sems	(2)	50	48-32-3025	1/4 Hex Magnetic Bit Holder	(1)
	25	02-04-0880 Ball Bearing	(1)	51	48-32-1050	1/4 Hex No. 2 Phil. Insert Bit	(1)
	26	28-28-1451 Diaphragm	(1)				