



SERVICE PARTS LIST

BULLETIN NO.
54-42-5156

SPECIFY CATALOG NO. AND SERIAL NO. WHEN ORDERING PARTS		REVISED BULLETIN 54-42-5155	DATE April '88
0-2500 R.P.M. REV. DRYWALL SCREWDRIVER		WIRING INSTRUCTION 58-01-0018	
CATALOG NO. 6747-1	STARTING SERIAL NO. 453-111000		

EXAMPLE:
00 0

Component Parts (Small #)
Are Included When Ordering
The Assembly (Large #).

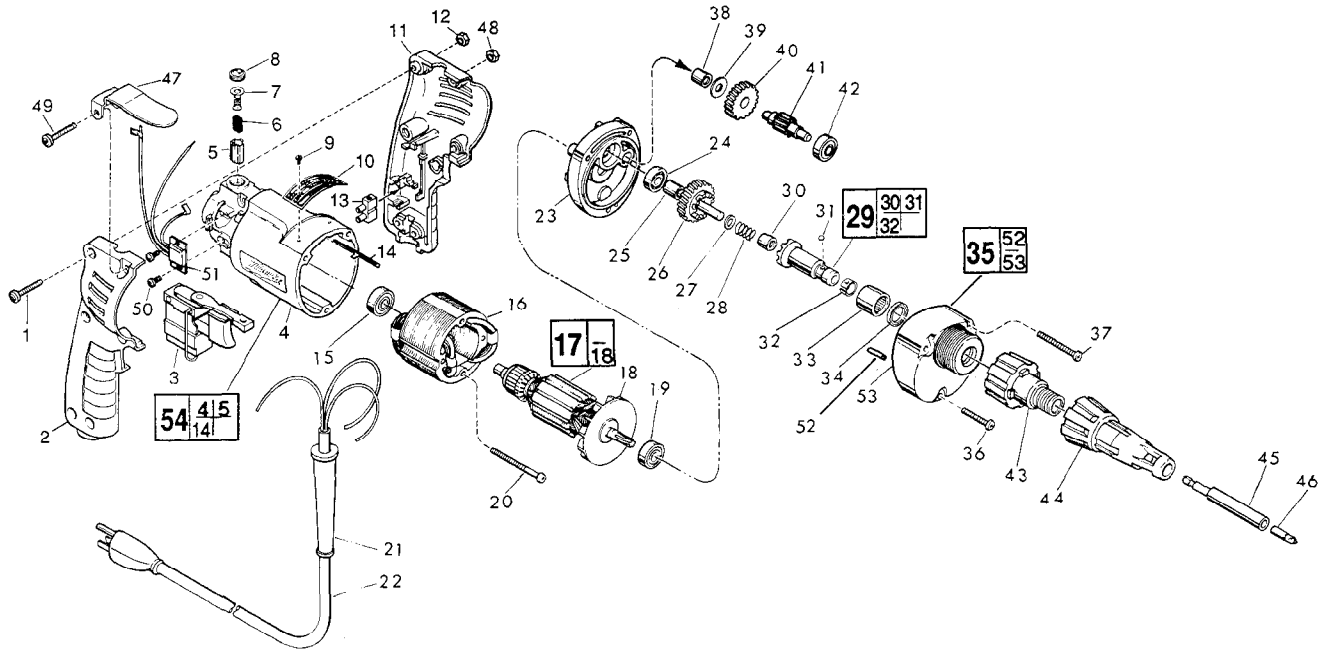


FIG.	PART NO.	DESCRIPTION	NO. REQ.	FIG.	PART NO.	DESCRIPTION	NO. REQ.
★	1	06-82-2361 8-32 x 15/16" Pan Hd. Slit. Torx Screw	(5)	31	02-02-0130	Steel Ball	(1)
	2	31-44-1130 Right Handle Half	(1)	32	40-50-0510	Bit Retaining Spring	(1)
★	3	23-66-1655 Speed Control Switch	(1)	33	02-50-4220	Needle Roller Bearing	(1)
★	4	31-50-0346 Motor Housing	(1)	34	45-06-0106	Oil Seal	(1)
	5	22-20-0530 Brush Tube	(2)	35	14-30-0600	Gear Case Assembly	(1)
	6	22-16-0275 Carbon Brush	(2)	★	36	06-82-7344 7-18 x 1-1/2" Pan Hd. Slit. Plast. Torx Screw	(1)
	7	23-52-0210 Brush Spring Assembly	(2)	★	37	06-82-7440 7-18 x 2-1/2" Pan Hd. Slit. Plast. Torx Screw	(2)
	8	23-44-0120 Brush Retaining Screw	(2)		38	02-50-2410 Needle Bearing	(1)
	9	06-85-0200 Nameplate Screw	(2)		39	45-88-7990 Thrust Washer	(1)
	10	12-99-0445 Nameplate Blank	(1)		40	32-40-1612 Intermediate Gear	(1)
	11	31-44-1140 Left Handle Half	(1)		41	36-66-4101 Intermediate Pinion Shaft	(1)
	12	06-55-0835 8-32 Hex Nut	(5)		42	02-04-0640 Ball Bearing	(1)
★	13	22-56-0456 Terminal Block	(1)		43	48-32-2500 Bit Housing	(1)
	14	44-60-0530 Ground Pin	(1)		44	49-26-1040 Locator Assembly	(1)
	15	02-04-0645 Ball Bearing	(1)		45	48-32-3065 Magnetic Bit Holder	(1)
	16	18-10-0130 120 Volt Field	(1)		46	48-32-1050 #2 Insert Bit	(1)
	17	16-10-0591 120 Volt Armature	(1)	★	47	42-70-0280 Belt Clip	(1)
	18	22-84-0440 Fan Assembly	(1)	★	48	06-55-0825 8-32 Hex Nut	(1)
	19	02-04-0848 Ball Bearing	(1)	★	49	06-82-2363 8-32 x 1" Pan Hd. Torx Screw	(1)
★	20	06-82-7393 7-18x2" Pan Hd. Slit. Plast. Torx Screw	(2)	★	50	06-82-7212 4-20-x1/4" Pan Hd. Slit. Plast. Torx Screw	(2)
	21	44-76-0130 Cord Protector	(1)	★	51	14-20-0240 Remote Electronic Assembly	(1)
	22	22-64-1120 Cord Set	(1)	★	52	06-65-0825 1/8 x 1/2 Groove Pin 5	(1)
	23	28-28-1800 Diaphragm	(1)		53	28-14-1960 Gear Case	(1)
	24	02-04-0645 Ball Bearing	(1)	★	54	14-38-0375 Motor Housing Assembly	(1)
	25	45-36-1280 Spacer	(1)				
	26	32-10-4045 Clutch Gear Assembly	(1)				
	27	45-88-0712 Thrust Washer	(1)				
	28	40-50-6600 Separator Spring	(1)				
	29	42-66-0766 Clutch Chuck Assembly	(1)				
	30	02-50-2400 Needle Bearing	(1)				

FIG. LUBRICATION

53 1-1/2 Oz. Type "E" Grease, No. 49-08-4121.
Place Near Intermediate Shaft Ball Bearing
In Gear Case.

FIG. NOTES

1,49 Torque to 14-18 In./Lbs.
20,36 Torque to 15-20 In./Lbs.