



SERVICE PARTS LIST

BUL.54-42-5102

SCREWDRIVER

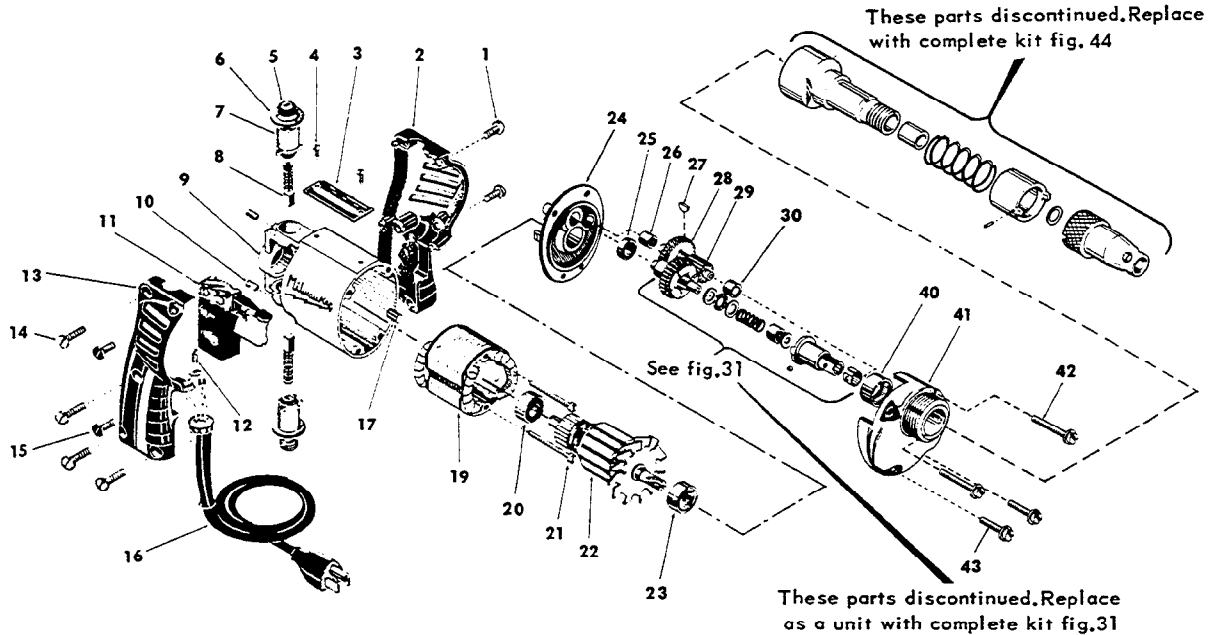
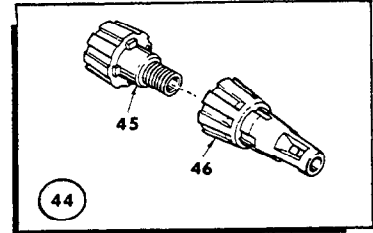
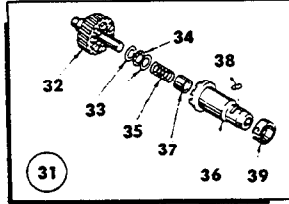
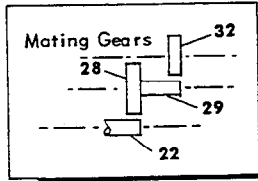
REVISED BUL 54-42-5102 DATE Jan.'72

Catalog No. 6746-1

Starting Serial No. **381-8013**

WIRING INSTR. **58-01-0640**

Both Model and Serial No. must be furnished to obtain correct parts.



These parts discontinued. Replace with complete kit fig. 44

These parts discontinued. Replace as a unit with complete kit fig. 31

FIG.	PART NO.	DESCRIPTION OF PART	NO.REQ.	FIG.	PART NO.	DESCRIPTION OF PART	NO.REQ.
1	06-81-0450	8-32x3/8 Pan Hd. Handle Mtg. Scr.	(2)	24	28-28-1381	Diaphragm	
2	31-44-0260	L. H. Handle Half		25	02-08-0210	Ball Bearing	
3	12-98-0600	Name Plate		26	02-50-1210	Needle Bearing	
★ 4	06-85-0200	6x1/4 Rd.Hd.Type Z Screw	(2)	27	06-42-0400	Woodruff Key	
5	23-44-0020	Brush Retaining Cap	(2)	28	32-40-1041	Intermediate Gear	
★ 6	23-86-0105	Insulating Washer	(2)	29	36-66-3901	Intermediate Pinion Shaft	
7	22-22-0251	Brush Holder Assy.	(2)	30	02-50-1620	Needle Bearing	
8	22-18-0360	Carbon Brush Assy.	(2)	★ 31	14-46-0130	Clutch Service Kit (fig.nos.32 thru 39)	
9	28-50-6091	Motor Housing (incl. fig. 17)		★ 32	32-10-0082	Clutch Gear	
10	06-83-2430	10-32x1/4 Brush Hldr.Soc.Hd. Set Scr.	(2)	33	45-88-0550	Thrust Washer	(2)
11	23-66-0810	Reversing Switch (see fig. 18)		34	02-80-0100	Thrust Bearing	
12	06-81-8625	6-32 x 1/4 Ground Screw		35	40-50-6600	Separator Spring	
13	31-44-0250	R. H. Handle Half		★ 36	42-66-0751	Clutch Chuck Assy.(incl. figs. 37 thru 39)	
14	06-81-0400	8-32x3/4 Pan Hd. Handle Mtg. Scr.	(4)	★ 37	02-50-1610	Needle Bearing	
15	06-81-0450	8-32x3/8 Pan Hd, Handle Mtg. Scr.	(2)	★ 38	02-55-0150	Needle Roller	
16	22-64-0660	Cord Set		39	40-50-1400	Bit Retaining Spring	
17	45-30-0120	Ball Bearing Ret. Slug		★ 40	02-50-4035	Needle Bearing	
18	06-97-1700	Lock Washer For Switch (not shown)(8)		41	28-14-1202	Gear Case	
19	18-22-1121	Field Assy.		42	06-81-6550	8-32 x 1 1/2 Fil.Hd. Sems Gear Case Screws	(2)
20	02-04-0740	Ball Bearing		43	06-81-6350	8-32 x 1 Fil.Hd. Sems Gear Case Screws	(2)
21	06-81-5950	6-32x 1-7/8 Fil. Hd. Field Screws	(2)	★ 44	49-22-1520	Conversion Kit (incl. fig. nos. 45 & 46)	
★ 22	16-22-1251	Armature Assy.		★ 45	48-32-2500	Bit Housing	
23	02-04-0880	Ball Bearing		★ 46	49-26-1000	Locating Sleeve	