



# SERVICE PARTS LIST

BUL. 54-42-5101

## SCREWDRIVER

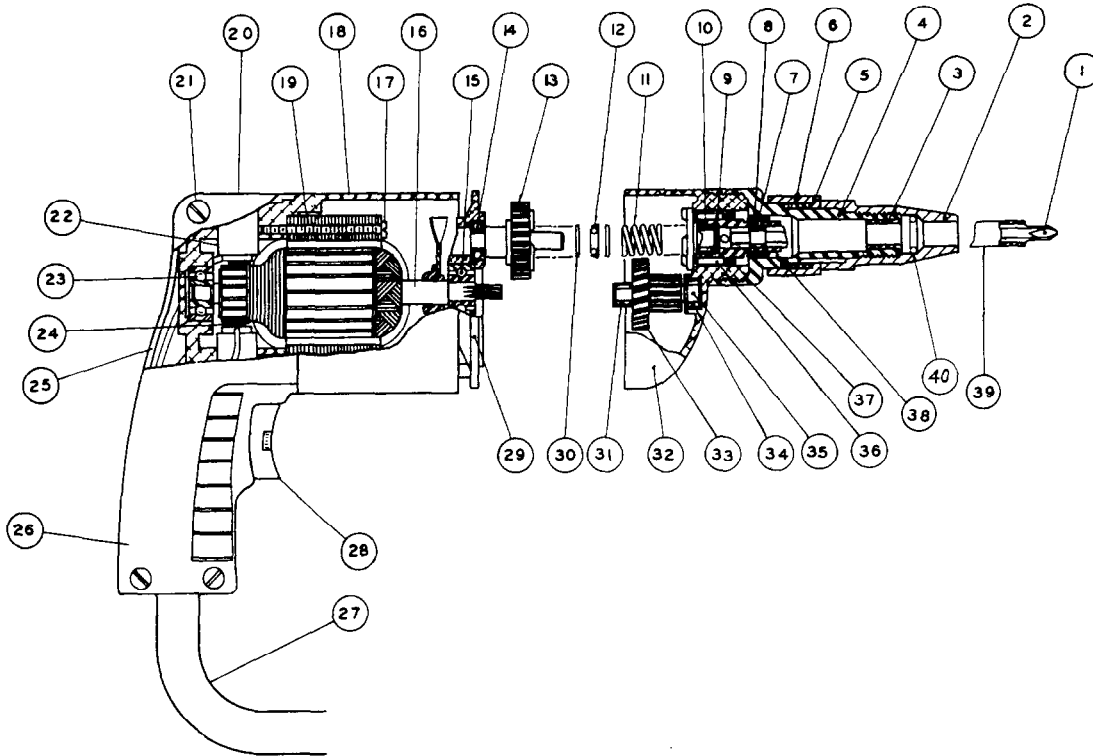
REVISED BUL. 54-42-5100 DATE Aug. '68

Catalog No. 6746-1

Starting Serial No. 381-5401

WIRING INSTR. 58-01-0060

Both Model and Serial No. must be furnished to obtain correct parts.



### ILLUSTRATED PARTS

FIG.	PART NO.	DESCRIPTION OF PART	NO.REQ.	FIG.	PART NO.	DESCRIPTION OF PART	NO.REQ.
1	48-32-1050	No. 2 Phillips Insert		★ 21	06-81-0400	8-32x3/4 Pan Hd. Handle Mtg. Scr.	(4)
2	44-18-0051	Locator		22	22-22-0251	Brush Holder Assy.	(2)
3	42-40-0320	Bushing		23	02-04-0740	Ball Bearing	
4	43-76-0151	Bit Housing		24	22-18-0360	Carbon Brush Assy.	(2)
5	42-76-0151	Locating Collar		★ 25	31-44-0211	Left Hand Handle Half	
6	40-50-6700	Locating Collar Spring		★ 26	31-44-0200	Right Hand Handle Half	
7	02-02-0150	5/32 Dia. Ball		27	22-64-0450	Cord Set	
8	40-50-1400	Bit Retaining Spring		28	23-66-0520	Switch	
9	45-88-0540	Back-Up Washer		29	28-28-1381	Diaphragm	
10	02-50-1610	Needle Bearing		30	45-88-0550	Thrust Washer	(2)
11	40-50-6600	Separator Spring		31	02-50-1210	Needle Bearing	
12	02-80-0100	Thrust Bearing		32	28-14-1202	Gear Case	
13	32-10-0081	Clutch Gear		33	32-40-1041	Intermediate Gear	
14	02-08-0210	Ball Bearing		34	02-50-1620	Needle Bearing	
15	02-04-0880	Ball Bearing		35	36-66-3901	Intermediate Pinion Shaft	
16	16-22-1231	Armature		36	02-50-4030	Needle Bearing	
17	06-81-5950	6-32 x 1-7/8" Fil. Hd. Field Screw	(2)	37	45-06-0065	Spindle Oil Seal	
18	28-50-6091	Motor Housing		38	42-66-0321	Chuck	
19	18-22-1121	Field		39	48-32-3025	Magnetic Bit Holder	
20	23-44-0020	Brush Retaining Cap	(2)	40	34-40-0950	'O' Ring	

### MISCELLANEOUS PARTS NOT SHOWN

PART NO.	DESCRIPTION OF PART	NO.REQ.	PART NO.	DESCRIPTION OF PART	NO.REQ.
06-42-0400	Woodruff Key		06-81-6550	8-32 x 1 1/2" Fil. Hd. Sem Gear Case Screw	(2)
06-81-6350	8-32 x 1" Fil. Hd. Gear Case Sems	(2)	45-30-0120	Ball Bearing Retaining Slug	
06-65-0825	Type 5-1/8 x 1/2 Groove Pin		06-81-4300	3-48 x 3/16 Rd. Hd. Name Plate Screw	(2)
06-81-8625	6-32 x 1/4" Rd. Hd. Ground Screw Brass		06-83-0100	10-32 x 1/4" Brush Holder Set Screw	(2)
48-03-0010	Attachment Plug Adaptor		★ 06-81-0450	8-32x3/8 Pan Hd. Handle Mtg. Scr.	(4)
12-98-0600	Name Plate		23-86-0070	Washer	(2)
06-65-1524	5/64 x 3/16 Roll Pin				