



# SERVICE PARTS LIST

**BUL.54-42-5100**

## SCREWDRIVER

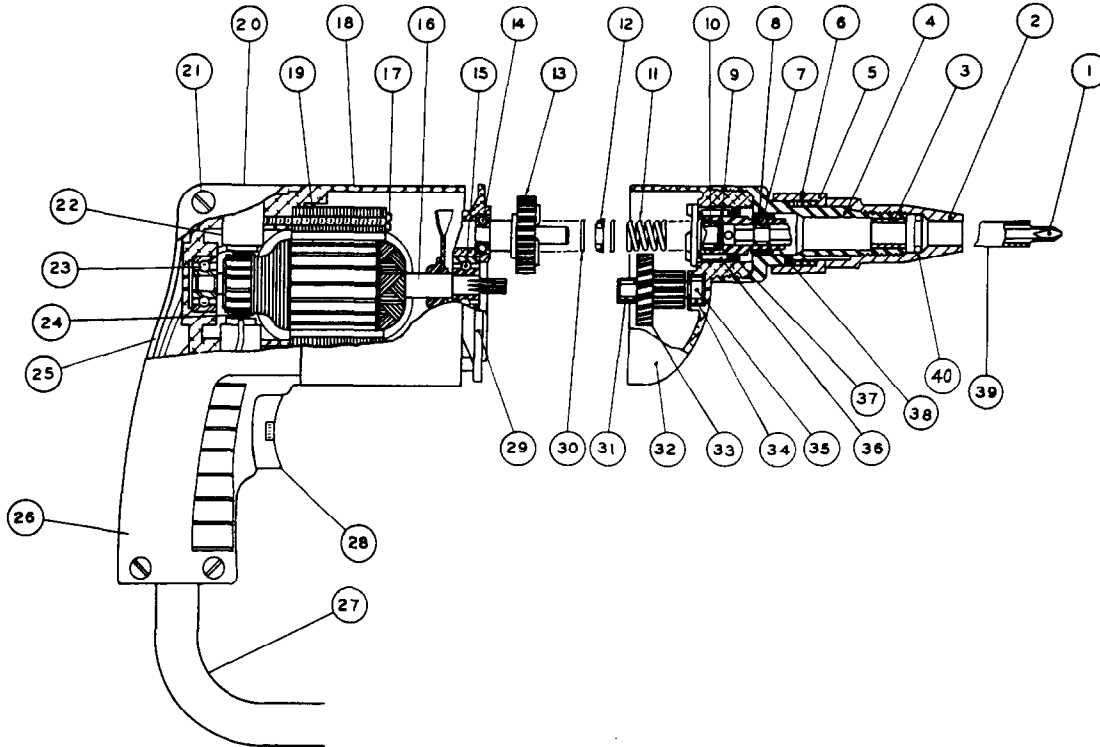
REVISED BUL 6381-1 DATE April '68

**Catalog No. 6746-1**

Starting Serial No. **381-1001**

WIRING INSTR. **58-01-0060**

Both Model and Serial No. must be furnished to obtain correct parts.



### ILLUSTRATED PARTS

| FIG. | PART NO.   | DESCRIPTION OF PART                | NO.REQ. | FIG. | PART NO.   | DESCRIPTION OF PART               | NO.REQ. |
|------|------------|------------------------------------|---------|------|------------|-----------------------------------|---------|
| 1    | 48-32-1050 | No. 2 Phillips Insert              |         | 21   | 06-81-3650 | 8-32 x 3/4" Oval Hd. Handle Screw | (4)     |
| 2    | 44-18-0051 | Locator                            |         | 22   | 22-22-0251 | Brush Holder Assy.                | (2)     |
| 3    | 42-40-0320 | Bushing                            |         | 23   | 02-04-0740 | Ball Bearing                      |         |
| 4    | 43-76-0151 | Bit Housing                        |         | 24   | 22-18-0360 | Carbon Brush Assy.                | (2)     |
| 5    | 42-76-0151 | Locating Collar                    |         | 25   | 31-44-0111 | Left Hand Handle Half             |         |
| 6    | 40-50-6700 | Locating Collar Spring             |         | 26   | 31-44-0100 | Right Hand Handle Half            |         |
| 7    | 02-02-0150 | 5/32 Dia. Ball                     |         | 27   | 22-64-0450 | Cord Set                          |         |
| 8    | 40-50-1400 | Bit Retaining Spring               |         | 28   | 23-66-0520 | Switch                            |         |
| 9    | 45-88-0540 | Back-Up Washer                     |         | 29   | 28-28-1381 | Diaphragm                         |         |
| 10   | 02-50-1610 | Needle Bearing                     |         | 30   | 45-88-0550 | Thrust Washer                     | (2)     |
| 11   | 40-50-6600 | Separator Spring                   |         | 31   | 02-50-1210 | Needle Bearing                    |         |
| 12   | 02-80-0100 | Thrust Bearing                     |         | ★ 32 | 28-14-1202 | Gear Case                         |         |
| 13   | 32-10-0081 | Clutch Gear                        |         | 33   | 32-40-1041 | Intermediate Gear                 |         |
| 14   | 02-08-0210 | Ball Bearing                       |         | 34   | 02-50-1620 | Needle Bearing                    |         |
| 15   | 02-04-0880 | Ball Bearing                       |         | 35   | 36-66-3901 | Intermediate Pinion Shaft         |         |
| 16   | 16-22-1231 | Armature                           |         | 36   | 02-50-4030 | Needle Bearing                    |         |
| 17   | 06-81-5950 | 6-32 x 1-7/8" Fil. Hd. Field Screw | (2)     | 37   | 45-06-0065 | Spindle Oil Seal                  |         |
| 18   | 28-50-6091 | Motor Housing                      |         | 38   | 42-66-0321 | Chuck                             |         |
| 19   | 18-22-1121 | Field                              |         | 39   | 48-32-3025 | Magnetic Bit Holder               |         |
| 20   | 23-44-0020 | Brush Retaining Cap                | (2)     | 40   | 34-40-0950 | 'O' Ring                          |         |

### MISCELLANEOUS PARTS NOT SHOWN

| PART NO.   | DESCRIPTION OF PART                    | NO.REQ. | PART NO.   | DESCRIPTION OF PART                        | NO.REQ. |
|------------|--|---------|------------|--|---------|
| 06-42-0400 | Woodruff Key                           |         | 06-81-6550 | 8-32 x 1 1/2" Fil. Hd. Sem Gear Case Screw | (2)     |
| 06-81-6350 | 8-32 x 1" Fil. Hd. Gear Case Sems      | (2)     | 45-30-0120 | Ball Bearing Retaining Slug                |         |
| 06-65-0825 | Type 5-1/8 x 1/2 Groove Pin            |         | 06-81-3600 | 8-32 x 3/8 Oval Hd. Handle Mtg. Screw      | (4)     |
| 06-81-8625 | 6-32 x 1/4" Rd. Hd. Ground Screw Brass |         | 06-81-4300 | 3-48 x 3/16 Rd. Hd. Name Plate Screw       | (2)     |
| 48-03-0010 | Attachment Plug Adaptor                |         | 06-83-0100 | 10-32 x 1/4" Brush Holder Set Screw        | (2)     |
| 12-98-0600 | Name Plate                             |         |            |  |         |
| 06-65-1524 | 5/64 x 3/16 Roll Pin                   |         | 23-86-0070 | Washer                                     | (2)     |