



ROLAIR

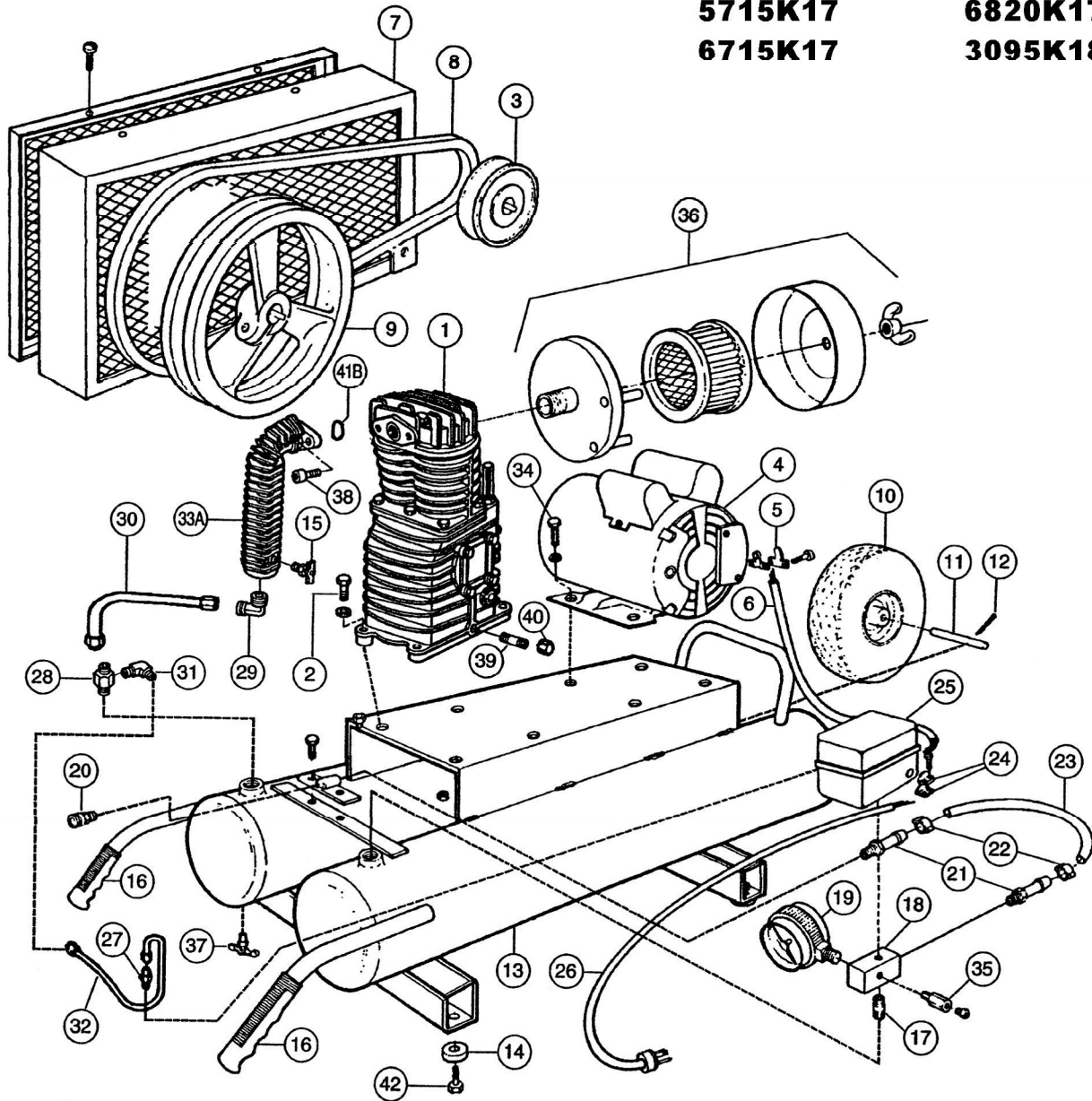
SCHEMATIC FOR MODELS

5715K17

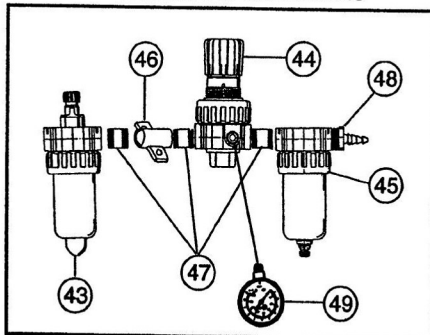
6820K17

6715K17

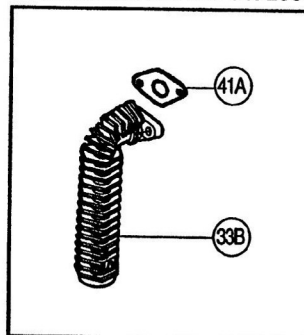
3095K18

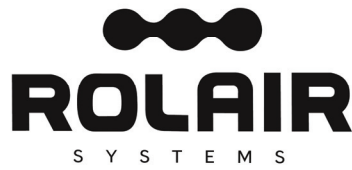


OPTIONAL ACCESSORIES



Production Prior to Feb. 2000





PARTS LIST FOR MODELS
5715K17 6820K17
6715K17 3095K18

Schem #	Description	Part #	Qty.	Schem #	Description	Part #	Qty.	
1	Twin Cylinder Pump w/Flywheel	PMP12K17CH	1	26	Cord w/110V Plug - Models 5715K17, 6715K17 & 6820K17	170	1	
	Twin Cylinder Pump w/Flywheel – Model 3095K18 Only	PMP12K18CH	1		Cord w/220V Plug - Model 3095K18	175	1	
2	Bolt	MIS10023	4	27	Pressure Switch Relief Valve	PS2020RV	1	
3	Motor Pulley	Specify Model	1		Pressure Switch Relief Valve – Model 3095K18 Only	PS4040RV	1	
4	1.5 HP Motor – Models 5715K17 & 6715K17	MTRC101	1	28	Check Valve	CV4X4T	1	
	1.5 HP Motor w/Dual-Voltage Switch	MTRC102	1	29	Brass Elbow	BREL0500X050039	1	
	2 HP Motor – Model 6820K17	MTRD103	1	30	Discharge Tube	SPECIFY MODEL	1	
	3 HP Motor – Model 3095K18	MTRE101	1	31	Brass Elbow	BREL0250X012539	1	
5	Box Connector	161A	2	32*	1/4" Nylon Tubing – 15.6" - Models 5715K17, 6715K17 & 6820K17	178D	1.3'	
6	Cord	173A	1		Brass Nut	BRNT0250	2	
7	Belt-Guard Base (Before S/N 11070001)	***N.L.A.			Brass Sleeve	BRSL0250	2	
	Belt-Guard Base (After S/N 11070001)	BG566A	1		Brass Ring	BRRG0250	2	
	Belt-Guard Cover (Before S/N 11070001)	***N.L.A.			1/4" Copper Tubing – 18" - Model 3095K18	MIS11100	1.5'	
	Belt-Guard Cover (After S/N 11070001)	BG567	1		Brass Nut	BRNT0250	2	
8	Belt	Specify Model	1		33A	Aftercooler	3290146ACH	1
9	Flywheel	31007280CH	1		33B	Aftercooler	USE 3290146ACH	1
10	Foam-Filled Flat-Free Tire	WLS50	1		34	Bolt	MIS10022	6
11	Axle	181	1		35	Safety Relief Valve	SRV0250N165	1
12	Cotter Pin	181A	2	36	Silencer/Filter Assembly	FS14050	1	
13	Twin Tank Assembly	Specify Model	1		Filter Element – Replacement for Above	431	1	
14	Rubber Foot	219	4	37	Drain Valve	132BV	2	
15	Drain Valve	132	1	38	Bolt	37302530CH	2	
16	Handle Grip	328	2	39	Nipple	BLNP0250X1500	1	
17	Nipple	BLNP0500X1500	1	40	Cap	BLCA0250	1	
18	Aluminum Block Manifold**	154	1	41A	Gasket	30501490CH	1	
19	Gauge – Tank	GA0250200GC	1	41B	O-Ring	30502510CH	1	
20	Quick Disconnect	309A	1	42	Screw	MIS10008	4	
21	Brass Coupler	BRCP0375X0375H12	2	(Accessories)				
22	Hose Clamp	177A	2	43	Lubricator	LUB0375	1	
23	3/8" Rubber Hose – 16"	178A	1.34'	44	Regulator	REG0375	1	
24	Box Connector	161	1	45	Filter	FIL0375	1	
25	Pressure Switch	PS2020M	1	46	Accessory Bracket	210	1	
	Pressure Switch – Model 3095K18 Only	PS4040	1	47	Nipple	BLNP0375X1500	3	
				48	Brass Coupler	BRCP0375X0375H12	1	
				49	Gauge - Line	GA0250200GC	1	

*Note: Nylon & Copper Tubing are sold by the foot; may be ordered in bulk lengths.

**Order part #154D if unit is built with dual controls.

***Units built prior to July 2011, order complete belt guard; part numbers BG566A and BG567.

