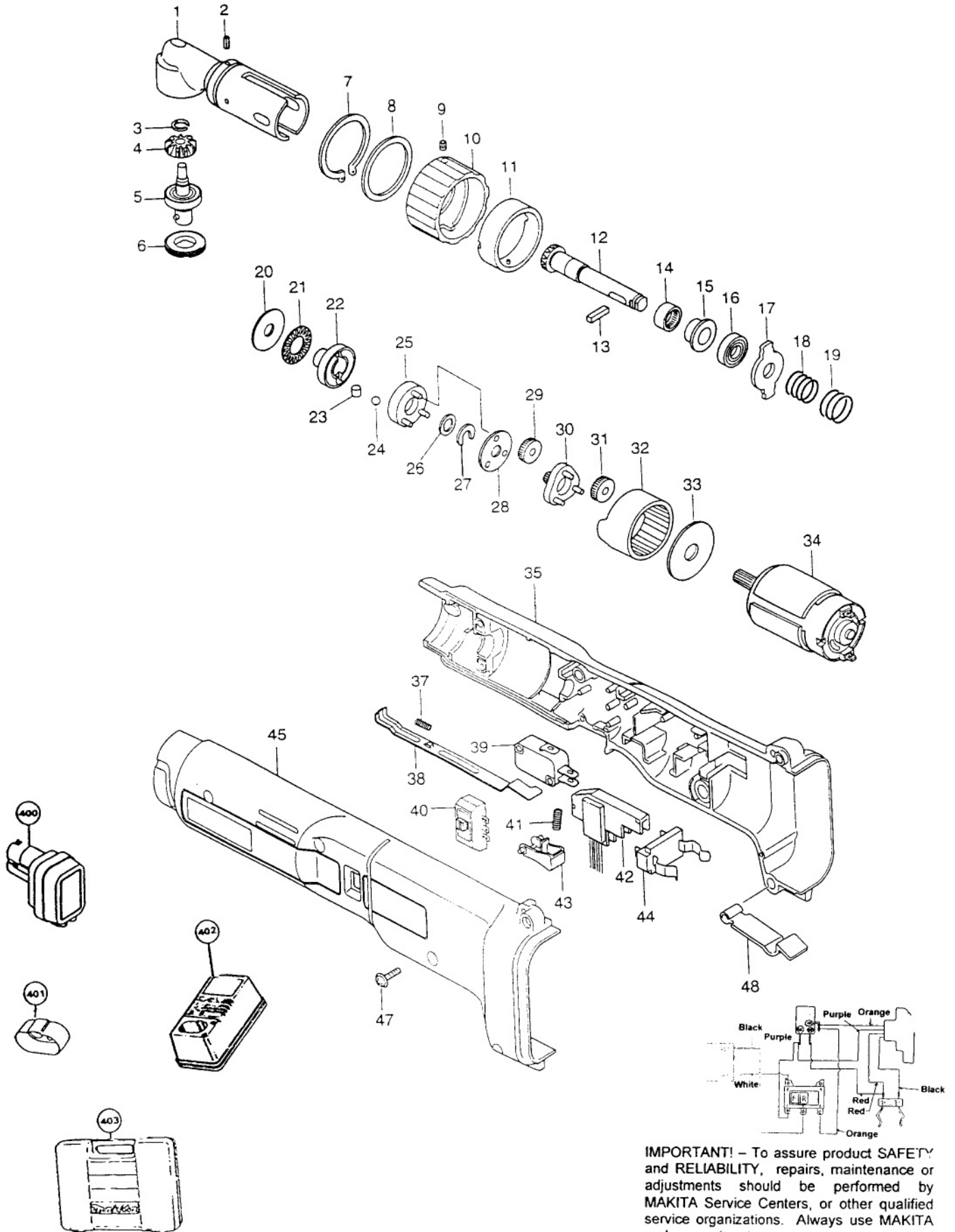




CORDLESS ANGLE SOCKET DRIVER

MODEL 6706D
MODEL 6706DW



IMPORTANT! - To assure product **SAFETY** and **RELIABILITY**, repairs, maintenance or adjustments should be performed by **MAKITA** Service Centers, or other qualified service organizations. Always use **MAKITA** replacement parts.

Fig.	Part No.	Qty. Used	Description	Fig.	Part No.	Qty. Used	Description
1	152558-6	1	HEAD COMPLETE	26	253998-2	1	LOCK WASHER 10
2	258002-2	2	SPRING PIN 3-6	27	343945-2	1	(U) PLATE
3	961023-2	1	RETAINING RING S-7	28	343896-9	1	PLATE
4	221391-8A	1	ZEROL BEVEL GEAR 14	29	226204-8	3	SPUR GEAR 28
5	152400-1A	1	SPINDLE COMPLETE (INCL. 1 EA. BALL BEARING 608LLB 211031-6, COMPRESSION SPRING 3 233081-1, FLAT WASHER 8 253139-0, PIN 3-5 256436-3, CAP 322640-7)	30	153196-7	1	SPUR GEAR 11 COMPLETE
6	285671-6	1	BEARING RETAINER 13-23	31	226204-8	3	SPUR GEAR 28
7	961172-5	1	RETAINING RING S-34	32	226205-6	1	INTERNAL GEAR 67
8	267093-2	1	FLAT WASHER 34	33	267067-3	1	FLAT WASHER 12
9	266025-6	2	SCREWM4X6	34	629624-9	1	DC MOTOR 9.6V (INCL. 1 EA. SPUR GEAR 11 226235-7)
10	415444-5	1	CHANGE RING	35	183057-7	1	HOUSING SET (INC. FIG. 45, 46)
11	152406-9	1	LOCK SLEEVE COMPLETE	37	233025-1	1	COMPRESSION SPRING 2
12	221390-0	1	ZEROL BEVEL GEAR 13	38	343898-5	1	LEVER
13	254235-7	1	KEY 4	39	651942-7	1	SWITCH V15-1A6-IN
14	212104-8	1	NEEDLE BEARING 1212	40	651889-5	1	SWITCH C3BC-BC
15	343798-9	1	SPACER	41	233024-3	1	COMPRESSION SPRING 4
16	211061-7	1	BALL BEARING 6000LLB	42	631283-7	1	CONTROL CIRCUIT
17	343897-7	1	SLIDE PLATE	43	414752-1	1	SWITCH LEVER
18	233026-9	1	COMPRESSION SPRING 15	44	643909-9	1	BATTERY HOLDER
19	233027-7	1	COMPRESSION SPRING 20	45	183057-7	1	HOUSING SET (INC. FIG. 35, 46)
20	267024-1	1	FLAT WASHER 12	47	911143-2	6	PAN HEAD SCREWM4X22
21	216402-2	1	THRUST NEEDLE GAUGE 1224	48	344798-2	1	SET PLATE
22	322493-4	1	RETAINER	ACCESSORIES			
23	256217-5	2	PIN 4	400	192019-4	1	BATTERY 9100
24	216013-3	2	STEEL BALL 6	401	414938-7	1	BATTEY COVER
25	152399-0	1	HOLDER COMPLETE	402	113122-8X	1	FAST CHARGER 9700
				403	824380-8	1	PLASTIC TOOL CASE