



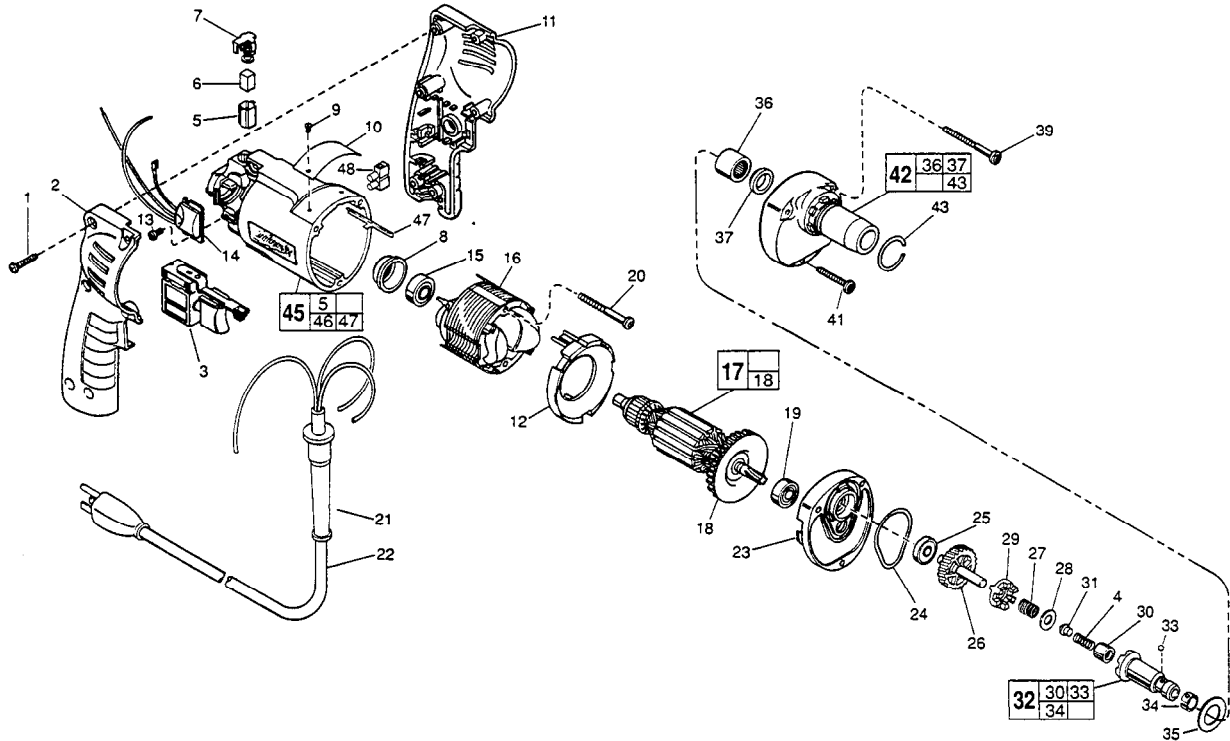
# SERVICE PARTS LIST

**BULLETIN NO.**  
**54-42-5750**

|  |         |                    |          |
|--|---------|--------------------|----------|
| SPECIFY CATALOG NO. AND SERIAL NO. WHEN ORDERING PARTS |         | REVISED BULLETIN   | DATE     |
| DRYWALL POWER UNIT                                     |         |                    | Apr. '97 |
| CATALOG NO.  | 6704-20 | SERIAL NUMBER      | 958A     |
|  |         | WIRING INSTRUCTION |          |
|  |         | 58-01-1591         |          |

00/0

**EXAMPLE:**  
Component Parts (Small #) Are Included  
When Ordering The Assembly (Large #).



| FIG. | PART NO.   | DESCRIPTION OF PART                | NO. REQ. |
|------|------------|------------------------------------|----------|
| 1    | 06-82-7284 | 8-16 x 3/4" Pan Hd. Plast. T-20    | (6)      |
| 2    | 31-44-1745 | Right Handle Half                  | (1)      |
| 3    | 23-66-2145 | Switch                             | (1)      |
| 4    | 40-50-0095 | Separator Spring                   | (1)      |
| 5    | 22-20-0830 | Brush Tube                         | (2)      |
| 6    | 22-16-0275 | Carbon Brush                       | (2)      |
| 7    | 23-52-1570 | Brush Spring Assembly              | (2)      |
| 8    | 22-72-0100 | Bearing Cup                        | (1)      |
| 9    | 06-72-1720 | Nameplate Rivet                    | (2)      |
| 10   | 12-99-0850 | Service Nameplate                  | (1)      |
| 11   | 31-44-1740 | Left Handle Half                   | (1)      |
| 12   | 42-14-0360 | Baffle                             | (1)      |
| 13   | 06-82-7212 | 4-20 x 1/4" Pan Hd. Plast. T-10    | (1)      |
| 14   | 14-20-0750 | Remote Module Assembly             | (1)      |
| 15   | 02-04-0645 | Ball Bearing                       | (1)      |
| 16   | 18-11-0150 | Field                              | (1)      |
| 17   | 16-10-0671 | Armature Assembly                  | (1)      |
| 18   | 22-84-0840 | Fan Assembly                       | (1)      |
| 19   | 02-04-0851 | Ball Bearing                       | (1)      |
| 20   | 06-82-7393 | 7-18 x 2" Pan Hd. Slit. Plast T-20 | (2)      |
| 21   | 44-76-0210 | Cord Protector                     | (1)      |
| 22   | 22-64-3181 | Cord Set                           | (1)      |
| 23   | 25-28-1990 | Diaphragm                          | (1)      |
| 24   | 43-44-0940 | Gasket                             | (1)      |
| 25   | 02-04-0645 | Ball Bearing                       | (1)      |
| 26   | 32-10-1051 | Clutch Gear Assembly               | (1)      |
| 27   | 40-50-8515 | Bias Spring                        | (1)      |
| 28   | 45-88-0555 | Thrust Washer                      | (1)      |
| 29   | 42-70-0310 | Drive Clutch                       | (1)      |
| 30   | 02-50-2400 | Needle Bearing                     | (1)      |
| 31   | 44-60-0505 | Thrust Pin                         | (1)      |
| 32   | 42-66-0710 | Clutch Chuck Assembly              | (1)      |
| 33   | 02-02-0130 | 9/64" Steel Ball                   | (1)      |
| 34   | 40-50-0510 | Retaining Spring                   | (1)      |

| FIG. | PART NO.   | DESCRIPTION OF PART                    | NO. REQ. |
|------|------------|--|----------|
| 35   | 45-88-8350 | Stop Washer                            | (1)      |
| 36   | 02-50-4220 | Needle Bearing                         | (1)      |
| 37   | 45-06-0570 | Oil Seal                               | (1)      |
| 39   | 06-82-7368 | 7-18 x 1-3/4" Pan Hd. Slit. Plast T-20 | (2)      |
| 41   | 06-82-7320 | 7-18 x 1-1/4" Pan Hd. Stl. Plast. T-20 | (1)      |
| 42   | 14-30-0435 | Gear Case Assembly                     | (1)      |
| 43   | 44-90-0401 | Locator Ring                           | (1)      |
| 45   | 14-38-0601 | Motor Housing Assembly                 | (1)      |
| 46   | 23-94-6225 | Ground Wire Assembly (Not Shown)       | (1)      |
| 47   | 44-60-0530 | Ground Pin                             | (1)      |
| 48   | 22-56-0456 | Terminal Block                         | (1)      |

**FIG. LUBRICATION**

- 17,26,27 1/64 Oz. Type "E" Grease, No. 49-08-4122, On Bias Spring. 1/64 Oz. In The Clutch Pockets Of The Clutch Gear.
- 1/64 Oz. On Each Side Of Armature Pinion At Clutch Gear.
- 42 3/16 Oz. In Pinion Pocket Of Gear Case.

Apply A Light Film Of "E" Grease To Ball And Needle Bearing Pockets Of The Diaphragm And Gear Case Prior To Pressing Bearings. Apply A Light Film Of "E" Grease To The Lead Chamfer Of Clutch Chuck, Thrust Pin And Separator Spring Prior To Assembly.

**FIG. NOTES**

- 1 Torque To 18-28 In./Lbs.
- 20,41,39 Torque To 15-20 In./Lbs.
- 13 Torque To 3-5 in./Lbs.

**MILWAUKEE ELECTRIC TOOL CORPORATION**  
13135 W. LISBON RD., BROOKFIELD, WI 53005