



SERVICE PARTS LIST

BUL. 54-42-4052

POSITIVE DRIVE SCREWDRIVER

REVISED BUL 54-42-4052 DATE Feb.'70

Catalog No. 6620-1

Starting Serial No. **135-1285**

WIRING INSTR. **58-01-0210**

Both Model and Serial No. must be furnished to obtain correct parts.

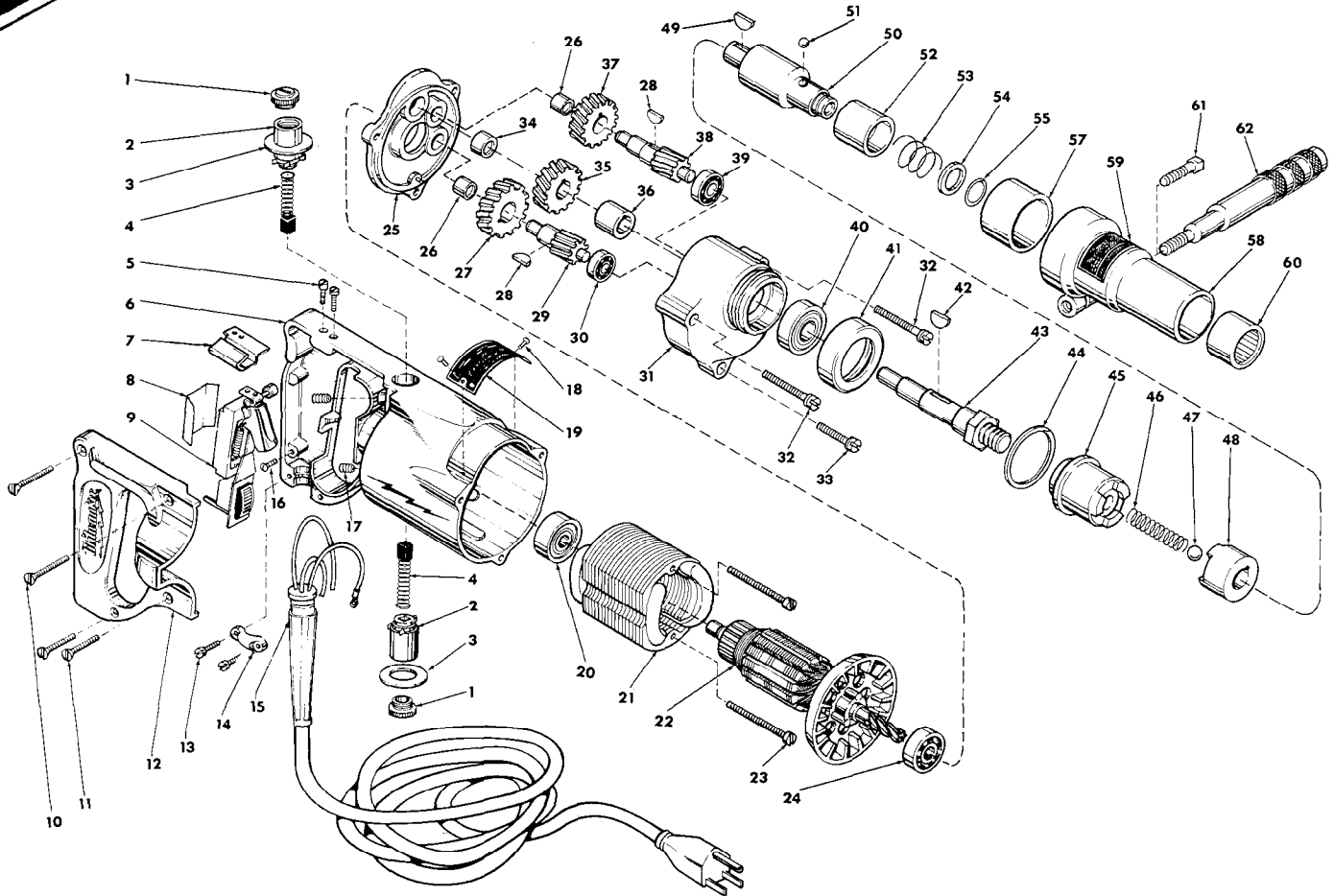


FIG.	PART NO.	DESCRIPTION OF PART	NO. REQ.	FIG.	PART NO.	DESCRIPTION OF PART	NO. REQ.
1	23-44-0060	Brush Retaining Screw	(2)	32	06-81-6650	8-32x1-3/4 Fil.Hd. Sem	(2)
2	22-22-0080	Brush Holder	(2)	33	06-81-6350	8-32x1 Fil.Hd. Sem	
3	23-86-0110	Washer	(2)	34	02-50-2110	Needle Bearing	
4	22-18-0100	Carbon Brush	(2)	35	32-75-2061	Spindle Gear	
5	06-81-5800	6-32x5/16 Fil.Hd. Sem	(2)	36	45-36-0210	Spindle Gear Spacer	
6	28-50-4488	Motor Housing (Includes Fig. Nos. 10, 11 and 12)		37	32-75-2041	Spindle Gear	
★ 7	42-68-0225	Wire Clamp		38	36-66-4001	Intermediate Shaft	
8	23-16-0340	Switch Insulator		39	02-04-0820	Ball Bearing	
9	23-66-0485	Reversing Switch		40	02-04-1560	Ball Bearing	
10	06-81-3750	8-32x1 Oval Hd. Screw	(2)	41	42-52-0071	Bearing Cap	
11	06-81-3700	8-32x7/8 Oval Hd. Screw	(2)	42	06-42-1600	Woodruff Key	
12	28-20-3601	Handle Cover		43	38-50-3601	Spindle	
13	06-81-6150	8-32x1/2 Fil.Hd. Sem	(2)	44	34-80-2800	Retaining Ring	
14	28-17-0400	Clamp Strap		45	43-90-0060	Driving Jaw	
15	22-64-0380	Cord Set		46	40-50-0900	Separating Spring	
16	06-81-8625	6-32x1/4 Rd.Hd. Bronze		47	02-02-0250	1/4 Dia. Steel Ball	
17	06-83-2650	1/4-20x3/8 Knrl. Set Screw	(2)	48	43-90-0050	Chuck Jaw	
★ 18	06-77-0625	6x1/4 Rd. Driv-In Screw	(2)	49	06-42-2000	Woodruff Key	
19	12-98-0800	Nameplate		50	42-66-0165	Chuck Assembly	
20	02-04-0970	Ball Bearing		51	02-02-0180	3/16 Dia. Steel Ball	
21	18-42-1141	115 Volt Rev. Field		52	42-76-0090	Bit Retaining Collar	
22	16-42-1210	115 Volt Armature		53	40-50-1000	Compression Spring	
23	06-81-6600	8-32x1-3/4 Fil.Hd. Sem	(2)	54	45-88-0070	Collar Stop Washer	
24	02-04-0940	Ball Bearing		55	34-60-1300	Retaining Ring	
25	28-28-0661	Diaphragm		56	14-75-0250	Sleeve Assy. (Incl. Figs. 57,58,59 & 61)	
26	02-50-1640	Needle Bearing	(2)	57	42-24-0080	Driving Jaw Bearing	
27	32-40-1241	Intermediate Gear		58	45-22-0070	Sleeve Assy.	
28	06-42-0800	Woodruff Key	(2)	59	12-98-5910	Identification Plate	
29	36-66-2801	Intermediate Shaft		60	02-50-6440	Needle Bearing	
30	02-04-0640	Ball Bearing		61	06-75-0500	3/8-16 x 1 Hex. Hd. Screw	
31	28-14-1261	Gear Case		62	43-62-0160	Side Handle	