



SERVICE PARTS LIST

BUL. 54-42-2150

SCREWDRIVER

REVISED BUL 54-42-2150 DATE March '70

Catalog No. 6582-1

Starting Serial No. **434-1001**

WIRING INSTR. **58-01-0650**

Both Model and Serial No. must be furnished to obtain correct parts.

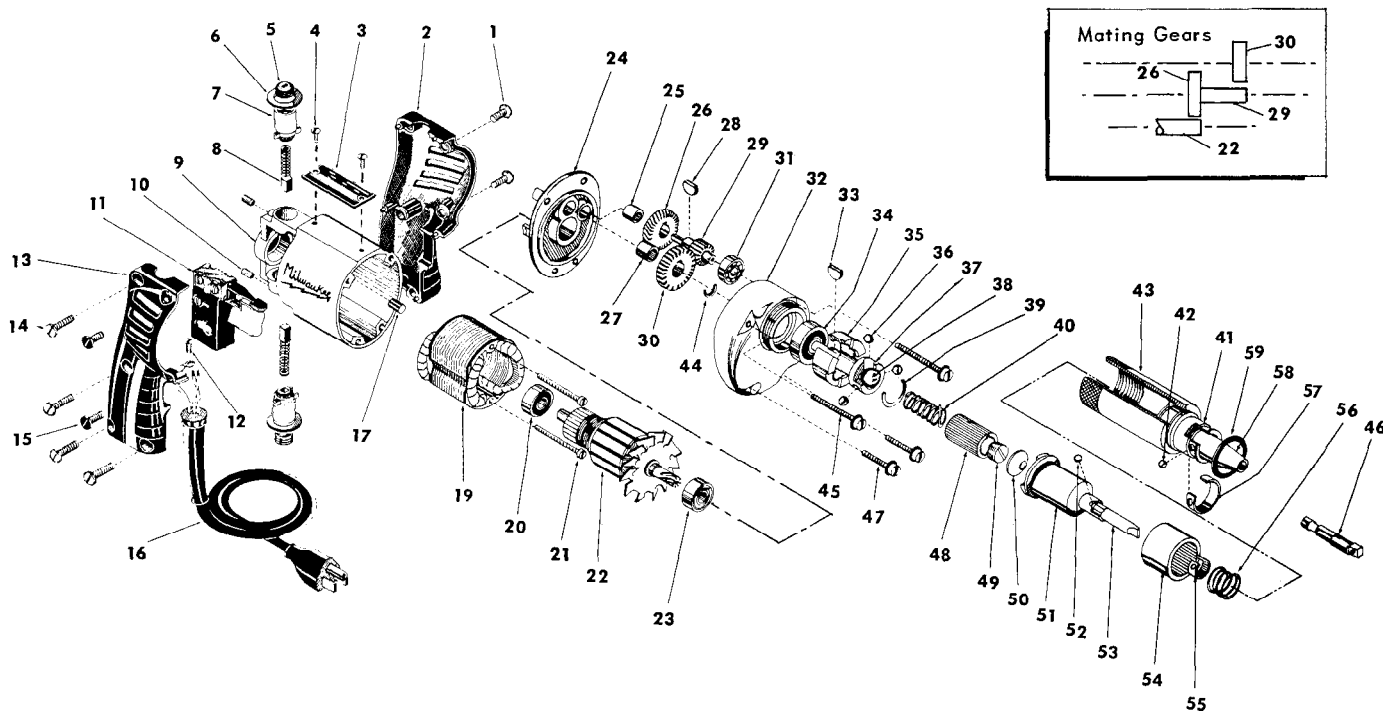


FIG.	PART NO.	DESCRIPTION OF PART	NO.REQ.
1	06-81-0450	8-32x3/8 Pan Hd, Handle Mtg. Scr.	(2)
2	31-44-0261	L. H. Handle Half	
3	12-98-0600	Name Plate	
4	06-77-0625	Name Plate Drive Screws	(2)
5	23-44-0020	Brush Retaining Cap	(2)
6	23-86-0070	Insulating Washer	(2)
7	22-22-0251	Brush Holder Assy.(incl.fig.6)	(2)
8	22-18-0360	Carbon Brush Assy.	(2)
9	28-50-6091	Motor Housing (incl.fig.17)	
10	06-83-2430	10-32x1/4 Brush Hldr.Soc.Hd. Set Scr.	(2)
11	23-66-0790	Rev.Speed Control Switch (see fig.18)	
12	06-81-8625	6-32x1/4 (Bronze) Rd. Hd. Ground Screw	
13	31-44-0250	R. H. Handle Half	
14	06-81-0400	8-32x3/4 Pan Hd, Handle Mtg. Scr.	(4)
15	06-81-0450	8-32x3/8 Pan Hd, Handle Mtg. Scr.	(2)
16	22-64-0660	Cord Set	
17	45-30-0120	Ball Bearing Ret. Slug	
18	06-97-1700	Lock Washer For Switch(not shown)	(8)
19	18-22-1121	Field Assy.	
20	02-04-0740	Ball Bearing	
21	06-81-5950	6-32x 1-7/8 Fil. Hd. Field Screws	(2)
22	16-22-1241	Armature Assy.	
23	02-04-0740	Ball Bearing	
24	28-28-0221	Diaphragm	
25	02-50-1210	Needle Bearing	
26	32-40-1121	Intermediate Gear	
27	02-50-1640	Needle Bearing	
28	06-42-0400	Woodruff Key	
29	36-66-0851	Intermediate Pinion Shaft	
30	32-75-1121	Spindle Gear	
31	02-04-0640	Ball Bearing	
32	28-14-0361	Gear Case	
33	06-42-0800	Woodruff Key	

FIG.	PART NO.	DESCRIPTION OF PART	NO.REQ.
34	02-04-1020	Ball Bearing	
35	42-76-0100	Clutch Collar	
36	02-02-0310	5/16" Dia. Driving Balls	(3)
37	38-50-2251	Spindle	
38	02-02-0560	9/16" Dia. Ball	
39	34-60-1700	Retaining Ring	
40	40-50-1500	Torque Limiting Spring (heavy-red)	
40a	40-50-1600	Torque Limiting Spring (med-plain)	
40b	40-50-1700	Torque Limiting Spring (light-blue)	
41	43-56-0060	Finder Guide	
42	02-02-0150	5/32" Dia. Finder Retaining Ball	
43	45-22-0090	Sleeve	
44	34-60-0600	Spindle Snap Ring	
45	06-81-6550	8-32x1 1/2 Fil.Hd. Sems Gear Case Scrs.	(2)
46	48-32-2050	Square Drive	
47	06-81-6300	8-32x7/8 Fil.Hd. Sems Gear Case Scrs.	(2)
48	43-84-0060	Threaded Insert	
49	45-04-0090	Adjusting Screw	
50	45-88-0200	Bit Backing Washer	
51	42-66-0230	Chuck	
52	02-02-0150	5/32" Dia. Ball	
53	48-30-0500	Hex Bit	
53a	48-30-0505	Hex Bit	
53b	48-30-0510	Hex Bit	
54	02-50-6440	Needle Bearing	
55	40-50-1400	Bit Retaining Spring	
56	40-50-1900	Finder Spring	
57	40-50-1800	Finder Retaining Spring	
58	48-30-2025	Finder	
58a	48-30-2050	Finder	
58b	48-30-2075	Finder	
59	34-60-2060	Retaining Ring	