



SERVICE PARTS LIST

BULLETIN NO.
54-42-6325

SPECIFY CATALOG NO. AND SERIAL NO. WHEN ORDERING PARTS		REVISED BULLETIN	DATE
ADJUSTABLE TORQUE SCREWDRIVER			Aug. 2011
CATALOG NO.	6581-20	STARTING SERIAL NO.	200A
		WIRING INSTRUCTION	58-01-1805

EXAMPLE:
Component Parts (Small #)
Are Included When Ordering
The Assembly (Large #).

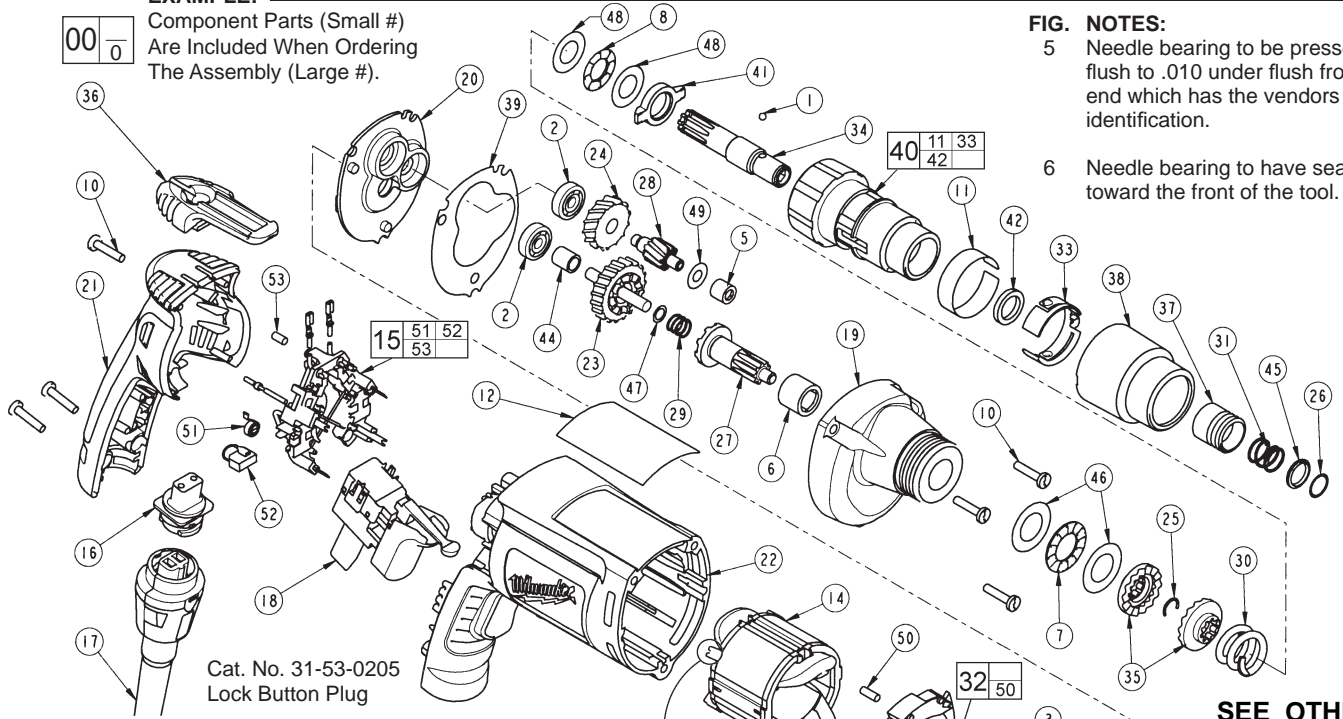


FIG. NOTES:
5 Needle bearing to be pressed flush to .010 under flush from end which has the vendors identification.
6 Needle bearing to have seal toward the front of the tool.

SEE OTHER SIDE OF BULLETIN

FIG.	PART NO.	DESCRIPTION OF PART	NO. REQ.
1	02-02-0130	Steel Ball	(1)
2	02-04-0640	Ball Bearing	(2)
3	02-04-0645	Ball Bearing	(1)
4	02-04-0852	Ball Bearing	(1)
5	02-50-2400	Needle Bearing	(1)
6	02-50-3245	Needle Roller Bearing	(1)
7	02-80-1200	Thrust Needle Bearing	(1)
8	02-80-6020	Thrust Bearing	(1)
9	22-84-0845	Fan Assembly	(1)
10	06-82-7275	7-18 x 3/4 Slotted Plastite Torx T-20	(6)
11	10-79-3100	Torque Setting Label	(1)
12	12-99-2665	Service Nameplate	(1)
13	16-10-2205	Armature	(1)
14	18-07-2200	Field	(1)
15	22-18-1210	Brush Card Assembly	(1)
16	22-56-1000	Blade Housing Assembly	(1)
17	48-76-5010	Quik-Lok Cord Set	(1)
18	23-66-2585	Switch	(1)
19	28-14-2405	Gearcase	(1)
20	28-28-2315	Diaphragm	(1)
21	31-15-2030	Handle Halve	(1)
22	31-50-2030	Motor Housing	(1)
23	32-10-4065	Clutch Gear Assembly	(1)
24	32-40-0100	Intermediate Gear	(1)
25	34-60-0545	Retaining Ring	(1)
26	34-60-2390	Retaining Ring	(1)
27	36-14-0665	Clutch Shaft Assembly	(1)
28	36-66-0120	Intermediate Shaft	(1)
29	40-50-6600	Separator Spring	(1)
30	40-50-8000	Clutch Spring	(1)
31	40-50-8005	Compression Spring	(1)
32	42-14-0460	Baffle Assembly	(1)
33	42-16-0140	Adjustment Band	(1)
34	42-66-0676	Chuck Shaft	(1)
35	42-70-5016	Drive Clutch	(2)
36	42-70-5280	Belt Clip	(1)
37	42-76-0390	Locking Collar	(1)
38	42-76-0460	Adjustment Collar	(1)
39	43-44-0985	Gasket	(1)
40	14-08-0190	Clutch Housing Assembly	(1)
41	44-90-4280	Adjustment Ring	(1)
42	45-06-0106	Oil Seal	(1)
44	45-36-1280	Spacer	(1)



FIELD TERMINAL POCKETS
Fill cavities with Type "X" contact grease No. 49-08-5000, 4 places. Do not over fill and allow grease to extend past edges.

FIG.	PART NO.	DESCRIPTION OF PART	NO. REQ.
45	45-36-1300	Spacer	(1)
46	45-88-0510	Thrust Bearing Washer	(2)
47	45-88-0712	Thrust Washer	(1)
48	45-88-7150	Thrust Washer	(2)
49	45-88-7990	Thrust Washer	(1)
50	45-30-0030	Slug	(2)
51	23-52-1610	Brush Spring	(2)
52	22-18-1310	Brush Assembly	(2)
53	45-30-0035	Slug	(1)

LUBRICATION (Type "L" Grease, No. 49-08-4170)

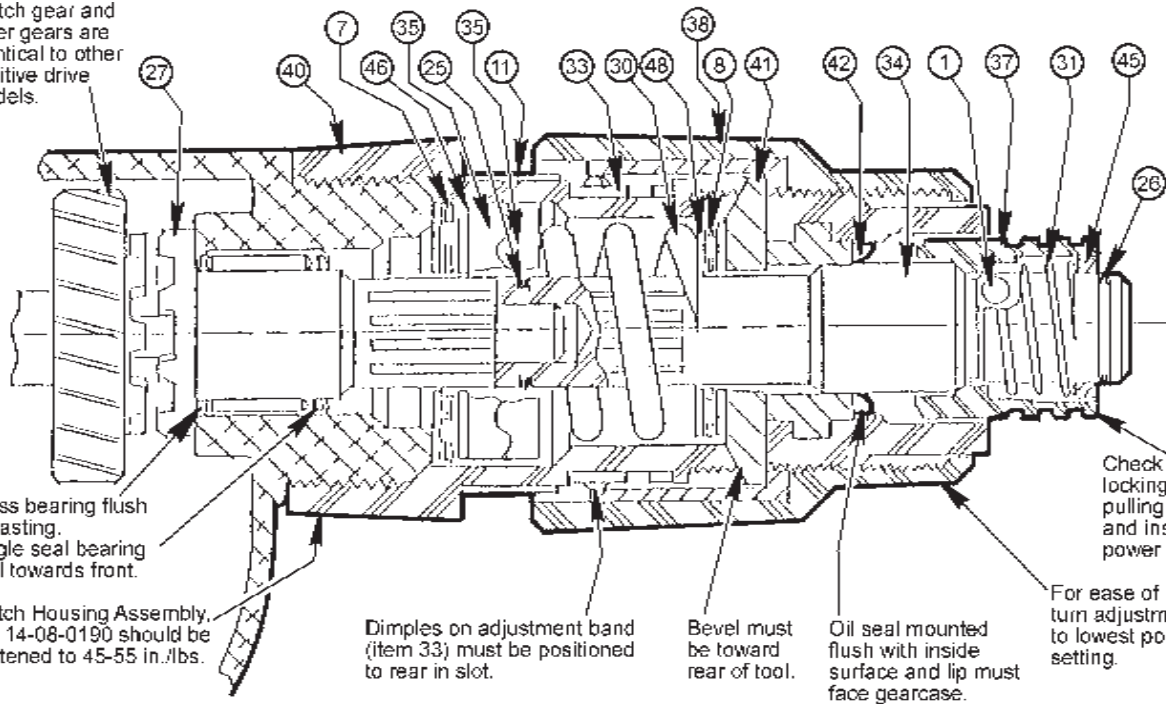
- Place 1.8 gm. (.06 oz.) of grease on the drive clutch surfaces (35).
- Equally distribute 1.8 gm. (.06 oz.) of grease on the thrust bearings (7 and 8), oil seal (42) and the tabs of the adjustment ring (41).

LUBRICATION (Type "Y" Grease, No. 49-08-5270)

- Equally distribute 1.5 gm. (.05 oz.) of grease on the lugs of the clutch gear (23), clutch shaft (27), separator spring (29) and the thrust washer (47).
- In the gearcase (19), place 3.6 gm. (.13 oz.) of grease in the counterbore above the inserted intermediate needle bearing (5).
- Place 13 gm. (.46 oz.) of grease at the armature pinion location in the gearcase (19) and fill to the top of the intermediate gear (24).

Before assembly, lightly coat all press fit areas with lightweight spindle oil.

Clutch gear and other gears are identical to other positive drive models.



Drive clutches must slide back and forth freely on shaft splines. Defective splines that stick will not function properly.

Lubrication

Apply 1/16 oz. Type "L" grease, No. 49-08-4170, on clutch faces of drive clutch (#35). Apply a small amount of "L" grease on thrust bearings (#7 and #8), oil seal lip (#42) and tabs of adjustment ring (#41).

ORDER OF ASSEMBLY	ITEM NUMBER	PART NUMBER	DESCRIPTION	
Clutch Housing Assembly No. 14-08-0190	1	40	14-08-0190	Clutch Hsg. Assy. (Includes Bushing No. 42-40-0920)
	2	42	45-06-0106	
	3	33	42-16-0140	
	4	11	10-79-3100	
	5	41	44-90-4280	
	6	34	42-66-0676	
	7	1	02-02-0130	
	8	37	42-76-0390	
	9	31	40-50-8005	
	10	45	45-36-1300	
	11	26	34-60-2390	
	12	48	45-88-7150	
	13	8	02-80-6020	
	14	30	40-50-8000	
	15	35	42-70-5016	
	16	25	34-60-0545	
	38	42-76-0460	Adjustment Collar (Includes insert No. 43-84-0740)	Not In Order Of Assembly
	27	36-14-0665	Clutch Shaft Assembly	
	46	45-88-0510	Thrust Bearing Washers (2 each) (Place on each side of Item #7, Thrust Bearing)	
	7	02-80-1200	Thrust Bearing	
	35	42-70-5016	Drive Clutch	