



SERVICE PARTS LIST

BUL.54-42-0952

POSITIVE DRIVE SCREWDRIVER

REVISED BUL
54-42-0952

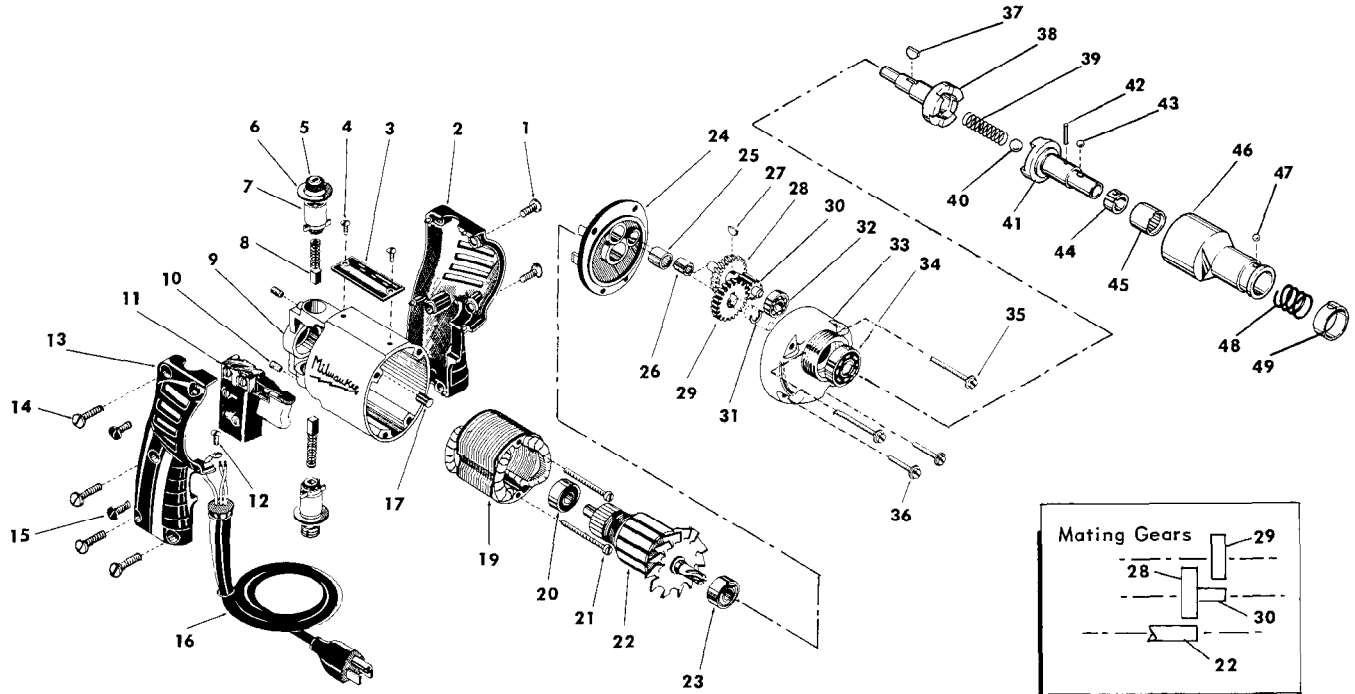
DATE
March '70

Catalog No. 6571-1

Starting
Serial No. **426-1263**

WIRING INSTR.
58-01-0640

Both Model and Serial No. must be furnished to obtain correct parts.



| FIG. | PART NO. | DESCRIPTION OF PART | NO.REQ. | FIG. | PART NO. | DESCRIPTION OF PART | NO.REQ. |
|------|------------|---|---------|------|------------|------------------------------------|---------|
| 1 | 06-81-0450 | 8-32x3/8 Pan Hd. Screw | (2) | 26 | 02-50-1210 | Needle Bearing | |
| 2 | 31-44-0260 | L. H. Handle Half | | 27 | 06-42-0400 | Woodruff Key | |
| 3 | 12-98-0600 | Name Plate | | 28 | 32-40-1041 | Intermediate Gear | |
| 4 | 06-77-0625 | 6x1/4 Rd. Driv-In Screw | (2) | 29 | 32-75-2441 | Spindle Gear | |
| 5 | 23-44-0020 | Brush Retaining Cap | (2) | 30 | 36-66-3701 | Intermediate Shaft | |
| 6 | 23-86-0070 | Insulating Washer | (2) | 31 | 34-60-0600 | Spindle Snap Ring | |
| 7 | 22-22-0251 | Brush Holder Assy.(incl. fig.6) | (2) | 32 | 02-04-0640 | Ball Bearing | |
| 8 | 22-18-0360 | Carbon Brush Assy. | (2) | 33 | 28-14-0361 | Gear Case | |
| 9 | 28-50-6091 | Motor Housing(incl. fig.17) | | 34 | 02-04-1020 | Ball Bearing | |
| 10 | 06-83-2430 | 10-32x1/4 Brush Hldr,Soc.Hd. Set Scr. (2) | | 35 | 06-81-6550 | 8-32x1 1/2 Fil.Hd. Gear Case Screw | (2) |
| 11 | 23-66-0810 | Reversing Switch(see fig.18) | | 36 | 06-81-6300 | 8-32x7/8 Fil.Hd. Gear Case Screw | (2) |
| 12 | 06-81-8625 | 6-32x1/4 (Bronze) Rd. Hd. Ground Scrs. | | 37 | 06-42-0800 | Woodruff Key | |
| 13 | 31-44-0250 | R. H. Handle Half | | 38 | 38-50-2301 | Spindle | |
| 14 | 06-81-0400 | 8-32x3/4 Pan Hd. Handle Mtg. Scr. (4) | | 39 | 40-50-2000 | Separating Spring | |
| 15 | 06-81-0450 | 8-32x3/8 Pan Hd. Handle Mtg. Scr. (2) | | 40 | 02-02-0310 | 5/16 Steel Ball | |
| 16 | 22-64-0660 | Cord Set | | 41 | 42-66-0240 | Chuck (incl. fig. 42) | |
| 17 | 45-30-0120 | Ball Bearing Ret. Slug | | 42 | 06-65-1534 | 1/8 x 5/8 Roll Pin | |
| 18 | 06-97-1700 | Lock Washer For Switch(not shown) | (8) | 43 | 02-02-0150 | 5/32 Steel Ball | |
| 19 | 18-22-1121 | Field Assembly | | 44 | 40-50-1400 | Bit Retaining Spring | |
| 20 | 02-04-0740 | Ball Bearing | | 45 | 02-50-3640 | Needle Bearing | |
| 21 | 06-81-5950 | 6-32x 1-7/8 Fil. Hd. Field Screws | (2) | 46 | 45-22-0100 | Sleeve | |
| 22 | 16-22-1231 | Armature Assy. | | 47 | 02-02-0150 | 5/32 Steel Ball | |
| 23 | 02-04-0880 | Ball Bearing | | 48 | 40-50-1900 | Finder Spring | |
| 24 | 28-28-0221 | Diaphragm | | 49 | 40-50-1800 | Finder Retaining Spring | |
| 25 | 02-50-1640 | Needle Bearing | | | | | |