



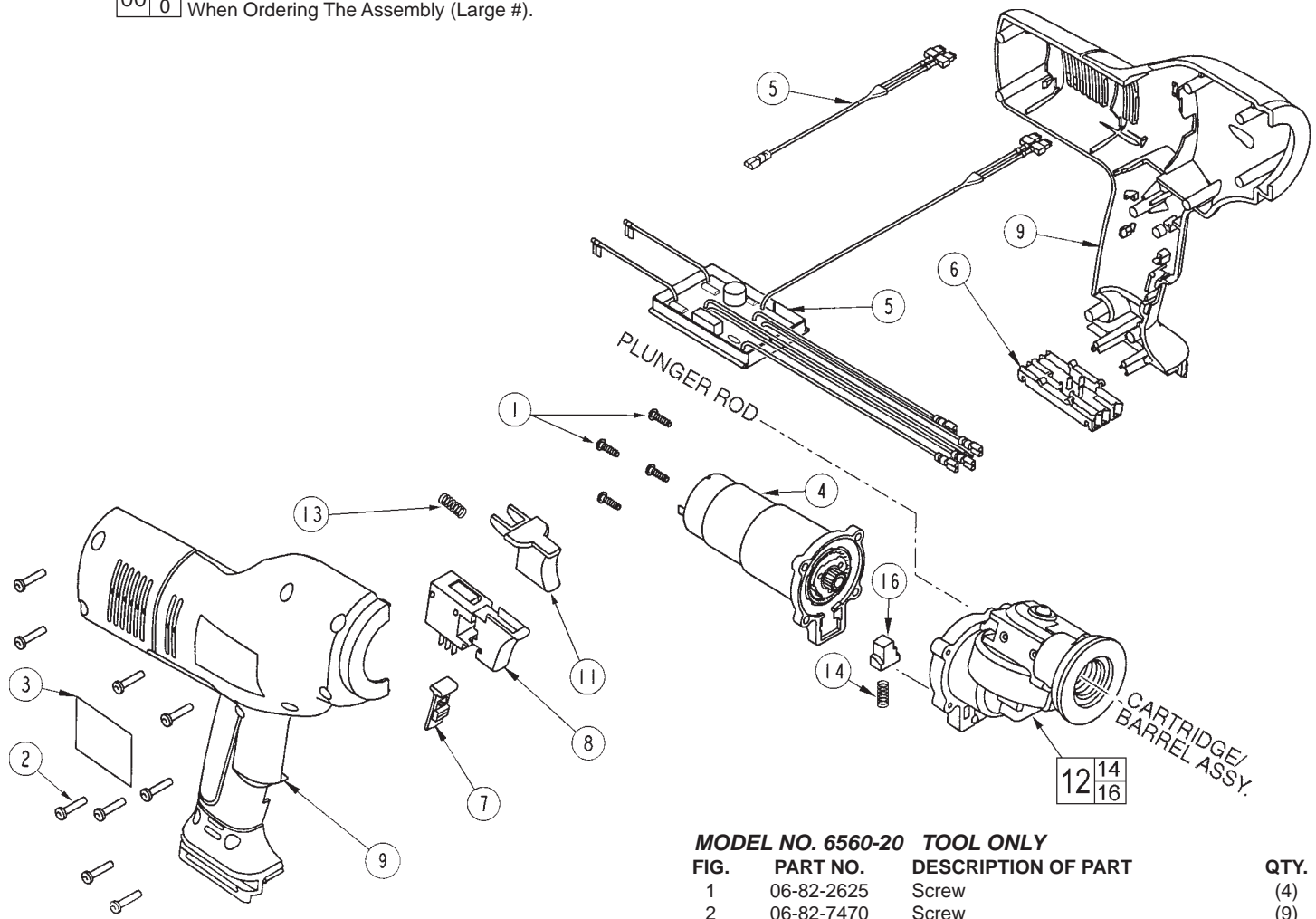
SERVICE PARTS LIST

SPECIFY CATALOG NO. AND SERIAL NO. WHEN ORDERING PARTS		REVISED BULLETIN	DATE
CORDLESS CAULK GUN		54-06-1475	Oct. 2006
CATALOG NO.	6560-20	SERIAL NUMBER	282B
		WIRING INSTRUCTION SEE PAGE 3	

EXAMPLE:

00	0
----	---

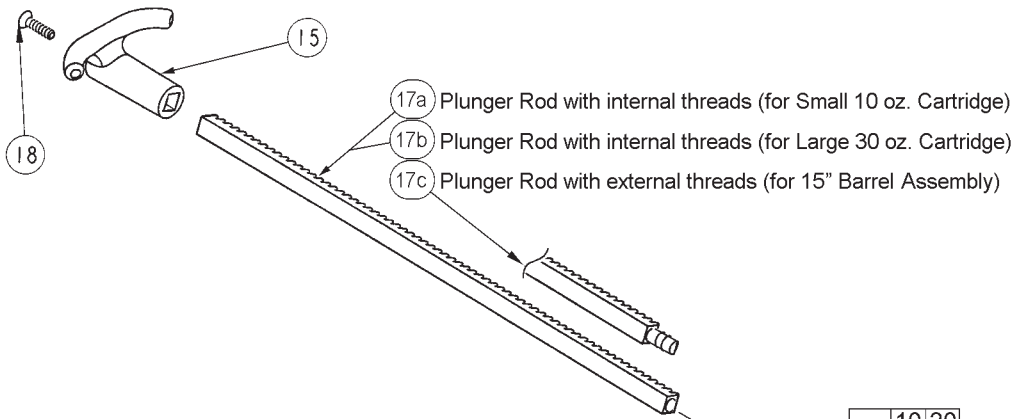
 Component Parts (Small #) Are Included
 When Ordering The Assembly (Large #).



MODEL NO. 6560-20 TOOL ONLY

FIG.	PART NO.	DESCRIPTION OF PART	QTY.
1	06-82-2625	Screw	(4)
2	06-82-7470	Screw	(9)
3	12-20-5215	Service Nameplate Kit	(1)
4	14-50-0700	Motor / Gearcase Assembly	(1)
5	22-09-1625	P.C. Board Assembly	(1)
6	22-56-0195	Connector Block	(1)
7	23-66-2230	Lock Switch	(1)
8	23-66-2390	Switch	(1)
9	31-50-1490	Housing Kit	(1)
11	31-92-0340	Clutch Release Trigger	(1)
12	32-48-0090	Output Gearcase Assembly	(1)
13	40-50-0990	Trigger Spring	(1)
14	40-50-3930	Lever Spring	(1)
16	44-10-0500	Clutch Release Lever	(1)

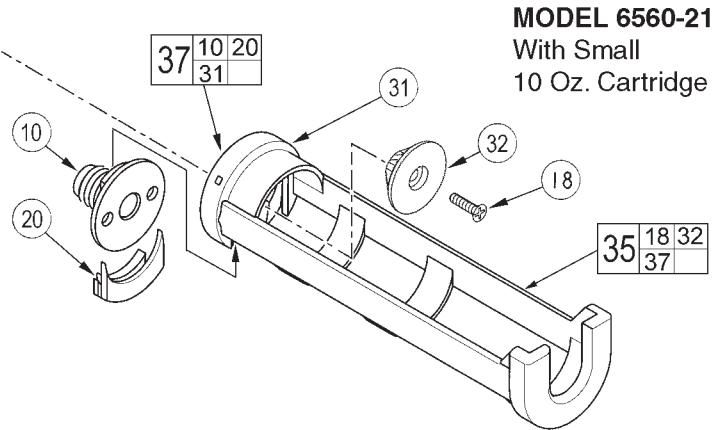
**SEE PAGE TWO FOR
CARTRIDGE / BARREL
ASSEMBLIES**



TOOL MODELS SHOWN BELOW ALSO INCLUDE COMPONENTS LISTED ON THE FRONT COVER

**MODEL NO. 6560-21
TOOL with SMALL 10 OZ. CARTRIDGE**

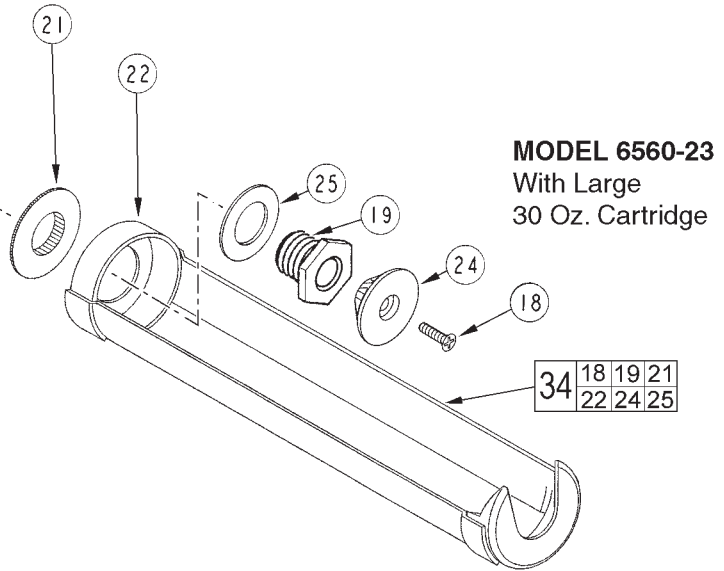
FIG.	PART NO.	DESCRIPTION OF PART	QTY.
10	45-04-0715	Frame Mounting Screw	(1)
15	31-44-1025	Plunger Rod Hook	(1)
17a	49-52-0600	Plunger Rod	(1)
18	45-04-0661	Screw-Plunger Rod	(2)
20	31-12-0275	Frame Cap	(1)
31	31-01-1700	Frame	(1)
32	44-70-0630	Plunger	(1)
35	48-08-1075	Small Cartridge Assembly	(1)
37	31-01-1705	Cartridge Frame Assembly	(1)
38	49-96-4670	Wrench (Not Shown)	(1)



**MODEL 6560-21
With Small
10 Oz. Cartridge**

**MODEL NO. 6560-23
TOOL with LARGE 30 OZ. CARTRIDGE**

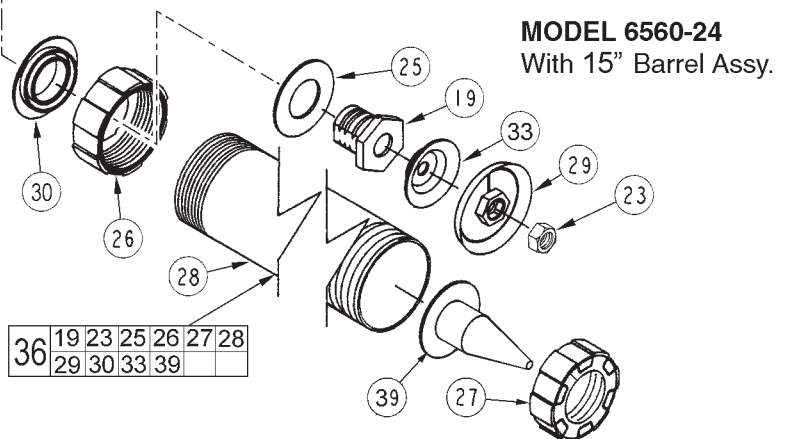
FIG.	PART NO.	DESCRIPTION OF PART	QTY.
15	31-44-1025	Plunger Rod Hook	(1)
17b	49-52-0650	Plunger Rod	(1)
18	45-04-0661	Screw-Plunger Rod	(2)
19	45-04-0705	Barrel Screw	(1)
21	31-86-0210	Washer-Black	(1)
22	43-40-0010	Frame	(1)
24	44-70-0650	Plunger	(1)
25	45-88-0595	Washer	(1)
34	48-08-1080	Large Cartridge Assembly	(1)
38	49-96-4670	Wrench (Not Shown)	(1)



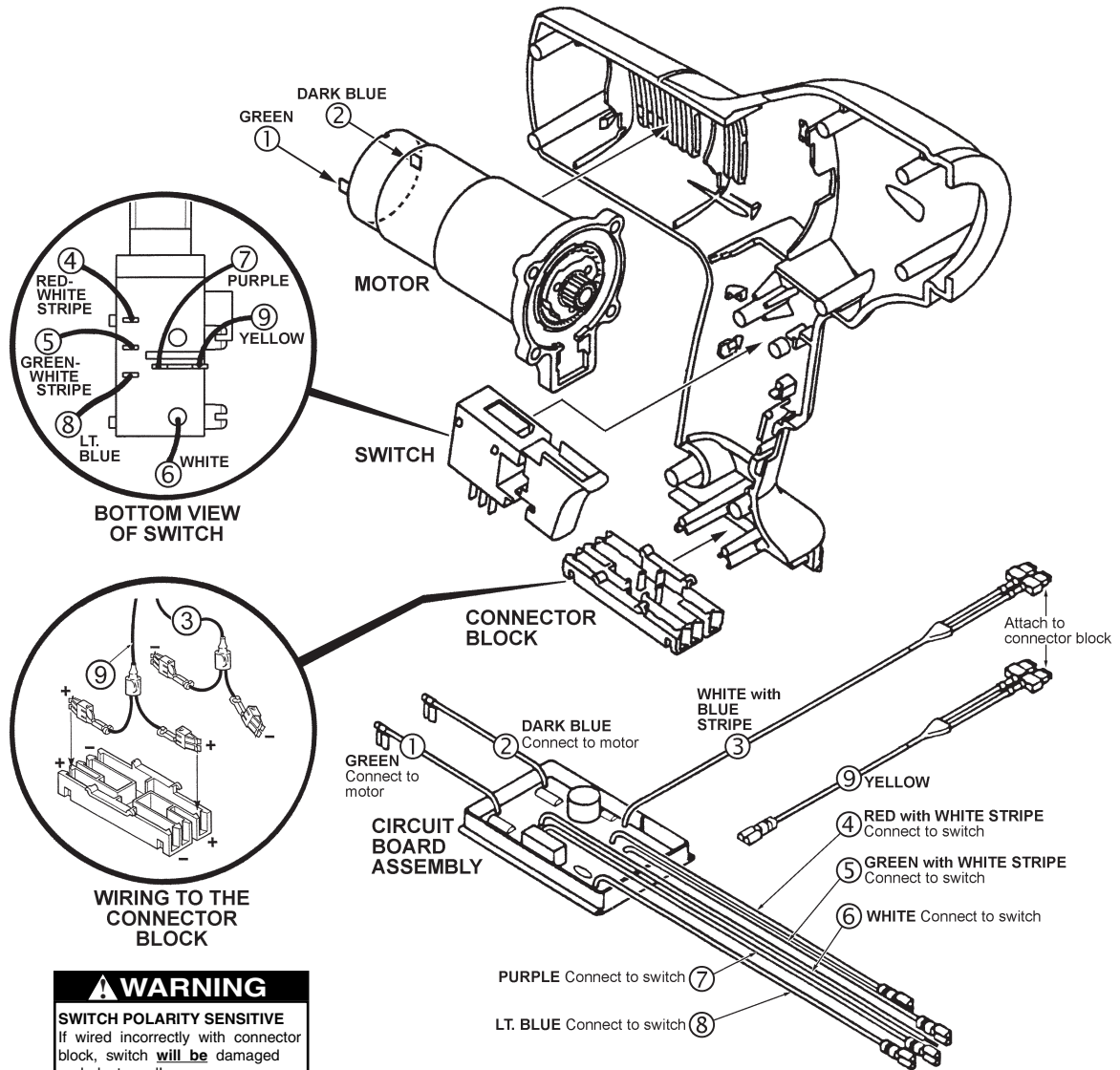
**MODEL 6560-23
With Large
30 Oz. Cartridge**

**MODEL NO. 6560-24
TOOL with 15" BARREL ASSEMBLY**

FIG.	PART NO.	DESCRIPTION OF PART	QTY.
15	31-44-1025	Plunger Rod Hook	(1)
17c	49-52-0660	Plunger Rod	(1)
18	45-04-0661	Screw-Plunger Rod	(1)
19	45-04-0705	Barrel Screw	(1)
23	06-55-2457	Retaining Nut	(1)
25	45-88-0595	Washer	(1)
26	42-52-1005	Cap Mount	(1)
27	42-52-1000	Nozzle Cap	(1)
28	30-06-0010	Barrel	(1)
29	44-70-0040	Plunger-Plastic	(1)
30	31-86-0220	Washer-Grey	(1)
33	44-70-0300	Steel Plunger	(1)
36	48-08-1090	Barrel Assembly	(1)
38	49-96-4670	Wrench (Not Shown)	(1)
39	45-76-0525	Yellow Nozzle (Qty. 2 supplied with 36)	(1)



**MODEL 6560-24
With 15" Barrel Assy.**



⚠ WARNING
SWITCH POLARITY SENSITIVE
 If wired incorrectly with connector block, switch **will be** damaged and destroyed!

NOTE: Proper polarity in connector block requires leads to be crossed, as illustrated.

WIRING SPECIFICATIONS					
Wire No.	Wire Color	Origin or Part No.	Gauge	Length	Terminals, Connectors and End Wire Preparation
1	Green	*	20	2-1/4	* Component of the circuit board assembly.
2	Dark Blue	*	20	2-1/4	* Component of the circuit board assembly.
3	White/Blue	*	20	8-1/4	* Component of the circuit board assembly.
4	Red/White	*	20	6-1/2	* Component of the circuit board assembly.
5	Green/White	*	20	6-7/8	* Component of the circuit board assembly.
6	White	*	20	7-3/4	* Component of the circuit board assembly.
7	Purple	*	20	6-1/2	* Component of the circuit board assembly.
8	Light Blue	*	20	6-1/2	* Component of the circuit board assembly.
9	Yellow	*	20	4	* Component of the circuit board assembly.

BULK LEAD WIRE - BULLETIN 58-01-0003

NOTE:
 All lead lengths are before stripping.
 All leads must be held to ± .125" unless specified elsewhere.
 Strip wire per ES 13-11.
 Crimp terminals per ES 13-15.

TERMINAL DESCRIPTION		
Code	Part No.	Qty.