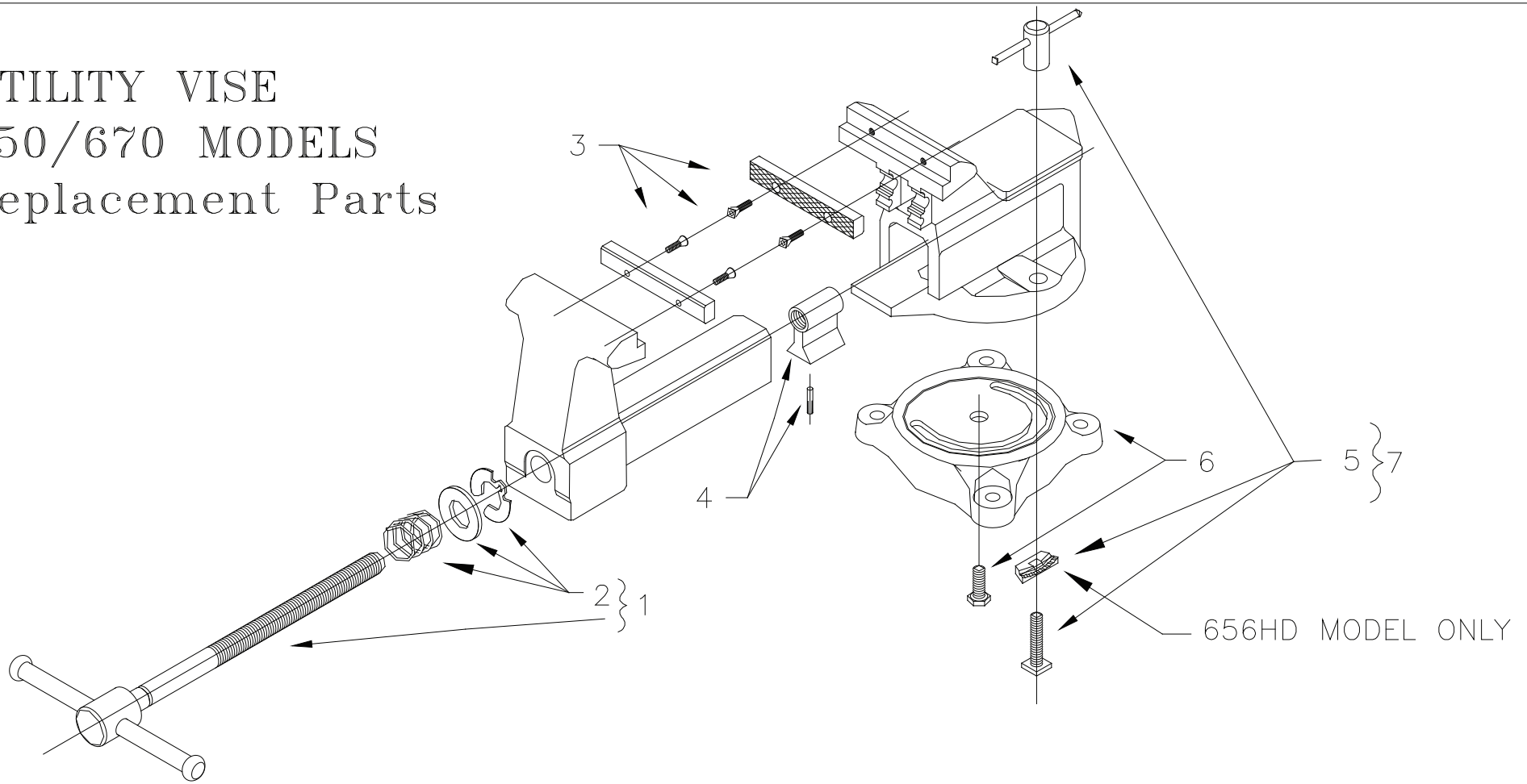


UTILITY VISE 650/670 MODELS Replacement Parts



WILTON MODEL NUMBER	WIDTH OF JAWS (ITEM #3)	ITEM #1 SPINDLE ASSEMBLY WITH (#2)	ITEM #2 SPINDLE RETAINER & WASHER	ITEM #3 SERRATED JAW INSERTS W/ SCREWS	ITEM #4 SPINDLE NUT WITH PIN SOME MODELS	ITEM #5 LOCK NUT AND BOLT ASSEMBLY	ITEM #6 OUTER RING W/ BOLT	ITEM #7 SWIVEL BASE ASSEMBLY, ITEMS (#5, & #6,)
653-1/2	3 1/2"	2900560	11103S25	NOT AVAIL.	11113S14	11103S51	2900670	2900710
654	4 1/2"	2900570	11104S25	76654S41	11114S14	11104S51	2900680	2900720
655	5 1/2"	2900580	11105S25	76655S41	11115S14	11104S51	2900690	2900730
656 HD *	6"	2900580	11105S25	76656S41	11115S14	11106S51	2900660	2900700
674 **	4 1/2"	2900560	11103S25	76654S41	11113S14	11103S51	2900670	2900710
675 ***	5 1/2"	2900570	11104S25	11127S41	11114S14	11104S51	2900680	2900720
676 ****	6 1/2"	2900580	11105S25	11128S41	11115S14	11104S51	2900690	2900730

* HD MEANS HEAVY DUTY.

** Model 674 replaced model 653-1/2, which replaced model 643-1/2.

*** Model 675 replaced model 654, which replaced model 644.

**** Model 676 replaced model 655, which replaced model 645.