



SERVICE PARTS LIST

BUL. 54-42-0700

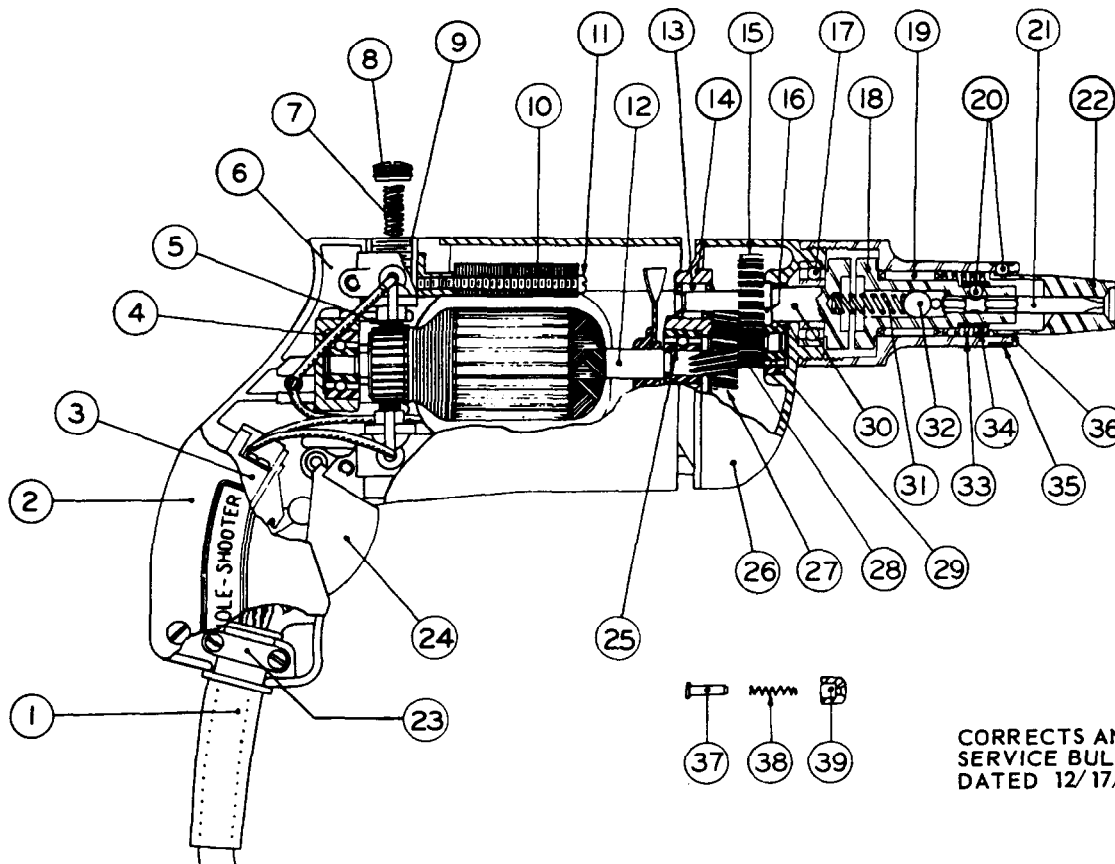
SCREWDRIVER

Catalog No. 6545

Starting Serial No. 317-1001

REVISED BUL. 6317-1 DATE Feb. '68
WIRING INSTR.

Both Model and Serial No. must be furnished to obtain correct parts.



CORRECTS AND SUPERSEDES SERVICE BULLETIN 6317-1 DATED 12/17/62

ILLUSTRATED PARTS

FIG.	PART NO.	DESCRIPTION OF PART	NO.REQ.	FIG.	PART NO.	DESCRIPTION OF PART
1	22-64-0310	Cord Set		21	Specify Size	Hexagonal Bits
2	28-20-3002	Handle Cover		22	Specify Size	Finder Sleeves
3	23-66-0280	Switch		23	28-17-0400	Cord Clamp
4	02-04-0740	Ball Bearing		★24	31-92-0101	Switch Trigger
5	22-18-0310	Carbon Brush Assemblies	(2)	25	02-04-0740	Ball Bearing
6	28-50-4449	Motor Housing		26	28-14-0361	Gear Case
7	23-52-0090	Brush Spring	(2)	27	32-40-1121	Intermediate Gear
8	23-44-0020	Brush Retaining Cap	(2)	28	36-66-0851	Intermediate Pinion Shaft
9	22-22-0200	Brush Holder Assembly	(2)	29	02-04-0640	Ball Bearing
10	18-20-1000	Field Assembly		30	38-50-2301	Spindle
11	06-81-5950	6-32x1-7/8 Fil. Hd. Field Screws	(2)	31	40-50-2000	Separating Spring
12	16-20-1000	Armature Assembly		32	02-02-0310	5/16 Dia. Ball
13	02-50-1640	Needle Bearing		33	40-50-1900	Finder Spring
14	28-28-0221	Diaphragm		34	40-50-1400	Bit Retaining Spring
15	32-75-1121	Spindle Gear		35	40-50-1800	Finder Retaining Spring
16	34-60-0600	Spindle Snap Ring		36	45-22-0100	Sleeve
17	02-04-1020	Ball Bearing		37	44-70-0071	Trigger Lock Shaft
18	42-66-0240	Chuck		38	40-50-1200	Trigger Lock Spring
19	02-50-3640	Needle Bearing		39	42-52-0061	Trigger Lock Button
20	02-02-0150	5/32 Dia. Bit and Finder Ret. Balls				

MISCELLANEOUS PARTS NOT SHOWN

PART NO.	DESCRIPTION OF PART	NO.REQ.	PART NO.	DESCRIPTION OF PART
02-50-1210	Needle Bearing		06-81-6650	8-32x1½ Fil. Hd. Gear Case Screws
06-81-6150	8-32x½ Fil. Hd. Handle Cover Screws	(3)	06-81-6300	8-32x7/8 Fil. Hd. Gear Case Screws
06-81-4300	3-48 x 3/16 Rd. Hd. Name Plate Screws		45-30-0060	Ball Bearing Retaining Slug
06-81-5800	6-32 x 5/16 Fil. Hd. Switch Mtg. Screw		06-42-0400	Woodruff Key
06-83-0100	10-32x¼ Hd'less Slotted Brush Holder Scr.	(2)	06-42-0800	Woodruff Key
06-81-6150	8-32 x ½ Fil. Hd. Cord Clamp Screws	(2)	12-98-0600	Name Plate
★23-16-0265	Switch Insulator		06-81-8625	6-32x¼ Brass Terminal Screw