



SERVICE PARTS LIST

BULLETIN NO.
54-42-0304

SPECIFY CATALOG NO. AND SERIAL NO. WHEN ORDERING PARTS		REVISED BULLETIN 54-42-0303	DATE Oct. '86
0-1000 R.P.M. REV. SCREWDRIVER		WIRING INSTRUCTION 58-01-0015	
CATALOG NO. 6543-1	STARTING SERIAL NO. 469-41000		

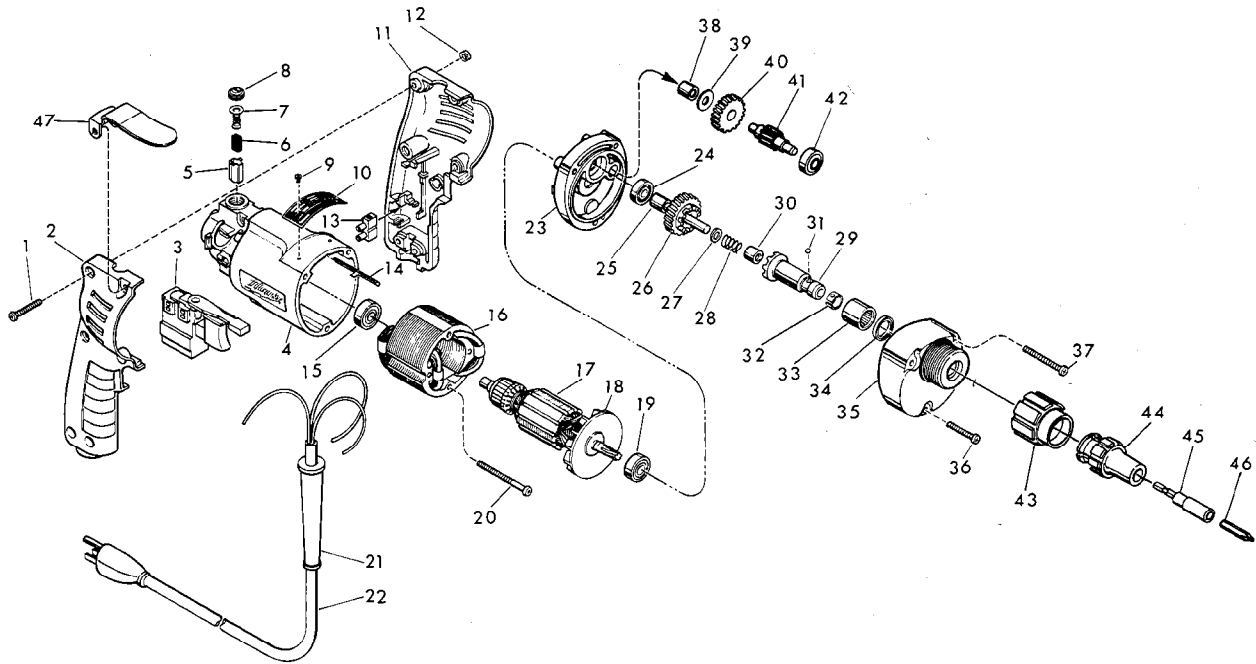


FIG. PART NO.	DESCRIPTION OF PART	NO. REQ.	FIG. PART NO.	DESCRIPTION OF PART	NO. REQ.
★ 1	06-81-0473	8-32 x 1" Pan Hd. Pozi Dr. Screw	(6)	★ 32	40-50-0510 Bit Retaining Spring (1)
★ 2	31-44-1130	Right Handle Half	(1)	★ 33	02-50-4220 Needle Roller Bearing (1)
★ 3	23-66-1245	Speed Control Switch	(1)	★ 34	45-06-0106 Oil Seal (1)
★ 4	31-50-0345	Motor Housing	(1)	★ 35	14-30-0600 Gear Case Assembly (1)
★ 5	22-20-0530	Brush Tube	(2)	★ 36	06-95-0175 7-18 x 1-1/2" Pan Hd. Plastite Screw (1)
★ 6	22-16-0275	Carbon Brush	(2)	★ 37	06-95-0155 7-18 x 2-1/2" Pan Hd. Pozi Dr. Screw (2)
★ 7	23-52-0210	Brush Spring Assembly	(2)	★ 38	02-50-2410 Needle Bearing (1)
★ 8	23-44-0120	Brush Retaining Screw	(2)	★ 39	45-88-7990 Thrust Washer (1)
9	06-85-0200	Nameplate Screw	(2)	★ 40	32-40-1613 Intermediate Gear (1)
★ 10	12-99-0445	Nameplate Blank	(1)	★ 41	36-66-4096 Intermediate Pinion Shaft (1)
★ 11	31-44-1140	Left Handle Half	(1)	★ 42	02-04-0640 Ball Bearing (1)
★ 12	06-55-0835	8-32 Hex Nut	(6)	43	48-32-1000 Bit Housing (1)
★ 13	22-56-0455	Terminal Block	(1)	44	48-32-0250 Locator Assembly (1)
★ 14	44-60-0530	Ground Pin	(1)	48-32-0608	Long Bit Guide-Not Shown (Refer to Catalog) (1)
★ 15	02-04-0645	Ball Bearing	(1)	48-32-1012	Long Bit Guide-Not Shown (Refer to Catalog) (1)
★ 16	18-10-0130	120V Field	(1)	45	48-32-3050 Bit Holder - Non Magnetic (1)
★ 17	16-10-0545	120V Armature (Includes Fig. No. 18)	(1)	48-30-2600	Bit & Finder Combination - Not Shown (1)
18	22-84-0440	Fan Assembly	(1)		(Refer to Catalog)
★ 19	02-04-0848	Ball Bearing	(1)	48-30-2650	Bit & Finder Combination - Not Shown (1)
★ 20	06-95-0180	7-18 x 2" Pan Hd. Plastite Screw	(2)		(Refer to Catalog)
★ 21	44-76-0130	Cord Protector	(1)	46	48-32-1050 #2 Insert Bit (1)
★ 22	22-64-1120	Cord Set	(1)	★ 47	48-67-0101 Belt Clip (1)
★ 23	28-28-1800	Diaphragm	(1)		
★ 24	02-04-0645	Ball Bearing	(1)		
★ 25	45-36-1280	Spacer	(1)		
★ 26	32-10-4050	Clutch Gear Assembly	(1)		
★ 27	45-88-0712	Thrust Washer	(1)		
★ 28	40-50-6600	Separator Spring	(1)		
★ 29	42-66-0766	Clutch Chuck Assy. (Incl. Fig. Nos. 30 Thru 32)	(1)		
★ 30	02-50-2400	Needle Bearing	(1)		
★ 31	02-02-0130	Steel Ball	(1)		

NOTES:

Screws Fig. No. 1, Fig. No. 20 & Fig. Nos. 36 & 37 Should Be Torqued To 15-20 Lbs.

LUBRICATION

Use 1-1/2 Oz. Of Type "E" Grease In Gear Case