



SERVICE PARTS LIST

BUL.54-42-0552

SCREWDRIVER

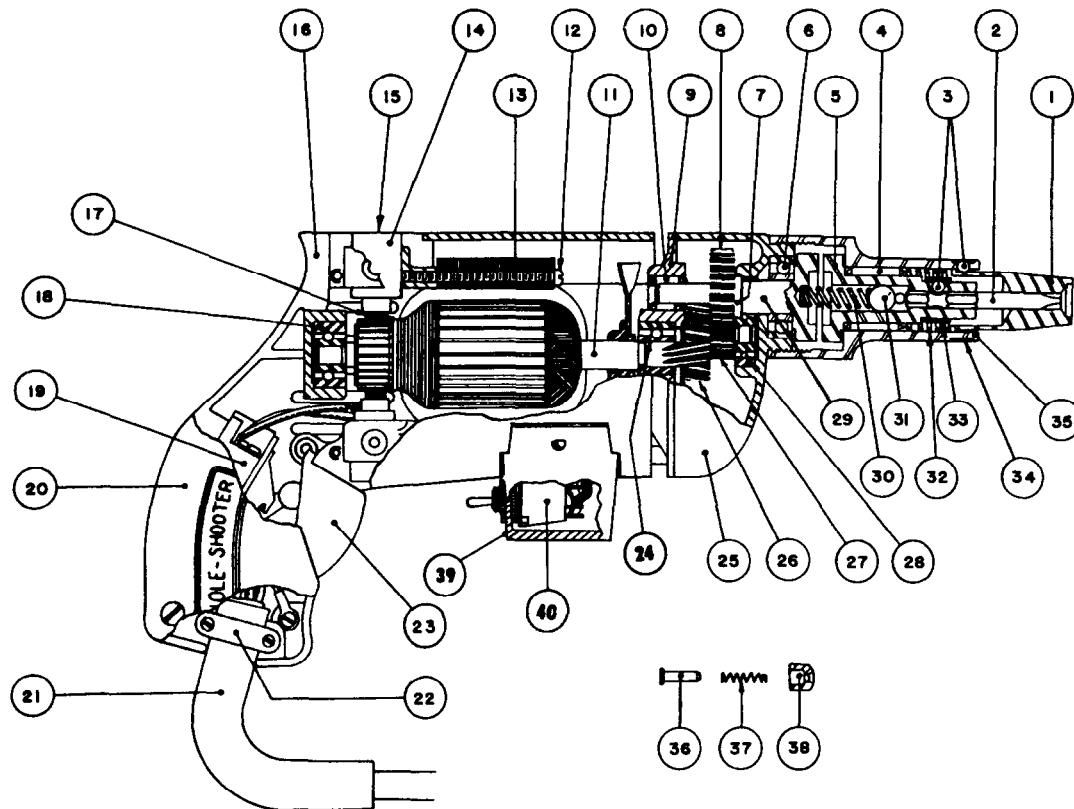
REVISED BUL 6127-3 DATE April '68

Catalog No. 6540-1

Starting Serial No. **127-2371**

WIRING INSTR. **58-01-0080**

Both Model and Serial No. must be furnished to obtain correct parts.



ILLUSTRATED PARTS

FIG.	PART NO.	DESCRIPTION OF PART	FIG.	PART NO.	DESCRIPTION OF PART
1		Finder Sleeves	21	22-64-0170	Cord Set
2		Hexagonal Bits	22	28-17-0400	Cord Clamp
3	02-02-0150	5/32" Dia. Bit & Finder Retaining Ball (2)	23	28-92-0101	Switch Trigger
4	02-50-3640	Needle Bearing	24	02-04-0740	Ball Bearing (Pinion End)
5	42-66-0240	Chuck	25	28-14-0361	Gear Case
6	02-04-1020	Ball Bearing	26	32-40-1121	Intermediate Shaft
7	34-60-0600	Spindle Snap Ring	27	36-66-0851	Intermediate Pinion Shaft
8	32-75-1121	Spindle Gear	28	02-04-0640	Ball Bearing
9	28-28-0221	Diaphragm	29	38-50-2301	Spindle
10	02-50-1640	Needle Bearing	30	40-50-2000	Separating Spring
*11	16-22-1241	Armature	31	02-02-0310	5/16 Dia. Ball
12	06-81-5950	6-32x1-7/8" Fil.Hd.Sem Field Screws (2)	32	40-50-1900	Finder Spring
*13	18-22-1121	Field Assembly	33	40-50-1400	Bit Retaining Spring
14	22-22-0050	Brush Holder Assembly (2)	34	40-50-1800	Finder Retaining Spring
15	23-44-0020	Brush Retaining Cap (2)	35	45-22-0100	Sleeve
*16	28-50-4523	Motor Housing	36	44-70-0071	Trigger Lock Plunger
17	22-18-0090	Carbon Brush Assembly	37	40-50-1200	Trigger Lock Spring
18	02-04-0740	Ball Bearing	38	42-42-0061	Trigger Lock Button
19	23-66-0280	Switch	39	28-50-7041	Reversing Switch Housing
*20	28-20-3002	Handle Cover	40	23-66-0220	Reversing Switch

MISCELLANEOUS PARTS NOT SHOWN

PART NO.	DESCRIPTION OF PART	PART NO.	DESCRIPTION OF PART
02-50-1210	Needle Bearing	*06-81-6300	8-32x7/8" Fil.Hd. Gear Case Sem (2)
06-81-5800	6-32x5/16" Fil.Hd.Sem Switch Mtg. Screw (3)	06-81-6550	8-32x1-1/2" Fil.Hd.Sem Gear Case Scs. (2)
*23-16-0265	Switch Insulator	06-81-4300	3-48x3/16" Rd.Hd. Name Plate Screw (2)
06-83-0100	10-32x1/4" Hd'less Slotted Brush Holder Scs.(2)	*12-98-0600	Name Plate
06-81-6150	8-32x1/2" Fil.Hd.Sem Cord Clamp Screws (2)	06-42-0400	Woodruff Key
06-81-8625	6.32x1/4"(Brass) Rd.Hd.Ground Sc. Sem	06-42-0800	Woodruff Key
48-03-0010	Attachment Plug Adaptor	42-14-0060	Baffle
*23-48-7327	Insulating Tubing	*06-97-1800	Lock Washer (4)
*22-75-0055	Switch Dial	*06-81-6150	8-32x1/2" Fil.Hd. Handle Cover Sem (3)
*45-30-0060	Ball Bearing Retaining Slug		