



SERVICE PARTS LIST

BUL. 54-40-4302

12 VOLT SAWZALL

REVISED BUL 54-40-4301 DATE Sept. 71

Catalog No. 6535

Starting Serial No. **305-2096**

WIRING INSTR. **58-01-0140**

Both Model and Serial No. must be furnished to obtain correct parts.

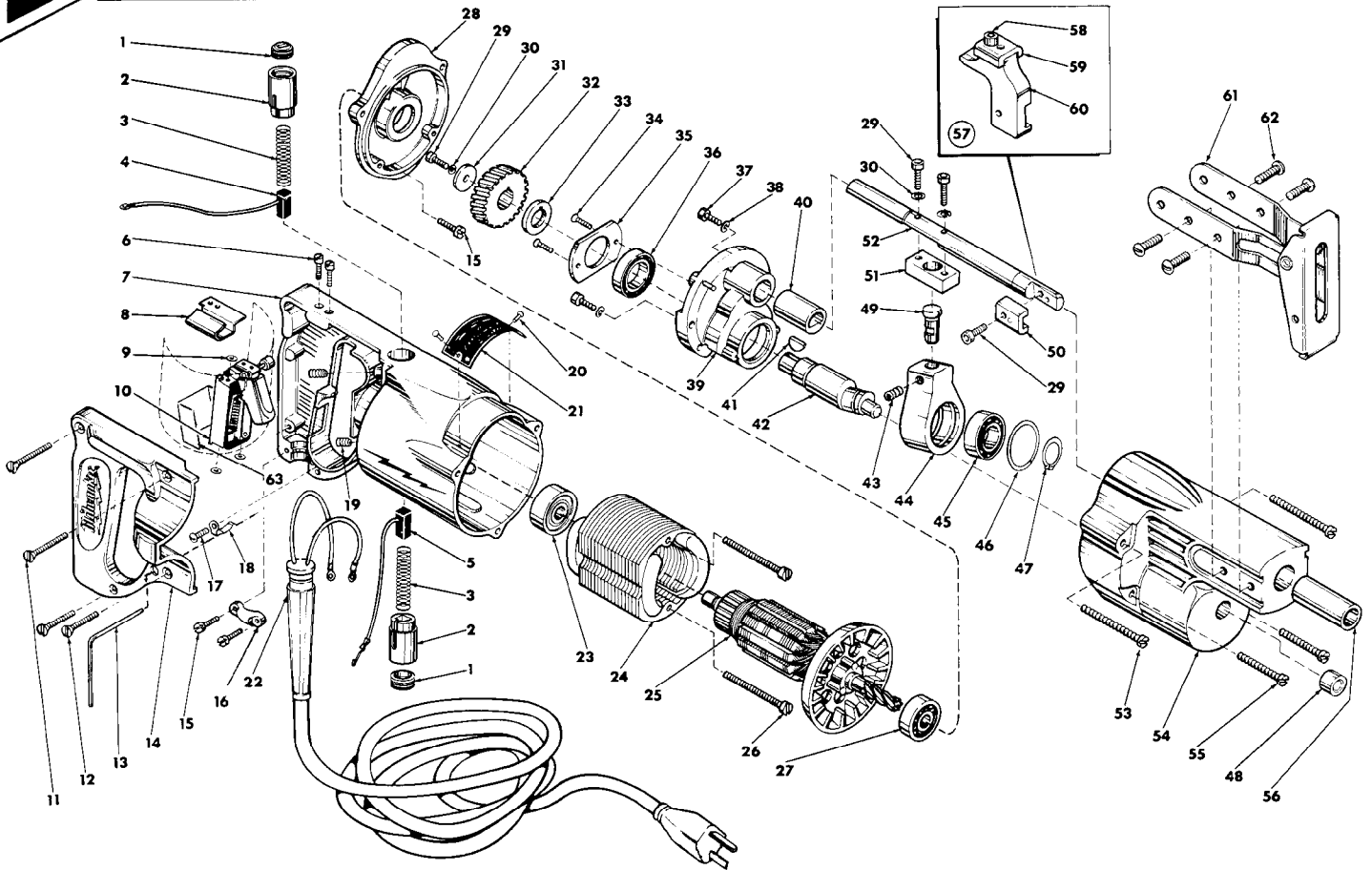


FIG.	PART NO.	DESCRIPTION OF PART	NO.REQ.	FIG.	PART NO.	DESCRIPTION OF PART	NO.REQ.
1	23-44-0020	Brush Retaining Screw	(2)	33	45-36-0121	Gear Spacer	
2	22-22-0170	Brush Holder	(2)	34	06-81-2500	6-32x3/8 Flat Hd. Screw	(2)
3	23-52-0090	Carbon Brush Spring	(2)	35	44-86-0090	Bearing Retainer	
4	22-18-0280	Carbon Brush		36	02-04-1510	Ball Bearing	
5	22-18-0290	Carbon Brush		37	06-81-0900	8-32x7/16 Fil.Hd. Screw	(2)
6	06-81-5800	6-32x5/16 Fil.Hd. Sem	(2)	38	06-97-3200	Lock Washer	(2)
7	28-50-4487	Motor Housing (Includes Fig. Nos. 11, 12 and 14)		39	28-72-1001	Bearing Plate	
8	42-68-0225	Wire Baffle		40	42-24-0101	Spindle Bearing	
9	06-97-1800	Lockwasher	(4)	41	06-42-1200	Woodruff Key	
10	23-66-0230	Switch		42	36-92-0601	Wobble Shaft	
11	06-81-3750	8-32x1 Oval Hd. Screw	(2)	43	06-83-2645	1/4-20x3/8 Hdls. Set Screw	
12	06-81-3700	8-32x7/8 Oval Hd. Screw	(2)	44	28-72-9001	Wobble Plate	
13	49-96-0070	Socket Screw Wrench		45	02-04-1510	Ball Bearing	
14	28-20-3602	Handle Cover		46	34-80-2300	Retaining Ring	
15	06-81-6150	8-32x1/2 Fil.Hd. Sem	(3)	47	34-60-1200	Retaining Ring	
16	28-17-0400	Clamp Strap		48	02-50-1640	Needle Bearing	
17	06-81-8650	6-32x1/4 Rd.Hd. Sem		49	45-58-0050	Ball End Stud	
18	42-70-0050	Spring Clip		50	42-68-0073	Blade Clamp	
19	06-83-2650	1/4-20x3/8 Knrl. Set Screw	(2)	51	42-28-0050	Spindle Block	
20	06-77-0625	6x1/4 Rd. Driv-In Screw	(2)	52	38-50-2002	Spindle	
21	12-98-3000	Nameplate		53	06-81-6650	8-32x1-3/4 Fil.Hd. Sem	(2)
22	22-64-0310	Cord Set		54	28-14-0571	Gear Case	
23	02-04-0970	Ball Bearing		55	06-81-6500	8-32x1-3/8 Fil.Hd. Sem	(2)
24	18-40-1000	12 Volt Field		56	42-24-0091	Spindle Bearing	
25	16-40-1010	12 Volt Armature		57	48-03-2000	Offset Blade Adapter Assy. (Includes Fig. Nos. 58, 59 and 60)	
26	06-81-6600	8-32x1-3/4 Fil.Hd. Sem	(2)	58	06-75-2400	10-32x1/2 Skt. Hd. Screw	
27	02-04-0940	Ball Bearing		59	42-68-0073	Blade Clamp	
28	28-28-0341	Diaphragm		60	28-02-0051	Offset Blade Adapter	
29	06-75-2400	10-32x1/2 Skt. Hd. Screw	(4)	61	45-16-0055	Pivot Shoe Assembly	
30	06-97-3400	Lock Washer	(3)	62	06-81-9525	10-24x1/2 Truss Head Sem	(4)
31	45-88-0180	Retaining Washer		63	23-16-0050	Switch Insulator	
32	32-40-1101	Intermediate Gear					