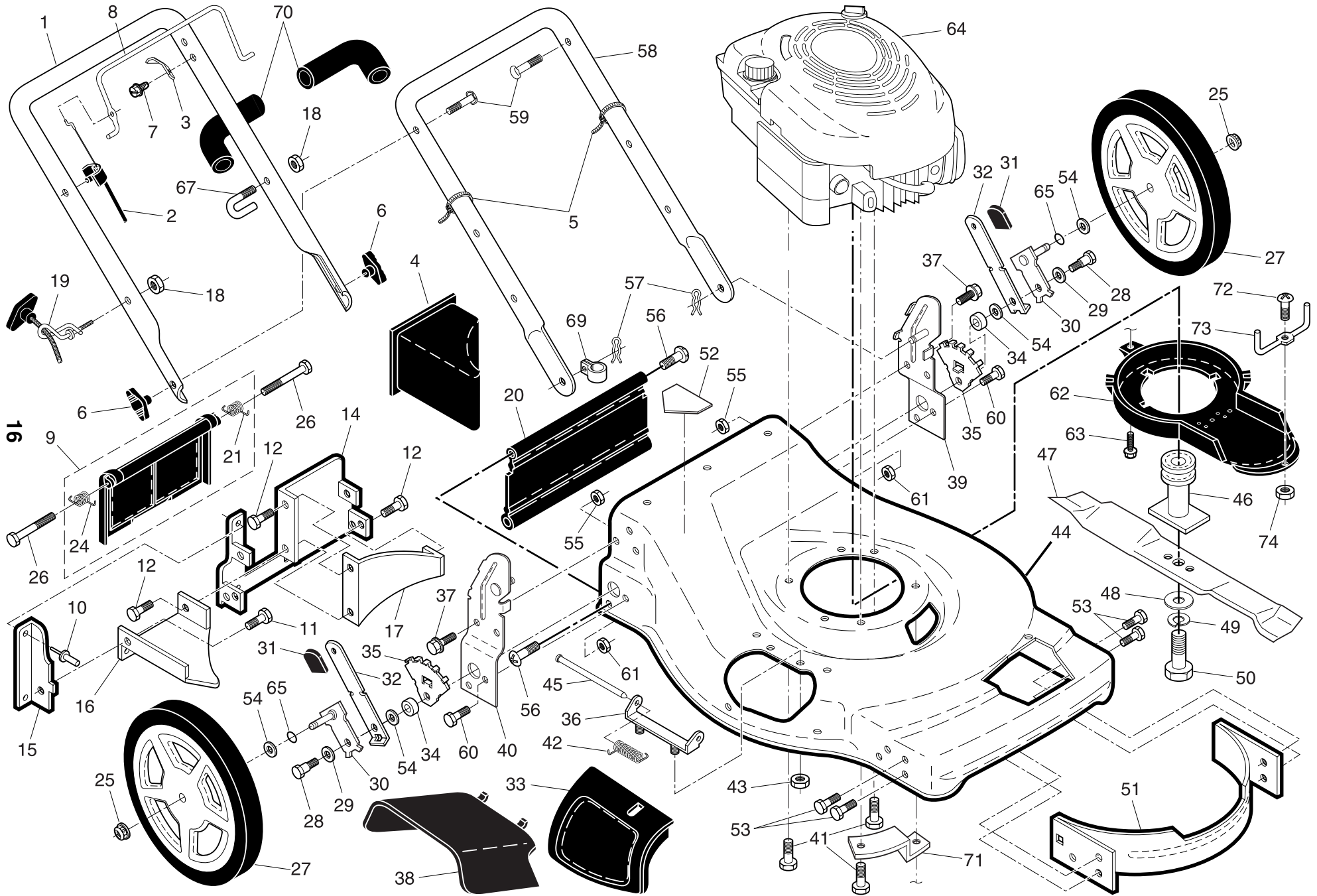


ROTARY LAWN MOWER - - MODEL NUMBER 6522SH (9614300903) - PRODUCT NUMBER 961 43 00-09



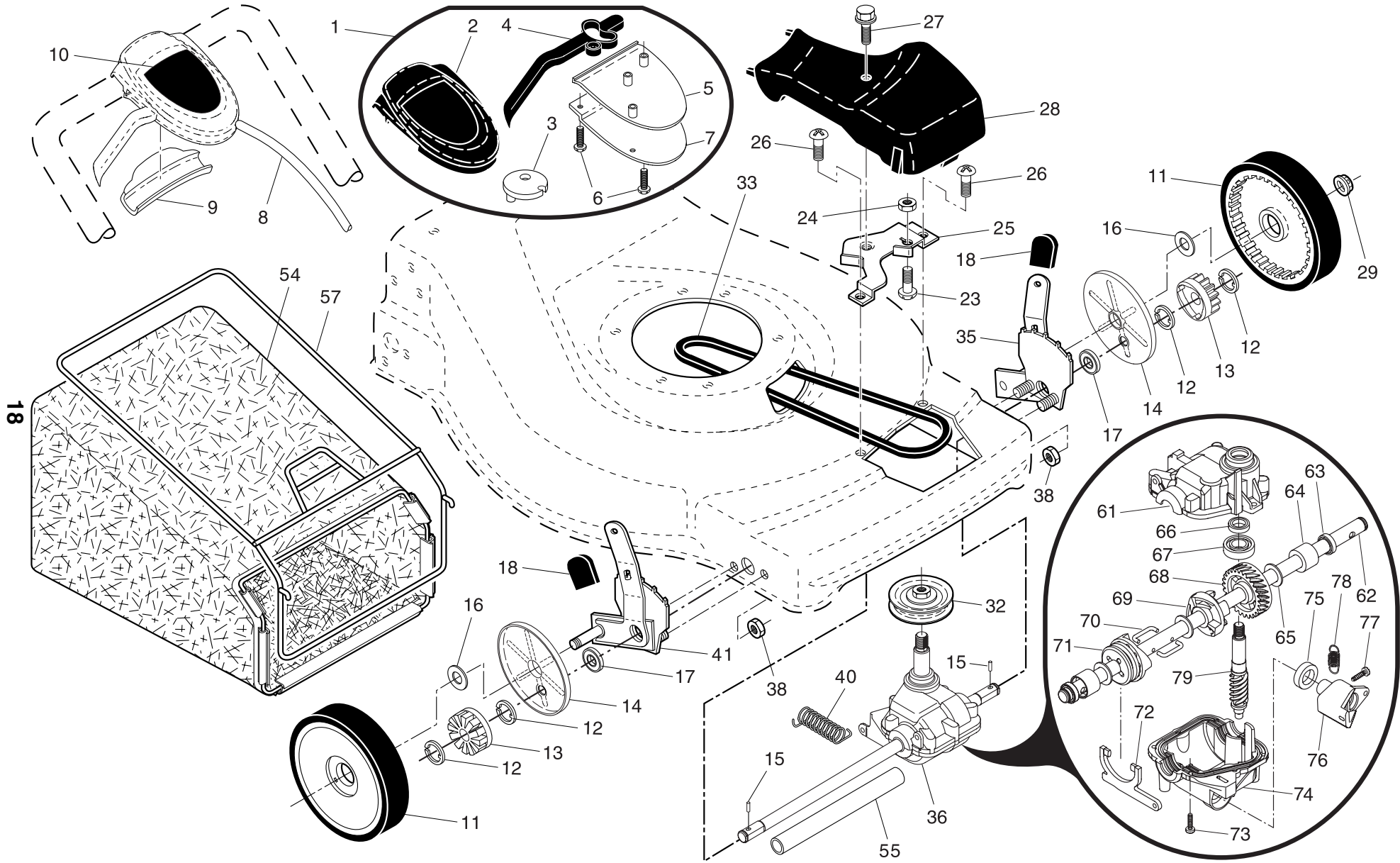
ROTARY LAWN MOWER - - MODEL NUMBER **6522SH** (96143000903) - PRODUCT NUMBER 961 43 00-09

KEY NO.	PART NO.	DESCRIPTION	KEY NO.	PART NO.	DESCRIPTION
1	532 19 64-03	Upper Handle (Includes Foam Grip)	41	532 15 04-06	Bolt Eng.
2	532 18 35-67	Engine Zone Control Cable	42	532 19 30-00	Spring, Torsion
3	532 12 51-62	Bracket, Upstop	43	873 80 04-00	Nut, Hex, Nylock
4	532 16 66-49	Mulcher Plug	44	532 19 63-98	Kit, Lawn Mower Housing (Includes Key Numbers 14, 15 and 51)
5	532 06 64-26	Wire Tie			
6	532 19 18-56	Handle Knob	45	532 17 56-50	Rod, Hinge
7	532 75 06-34	Screw	46	532 19 40-37	Blade Adapter / Pulley
8	532 19 70-19	Control Bar	47	532 14 11-14	Blade, 22"
9	532 19 36-79	Rear Door Assembly (Includes Springs)	48	532 85 10-74	Washer, Hardened
10	532 12 84-15	Pop Rivet	49	532 85 02-63	Washer, Helical
11	532 15 00-50	Screw, Self-Tapping #10-24 x 5/8	50	532 85 10-84	Screw, Machine, Hex Head 3/8
12	532 05 45-83	Screw, Hex Hex Head, Sems 1/4-20 x 1/2	51	532 17 00-31	Front Baffle
14	532 19 70-76	Back Plate	52	532 10 73-39	Danger Decal
15	532 13 88-60	Side Baffle	53	817 60 04-06	Screw
16	532 17 71-33	Discharge Baffle	54	532 08 83-48	Washer
17	532 14 89-41	Rear Baffle	55	532 75 15-92	Locknut, Hex 3/8-16
18	532 13 20-04	Keps Locknut 1/4-20	56	532 08 86-52	Screw, Hinge 1/4-20 x 1-1/4
19	532 19 47-88	Rope Guide	57	532 05 17-93	Hairpin Cotter
20	532 18 90-08	Rear Skirt	58	532 15 34-06	Lower Handle
21	532 17 09-38	Spring, Rear Door, LH	59	532 19 15-74	Handle Bolt
24	532 17 09-39	Spring, Rear Door, RH	60	874 76 06-12	Bolt
25	532 14 52-12	Nut, Hex, Flanged	61	532 75 15-92	Nut
26	532 18 41-93	Bolt, Rear Door	62	532 19 93-14	Debris Shield
27	532 40 29-48	Wheel, Rear	63	532 19 23-25	Screw, Debris Shield
28	532 14 27-48	Bolt, Shoulder 3/8-16 x 1	64	- - -	Engine, Briggs & Stratton, Model Number 123K02 (Order parts from Engine manufacturer)
29	532 06 16-51	Washer, Belleville			
30	532 19 60-21	Axle Arm Assembly	65	532 19 74-80	O-Ring
31	532 19 06-22	Selector Knob	67	532 40 16-07	Clip, Packaging
32	532 19 84-56	Selector Spring	69	532 19 79-91	Clip, Cable
33	532 19 70-29	Mulcher Door	70	532 18 27-48	Foam Grip
34	532 14 66-30	Spacer	71	532 19 09-39	Mounting Bracket, Debris Shield
35	532 15 50-47	Wheel Adjusting Bracket	72	532 18 22-27	Screw
36	532 17 57-35	Hinge Bracket Assembly	73	532 19 71-62	Belt Keeper
37	532 15 00-78	Screw, Sems, Thread Cutting 5/16-18 x 3/4	74	532 18 22 28	Nut, Hex
38	532 40 38-19	Discharge Deflector	--	532 16 23-00	Warning Decal (not shown)
39	532 19 71-50	Handle Bracket Assembly, LH	--	532 40 39-05	Owner's Manual, English/French
40	532 19 71-51	Handle Bracket Assembly, RH			

NOTE: All component dimensions given in U.S. inches. 1 inch = 25.4 mm

IMPORTANT: Use only Original Equipment Manufacturer (O.E.M.) replacement parts. Failure to do so could be hazardous, damage your lawn mower and void your warranty.

ROTARY LAWN MOWER - - MODEL NUMBER 6522SH (9614300903) - PRODUCT NUMBER 961 43 00-09



ROTARY LAWN MOWER - - MODEL NUMBER **6522SH** (96143000903) - PRODUCT NUMBER 961 43 00-09

KEY NO.	PART NO.	DESCRIPTION	KEY NO.	PART NO.	DESCRIPTION
1	532 19 71-94	Drive Control Assembly (Includes Cable)	36	532 19 16-36	Gear Case Assembly, Complete
2	532 19 57-61	Cover, Drive Control, Top	38	873 80 04-00	Locknut, Hex 1/4-20
3	532 18 73-53	Pulley	40	532 19 28-49	Spring
4	532 19 00-39	Lever, Drive Control	41	532 19 51-07	Kit, Wheel Adjuster, RH (Includes Knob and Bearing)
5	532 19 57-62	Cover, Drive Control, Bottom	54	532 40 11-89	Grassbag Assembly
6	532 18 16-98	Screw, Torx Head #8 x 5/8	55	532 08 60-12	Driveshaft Cover
7	532 40 07-23	Mounting Bracket, Drive Control	57	532 18 96-80	Frame, Grassbag
8	532 19 71-95	Cable, Drive Control	61	532 19 68-86 *	Case, Upper
9	532 18 62-97	Cap, Drive Control, Bottom	62	532 19 70-57	Shaft, Output
10	532 18 90-74	Decal, Drive Control	63	532 18 35-08	Seal, Output Shaft
11	532 40 05-43	Wheel & Tire Assembly	64	532 18 35-11	Bushing
12	812 00 00-58	E-Ring	65	532 18 35-09	Washer
13	532 75 00-03	Gear, Pinion	66	532 18 35-14	Seal, Worm Shaft
14	532 18 94-03	Dust Cover	67	532 18 35-06	Bearing, Ball
15	532 19 10-17	Drive Pawl	68	532 18 34-99	Gear, 27 Teeth
16	532 06 77-25	Washer, Flat 3/8	69	532 19 68-84	Fixed Dog Clutch
17	532 19 10-39	Bearing, Wheel Adjuster	70	532 18 35-05	Wireform
18	532 19 64-01	Selector Knob	71	532 19 68-83	Movable Dog Clutch
23	532 08 86-52	Screw	72	532 19 68-82	Fork
24	532 19 17-30	Nut, Hex	73	532 18 35-13	Screw, Case
25	532 19 73-86	Belt Guide Bracket	74	532 19 68-81 *	Case, Lower
26	532 19 23-25	Screw	75	532 19 68-80	Seal, Lever
27	532 17 52-62	Pan Head Tapping Screw #10-24 x 2-3/4	76	532 19 68-79	Lever
28	532 19 73-70	Drive Cover	77	532 19 68-78	Screw, Lever
29	532 08 39-23	Locknut, Hex	78	532 19 68-77	Spring
32	532 19 40-18	Drive Pulley	79	532 18 35-02	Shaft, Worm
33	532 19 68-57	V-Belt			
35	532 19 51-10	Kit, Wheel Adjuster, LH (Includes Knob and Bearing)			

* Use Dow Corning #709 to reseal Gear Case Halves.

NOTE: All component dimensions given in U.S. inches. 1 inch = 25.4 mm

IMPORTANT: Use only Original Equipment Manufacturer (O.E.M.) replacement parts. Failure to do so could be hazardous, damage your lawn mower and void your warranty.