



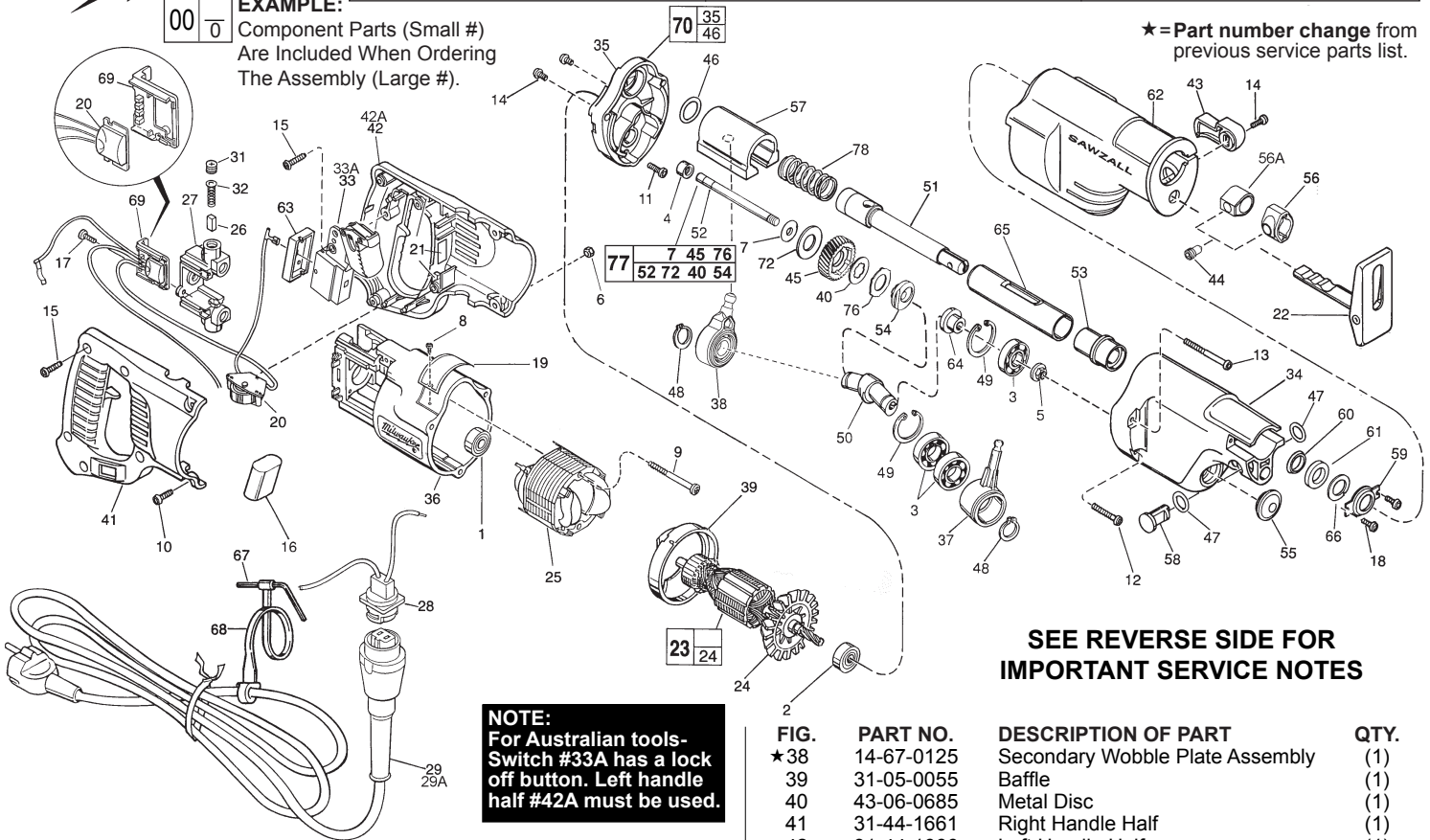
# SERVICE PARTS LIST

**BULLETIN NO.**  
**55-40-5064**

SPECIFY CATALOG NO. AND SERIAL NO. WHEN ORDERING PARTS		REVISED BULLETIN 55-40-5063	DATE April 2005
<b>SUPER SAWZALL®</b>			
CATALOG NO. <b>6522-51</b>	STARTING SERIAL NUMBER <b>775L</b>	WIRING INSTRUCTION <b>58-03-1701</b>	

**EXAMPLE:**  
00 0 Component Parts (Small #)  
Are Included When Ordering  
The Assembly (Large #).

★ = Part number change from previous service parts list.



**SEE REVERSE SIDE FOR  
IMPORTANT SERVICE NOTES**

**NOTE:**  
For Australian tools-  
Switch #33A has a lock  
off button. Left handle  
half #42A must be used.

FIG.	PART NO.	DESCRIPTION OF PART	QTY.
1	02-04-0845	Ball Bearing	(1)
2	02-04-0911	Ball Bearing	(1)
★ 3	02-04-1510	Ball Bearing	(3)
4	02-50-2150	Needle Bearing	(1)
5	06-55-3790	Spinlock Hex Nut 5/16-24	(1)
6	06-55-0835	8-32 Hex Nut	(2)
7	45-88-1555	Washer	(1)
8	06-72-1720	Nameplate Rivet	(2)
9	06-82-7410	8-16 x 1-7/8" Pan Hd. Slit. Plastite T-20	(2)
10	06-82-2390	8-32 x 1-1/4" Pan Hd. Slit. T-20	(2)
11	05-88-8307	Pan Hd. PT T-20	(1)
12	06-82-5390	8-32 x 1-1/4" Pan Hd. Slit. Tapt. T-20	(2)
★ 13	05-88-0302	K50 x 60mm Washer Hd. PT T-20	(2)
14	06-82-7252	8-32 x 3/8" Pan Hd. Slit. Tapt. T-20	(3)
15	06-82-7270	8-16 x 5/8" Pan Hd. Slit. Plas. T-20	(6)
16	14-20-0580	Suppressor Assembly	(1)
17	06-82-7240	6-19 x 1/2" Pan Hd. Plastite T-15	(2)
18	06-95-0075	6-32 x 3/8" Truss Hd. Taptite T-10	(2)
19	12-99-2080	Service Nameplate	(1)
20	14-20-3030	Remote Dial Assembly	(1)
21	14-46-1001	Foam Slug Kit - 10 Slugs	(3)
22	14-74-0270	Shoe Assembly	(1)
23	16-34-1451	230 V. Armature	(1)
24	22-84-0531	Fan Assembly	(1)
25	18-32-0240	230 V. Field	(1)
26	22-16-0375	Carbon Brush	(2)
27	22-22-1380	Brush Holder Assembly	(1)
28	22-56-0692	Blade Housing Assembly	(1)
29	48-76-5012	Quik-Lok Cord Set	(1)
29A	22-64-0684	Quik-Lok Cord Set-Australia	(1)
31	23-44-0190	Brush Retaining Cap	(2)
32	23-52-0160	Brush Spring	(2)
★ 33	23-66-1979	Switch	(1)
33A	23-66-1978	Switch-Australia (See Note Above)	(1)
34	28-14-2176	Gear Case	(1)
35	28-28-1876	Diaphragm	(1)
36	31-50-0020	Motor Housing	(1)
37	30-72-0085	Primary Wobble Plate	(1)
★ 38	14-67-0125	Secondary Wobble Plate Assembly	(1)
39	31-05-0055	Baffle	(1)
40	43-06-0685	Metal Disc	(1)
41	31-44-1661	Right Handle Half	(1)
42	31-44-1666	Left Handle Half	(1)
42A	31-44-1670	Left Handle Half-Australia (See Note Above)	(1)
43	31-52-0010	Shoe Release Lever	(1)
44	06-83-2976	Blade Clamp Screw	(1)
45	32-40-2095	Gear	(1)
46	34-40-1280	O-Ring	(1)
47	34-40-4200	O-Ring	(2)
48	34-60-1315	Ext. Retaining Ring	(2)
★ 49	34-80-2600	Internal Retaining Ring	(2)
50	36-92-0701	Wobble Shaft	(1)
51	38-50-5835	Reciprocating Spindle	(1)
52	42-12-0150	Axle - Wobble Shaft	(1)
53	42-24-0430	Spindle Bearing	(1)
54	43-78-0525	Drive Hub	(1)
55	42-52-0380	Bearing Cap	(1)
56	42-68-0685	Blade Clamp (20mm)	(1)
56A	42-68-0682	Blade Clamp (1/2")	(1)
57	42-87-0090	Counter Balance	(1)
58	44-60-1200	Lock Pin	(1)
59	44-86-0375	Seal Retainer	(1)
60	45-06-0475	Polypak Seal	(1)
61	45-06-0501	Felt Seal	(1)
62	45-12-0462	Gear Case Insulator	(1)
63	45-12-0470	Dust Shield	(1)
64	45-36-1450	Spacer	(1)
65	45-76-0320	Tube Chassis	(1)
66	45-88-8577	Washer	(1)
67	49-96-0070	5/32" Hex Key	(1)
68	48-66-4080	Key Holder	(1)
69	43-72-0176	Heat Sink Holder	(1)
70	28-28-2000	Diaphragm Assembly	(1)
72	40-50-8850	Disc Spring	(1)
★ 76	43-06-0676	Bronze Disc	(1)
77	32-40-2101	IPS Gear Assembly	(1)
78	40-50-0165	Compression Spring	(1)
	22-56-0400	Lead Splice Connector (Not Shown)	(1)

**FIG. 1** **NOTES:**  
1 Seal side faces commutator.

2 Seal side faces fan.

4 Press flush to diaphragm surface - Mechanism side.

40 Tabs engage drive hub.

76 Tabs engage gear.

72 Concave towards gear.

45, 52 See sketch for press specifications.

5 Apply thread locking compound to threads of spinlock hex nut. Torque to 145 in./lbs. to 185 in./lbs.

5, 45 Hold the gear still with a large pair of pliers and a piece of rubber hose (or other tough, but pliable material to protect the gear from the jaws of the pliers) and remove the 5/16" spinlock hex nut with a wrench, as shown.

50, 54 Make sure that the end of the wobble shaft fits into the offset (eccentric) recess, as shown.

34 Place 2-3/4 oz. of type "L" grease, No. 49-08-4175, in mechanism cavity of gear case.

35 Place 3/4 oz. of type "T" grease, No. 49-08-4290, in lower needle bearing-gear train cavity of diaphragm.

37, 49 Internal retaining ring side faces center hub of wobble shaft.

40, 45 Apply a thin coat of type "L" grease (Cat. No. 49-08-4175) between gear and metal disc.

46 Replace each time gear case mechanism is serviced. O-ring opening of diaphragm and rear of tube chassis must be free of all grease prior to o-ring installation.

49 Sharp side of retaining ring faces ball bearing.

60 O-ring of polypak seal faces mechanism - toward rear of tool.

61 Soak in lightweight lubricating oil prior to assembly.

63 Non-conductive insulation of wires must pass through rubber dust shield; Provides proper sealing of switch from contamination.

65 Assembled with large O.D. chamfered end facing diaphragm- can be slip or press fit on spindle bearing.

