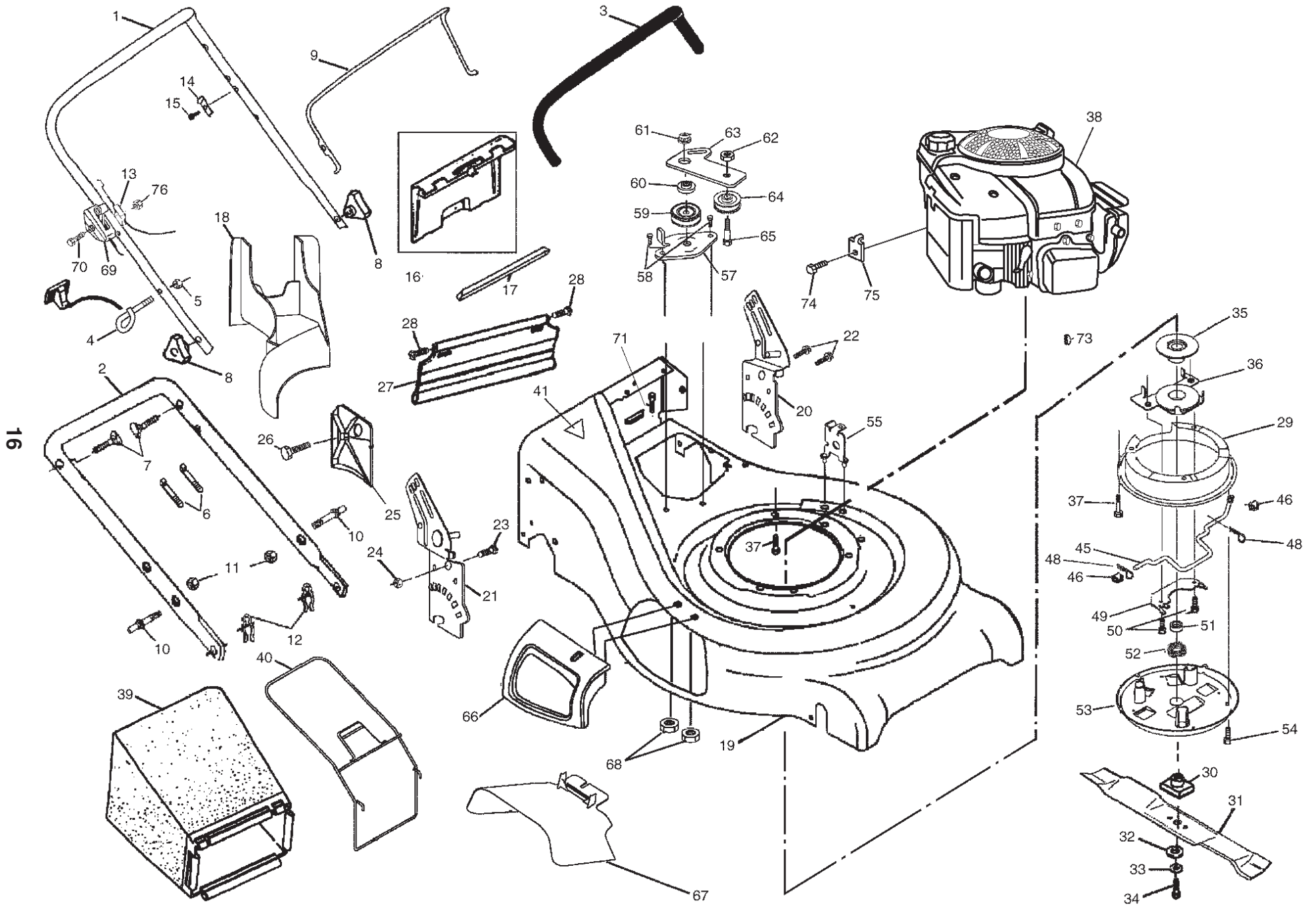


# ROTARY LAWN MOWER MODEL NUMBER 6521RS (6521RSB)



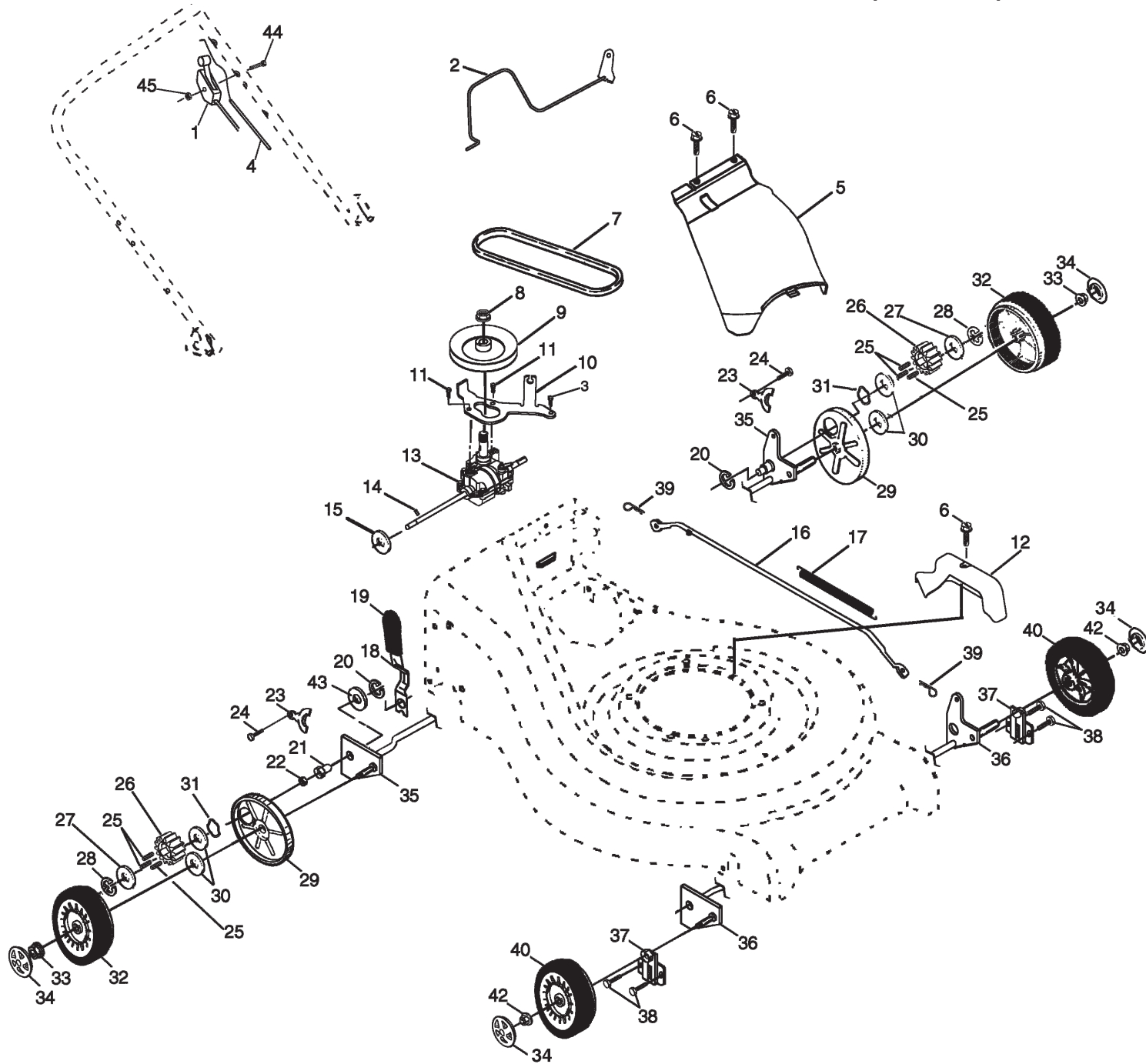
## ROTARY LAWN MOWER - - MODEL NUMBER 6521RS (6521RSB)

KEY NO.	PART NO.	DESCRIPTION
1	<b>532 16 71-63</b>	Handle, Upper Dlx Comf. (Including grip)
2	532 16 45-56	Handle, Lower
3	532 16 42-65	Grip, Hdl Foam Smooth
4	<b>532 17 95-85</b>	Guide, Rope, Side
5	532 06 36-01	Nut, Hex Lockwasher 1/4-20
6	532 06 64-26	Wire, Tie
7	532 13 19-59	Bolt, Handle 5/16-18 x 1.75
8	532 08 76-92	Knob, Handle
9	532 17 65-94	Bail, Cont. Wire Dlx Comf. Yel
10	532 16 15-51	Bolt, Sq. Neck
11	873 99 05-00	Nut, Hex Lockwasher Ins. 5/16-18 UNC
12	532 05 17-93	Cotter, Hairpin
13	532 13 31-07	Engine zonecontrol cable
14	532 12 51-62	Bracket, Upstop
15	532 08 38-16	Screw, Hex Washer Head Tapping 10-2
16	532 16 20-85	Kit, Door Rear
17	532 16 15-48	Seal, Door
18	532 16 52-61	Plug, Mulcher
19	532 17 65-99	Kit, Housing
20	532 16 45-48	Handle, Bracket Asm. Left
21	532 16 93-06	Handle, Bracket Asm. Right
22	532 15 00-78	Screw, Hex Wshd
23	532 16 31-83	Bolt, Hex Head 5/16-18 x 5/8
24	532 06 31-24	Nut, Hex Lock Wshr 5/16-18
25	532 16 13-33	Baffle, Side
26	532 16 34-09	Screw 12 x 5/8
27	532 16 15-50	Skirt
28	532 08 86-52	Screw, Hinge 1/4-20 x 1.25
29	532 17 76-52	Belt Cover, Top
30	532 85 15-14	Adapter, Blade w/key Longer
31	532 15 92-67	Blade, 21"
32	532 85 10-74	Washer, Hardened
33	532 85 02-63	Lockwasher, Helical Spring 3/8
34	532 85 10-84	Screw, Hex Head 3/8-24 x 1.38
35	532 16 98-09	Pulley, Fixed
36	532 17 00-45	Bearing Support Assy.
37	532 15 04-06	Bolt, Engine
38	- - -	Engine, B&S, Model Number 120602 (Order parts from engine manufacturer)

KEY NO.	PART NO.	DESCRIPTION
39	532 16 91-11	Grass Catcher Bag
40	532 16 13-58	Grass Catcher Frame
41	532 10 73-39	Danger Decal
45	532 16 60-34	Engagement Rod
46	532 16 60-41	Bushing
48	532 16 96-05	Retainer Clip
49	532 17 76-53	Clamp
50	532 05 45-83	Screw
51	532 16 99-80	Spacer
52	532 17 08-68	Wave Washer
53	532 17 30-41	Belt Cover, Bottom
54	532 75 00-97	Screw
55	532 17 76-51	Cable Support Bracket
57	532 17 76-56	Bracket Assy.
58	532 05 78-08	Screw
59	532 16 60-42	V-Groove Pulley
60	532 16 60-50	Idler Arm Spacer
61	532 14 52-12	Flange Nut
62	532 15 55-52	Locknut
63	532 17 76-55	Idler Arm
64	532 16 60-43	Idler Pulley
65	532 16 08-29	Shoulder Bolt
66	532 17 19-62	Door Assembly
67	532 16 60-28	Deflector, Door
68	532 08 83-49	Nut
69	532 16 82-46	Throttle Control
70	532 14 49-29	Screw
71	532 05 45-83	Screw
73	532 08 76-77	Hi Pro Key
74	532 08 38-16	Screw
75	532 11 11-90	Cable Clamp
76	<b>532 13 20-04</b>	Nut, Hex 1/4-20
--	532 16 23-00	Warning Decal (Not Shown)
--	532 18 02-99	Owner's Manual (English/French)

**NOTE:** All component dimensions given in U.S. inches.  
1 inch = 25.4 mm

# ROTARY LAWN MOWER MODEL NUMBER 6521RS (6521RSB)



## ROTARY LAWN MOWER - - MODEL NUMBER 6521RS (6521RSB)

KEY NO.	PART NO.	DESCRIPTION
1	532 17 09-60	Speed Control
2	532 17 65-93	Bail Control Drive
3	<b>532 05 45-83</b>	Screw
4	<b>532 17 90-49</b>	Drive Cable
5	532 16 15-37	Cover Drive
6	532 75 06-34	Screw Thdrol 10-25 x .50
7	532 16 60-60	V-Belt
8	532 13 20-10	Nut Lock Flanged 3/8-16 Zinc
9	532 16 60-49	Pulley Driven
10	532 17 76-54	Belt Keeper Bracket
11	817 54 10-11	Screw Hex Wash Head 10-24 X .668
12	532 16 61-89	Pivot Rod Cover
13	532 16 63-88	Transmission Asm.
14	532 14 53-54	Pin Spring Thrust
15	532 05 70-79	Washer Hardened
16	532 16 15-84	Rod Connecting
17	532 16 16-02	Spring Extension
18	532 16 45-54	Spring Selector
19	532 16 19-61	Knob Selector Spring
20	812 00 00-22	E-Ring 7/8
21	532 16 33-65	Bearing Support
22	532 16 99-11	Bearing Ball
23	532 16 45-55	Retainer Drive Asm. Stmp.

KEY NO.	PART NO.	DESCRIPTION
24	532 05 78-08	Screw Hex Head Tapping 1/4-20 x .75
25	532 17 00-11	Drive Pawl
26	532 16 64-50	Pinion, Drive
27	532 05 21-60	Washer
28	812 00 00-58	E-Ring 7/16
29	532 08 80-80	Cover, Dust Wheel
30	532 06 77-25	Washer 1/2 x 1-1/2 x .134
31	532 05 71-43	Wave Washer
32	532 17 65-92	Wheel 9 x 2
33	532 14 52-12	Nut Hex Flange Lock
34	532 07 74-00	Hubcap
35	532 16 45-52	Shaft Asm. Rear
36	532 16 45-50	Shaft Asm. Front
37	532 16 14-63	Retainer Front Shaft
38	532 16 34-09	Screw 12 x 5/8
39	532 70 02-79	Clip Retainer
40	532 14 84-35	Wheel 8 x 2
42	532 08 39-23	Nut, Hex Flange Lock 3/8-16
43	819 57 22-16	Washer
44	532 14 49-29	Screw 1/4 x 2.12
45	532 75 11-52	Locknut

**NOTE:** All component dimensions given in U.S. inches.  
1 inch = 25.4 mm