



SERVICE PARTS LIST

BUL. 54-40-4140

TWO SPEED DOUBLE INSULATED SAWZALL

REVISED BUL. DATE
Feb. '73

Catalog No. 6512

Starting Serial No. **483-1001**

WIRING INSTRUCTIONS
58-01-0235

Specify Catalog and Serial No. when ordering parts

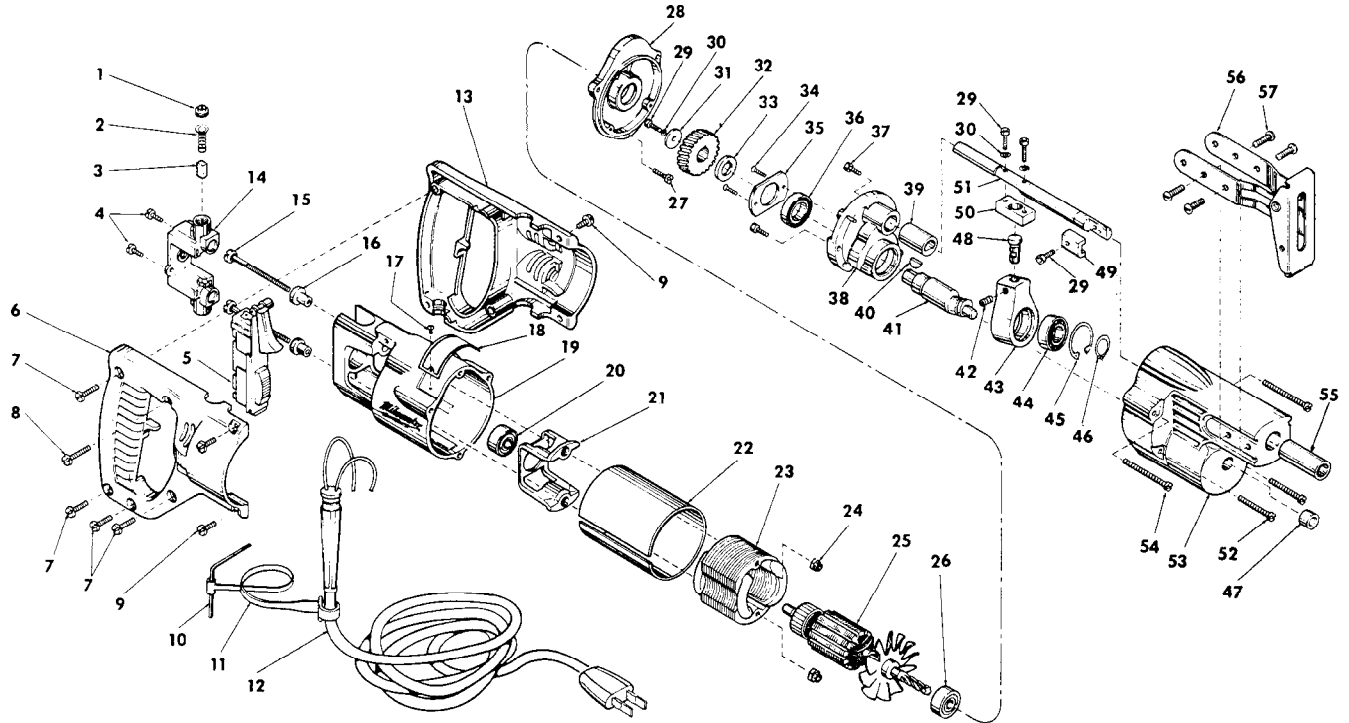


FIG.	PART NO.	DESCRIPTION OF PART	NO. REQ.	FIG.	PART NO.	DESCRIPTION OF PART	NO. REQ.
1	23-44-0120	Brush Retaining Screw	(2)	31	45-88-0180	Retaining Washer	(1)
2	23-52-0160	Brush Spring	(2)	32	32-40-1101	Intermediate Gear	(1)
3	22-16-0250	Carbon Brush	(2)	33	45-36-0121	Gear Spacer	(1)
4	06-81-5475	6-32x3/8 Binding Hd. Sem	(2)	34	06-81-2500	6-32x3/8 Flat Hd. Screw	(2)
5	23-66-0484	Switch	(1)	35	44-86-0090	Bearing Retainer	(1)
6	31-44-0320	R.H. Half D Handle	(1)	36	02-04-1510	Ball Bearing	(1)
7	06-81-0400	8-32x3/4 Pan Hd. Screw	(4)	37	06-81-6150	8-32x1/2 Fil. Hd. Sem	(2)
8	06-81-0470	8-32x1 Pan Hd. Screw	(1)	38	28-72-1001	Bearing Plate	(1)
9	06-81-0045	8-32x1/2 Pan Hd. Screw	(4)	39	42-24-0101	Spindle Bearing	(1)
10	49-96-0070	5/32 Socket Wrench	(1)	40	06-42-1200	Woodruff Key	(1)
11	48-66-4080	Key Holder	(1)	41	36-92-0601	Wobble Shaft	(1)
12	22-64-0625	Cord Set	(1)	42	06-83-2645	1/4-20x3/8 Hdls. Set Screw	(1)
13	31-44-0321	L.H. Half D Handle	(1)	43	28-72-9001	Wobble Plate (includes fig. no.42)	(1)
14	22-22-0300	Brush Holder Assembly	(1)	44	02-04-1510	Ball Bearing	(1)
15	06-81-1050	8-32x2-7/16 Field Bolt	(2)	45	34-80-2355	Retaining Ring	(1)
16	31-86-0120	Insulating Spacer	(2)	46	34-60-1200	Retaining Ring	(1)
17	06-85-0200	6x1/4 Rd. Hd. Type Z Screw	(2)	47	02-50-1640	Needle Bearing	(1)
18	12-99-0033	Nameplate	(1)	48	45-58-0050	Ball End Stud	(1)
19	28-50-6142	Motor Housing	(1)	49	42-68-0073	Blade Clamp	(1)
20	02-04-0940	Ball Bearing	(1)	50	42-28-0050	Spindle Block	(1)
21	31-55-0080	Coil Shield	(1)	51	38-50-2002	Spindle	(1)
22	23-16-0435	Field Insulator	(1)	52	06-81-6500	8-32x1-3/8 Fil. Hd. Sem	(2)
23	18-42-1220	115 V. Field	(1)	53	28-14-0571	Gear Case	(1)
24	06-57-2975	8-32 Flexlock Hex Nut	(2)	54	06-81-6705	8-32x1-7/8 Fil. Hd. Sem	(2)
25	16-42-1420	115 V. Armature	(1)	55	42-24-0091	Spindle Bearing	(1)
26	02-04-0940	Ball Bearing	(1)	56	45-16-0055	Pivot Shoe Assembly	(1)
27	06-81-6200	8-32x 5/8 Fil. Hd. Sem	(1)	57	06-81-9525	10-24x1/2 Truss Head Sem	(4)
28	28-28-0341	Diaphragm	(1)				
29	06-75-2400	10-32x1/2 Skt. Hd. Screw	(4)				
30	06-97-3400	Lock Washer	(3)				