



SERVICE PARTS LIST

BUL. 54-40-4254

TWO SPEED SAWZALL

REVISED BUL. 54-40-4253 DATE Nov. '78

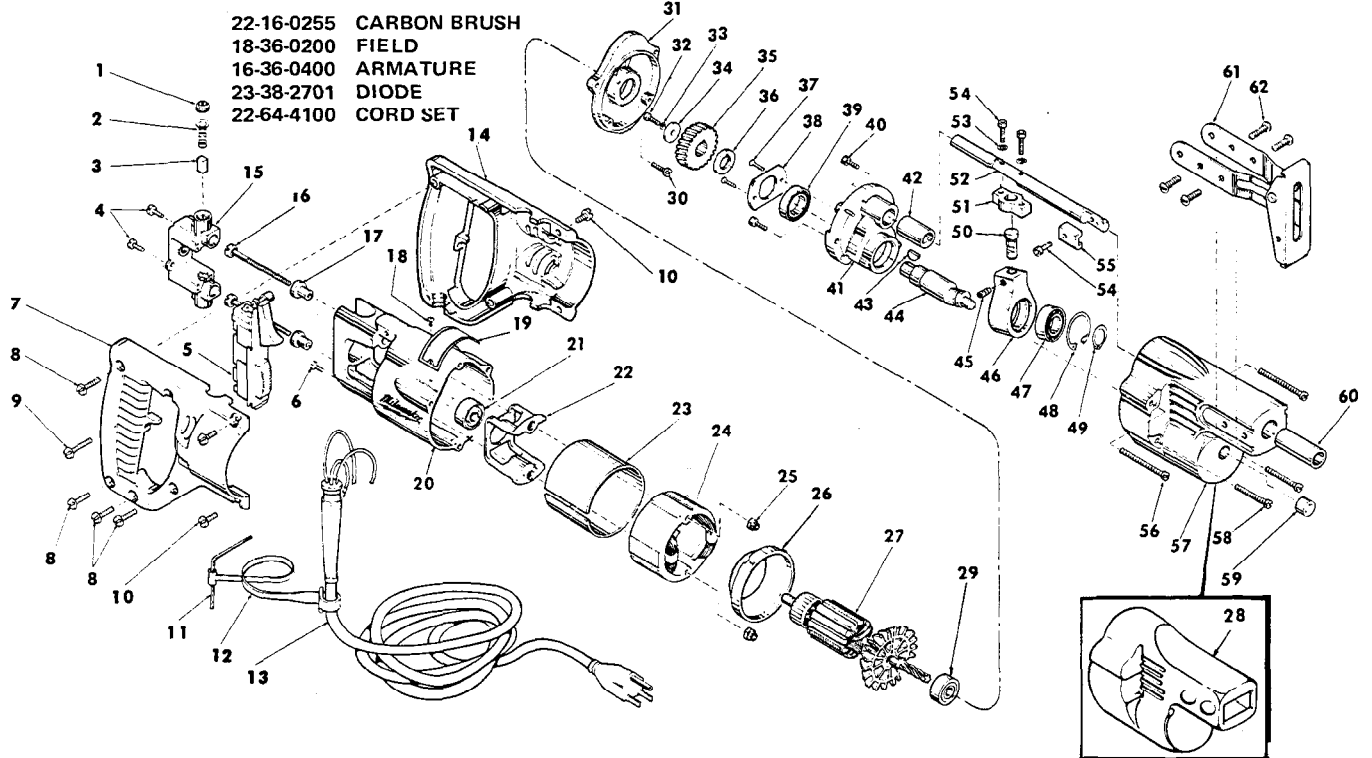
Catalog No. 6511

Starting 460-246188 THRU
Serial No. 460-251083

WIRING INSTRUCTIONS
58-01-0238

Specify Catalog and Serial No. when ordering parts

FOR CAT. NO. 6511-2 (240V) TOOL USE:



- 22-16-0255 CARBON BRUSH
- 18-36-0200 FIELD
- 16-36-0400 ARMATURE
- 23-38-2701 DIODE
- 22-64-4100 CORD SET

| FIG. | PART NO. | DESCRIPTION OF PART | NO. REQ. | FIG. | PART NO. | DESCRIPTION OF PART | NO. REQ. |
|------|------------|----------------------------|----------|------|------------|-----------------------------------|----------|
| 1 | 23-44-0120 | Brush Retaining Screw | (2) | 33 | 06-97-3400 | Lock Washer | (1) |
| 2 | 23-52-0160 | Brush Spring | (2) | 34 | 45-88-0180 | Retaining Washer | (1) |
| 3 | 22-16-0250 | Carbon Brush | (2) | 35 | 32-40-1101 | Intermediate Gear | (1) |
| 4 | 06-81-5475 | 6-32x3/8 Binding Hd. Sem | (2) | 36 | 45-36-0121 | Gear Spacer | (1) |
| 5 | 23-66-0751 | Switch | (1) | 37 | 06-81-2500 | 6-32x3/8 Flat Hd. Screw | (2) |
| 6 | 06-81-8625 | 6-32x1/4 Ground Screw | (1) | 38 | 44-86-0090 | Bearing Retainer | (1) |
| 7 | 31-44-0325 | R.H. Half D Handle | (1) | 39 | 02-04-1510 | Ball Bearing | (1) |
| 8 | 06-81-0400 | 8-32x3/4 Pan Hd. Screw | (4) | 40 | 06-81-6150 | 8-32x1/2 Fil. Hd. Sem. | (2) |
| 9 | 06-81-0472 | 8-32x1 Pan Hd. Screw | (1) | 41 | 28-72-1001 | Bearing Plate | (1) |
| 10 | 06-81-0047 | 8-32x1/2 Pan Hd. Screw | (4) | 42 | 42-24-0101 | Spindle Bearing | (1) |
| 11 | 49-96-0070 | 5/32 Socket Wrench | (1) | 43 | 06-42-1200 | Woodruff Key | (1) |
| 12 | 48-66-4080 | Key Holder | (1) | 44 | 36-92-0601 | Wobble Shaft | (1) |
| 13 | 22-64-0385 | Cord Set | (1) | 45 | 06-83-2650 | 1/4-20x3/8 Set Screw | (1) |
| 14 | 31-44-0321 | L.H. Half D Handle | (1) | 46 | 28-72-9001 | Wobble Plate (Incls. Fig. No. 45) | (1) |
| 15 | 22-22-0300 | Brush Holder Assembly | (2) | 47 | 02-04-1510 | Ball Bearing | (1) |
| 16 | 06-81-1055 | 8-32x2-3/16 Field Bolt | (2) | 48 | 34-80-2355 | Retaining Ring | (1) |
| 17 | 31-86-0120 | Insulating Spacer | (2) | 49 | 34-60-1200 | Retaining Ring | (1) |
| 18 | 06-85-0200 | 6x1/4 Rd. Hd. Type Z Screw | (2) | 50 | 45-58-0050 | Ball End Stud | (1) |
| 19 | 12-99-0031 | Nameplate | (1) | 51 | 30-10-1010 | Spindle Block | (1) |
| 20 | 28-50-6147 | Motor Housing | (1) | 52 | 38-50-2002 | Spindle | (1) |
| 21 | 02-04-0891 | Ball Bearing | (1) | 53 | 06-97-3400 | Lock Washer | (2) |
| 22 | 31-55-0030 | Coil Shield | (1) | 54 | 06-75-2400 | 10-32x1/2 Skt. Hd. Screw | (3) |
| 23 | 23-16-0455 | Field Insulator | (1) | 55 | 42-68-0073 | Blade Clamp | (1) |
| 24 | 18-30-0200 | 120 V. Field | (1) | 56 | 06-81-6707 | 8-32x1-7/8 Fil. Hd. Sem | (2) |
| 25 | 06-57-2975 | 8-32 Flexlock Hex Nut | (2) | 57 | 28-14-0571 | Gear Case | (1) |
| 26 | 31-05-0050 | Baffle | (1) | 58 | 06-81-6502 | 8-32x1-3/8 Fil. Hd. Sem | (2) |
| 27 | 16-30-0400 | 120 V. Armature | (1) | 59 | 02-50-1640 | Needle Bearing | (1) |
| 28 | 45-12-0300 | Gear Case Insulator | (1) | 60 | 42-24-0091 | Spindle Bearing | (1) |
| 29 | 02-04-0940 | Ball Bearing | (1) | 61 | 45-16-0055 | Pivot Shoe Assembly | (1) |
| 30 | 06-81-6202 | 8-32x5/8 Fil. Hd. Sem | (1) | 62 | 06-81-9525 | 10-24x1/2 Truss Head Sem | (4) |
| 31 | 28-28-0342 | Diaphragm | (1) | 63 | 23-38-2700 | Diode For Switch (Not Shown) | (1) |
| 32 | 06-75-2400 | 10-32x1/2 Skt. Hd. Screw | (1) | 64 | 12-98-7081 | Caution Plate (Not Shown) | (1) |