



SERVICE PARTS LIST

BULLETIN NO.
54-40-0100

SPECIFY CATALOG NO. AND SERIAL NO. WHEN ORDERING PARTS		REVISED BULLETIN	DATE
TRIGGER SPEED CONTROL SAWZALL			May '83
CATALOG NO. 6507	STARTING SERIAL NO. 631-1001	WIRING INSTRUCTION	
		58-01-0249	
CAT. NO. 6507-6	START SER. NO. 631-1001	BILINGUAL LABEL 10-98-6120	

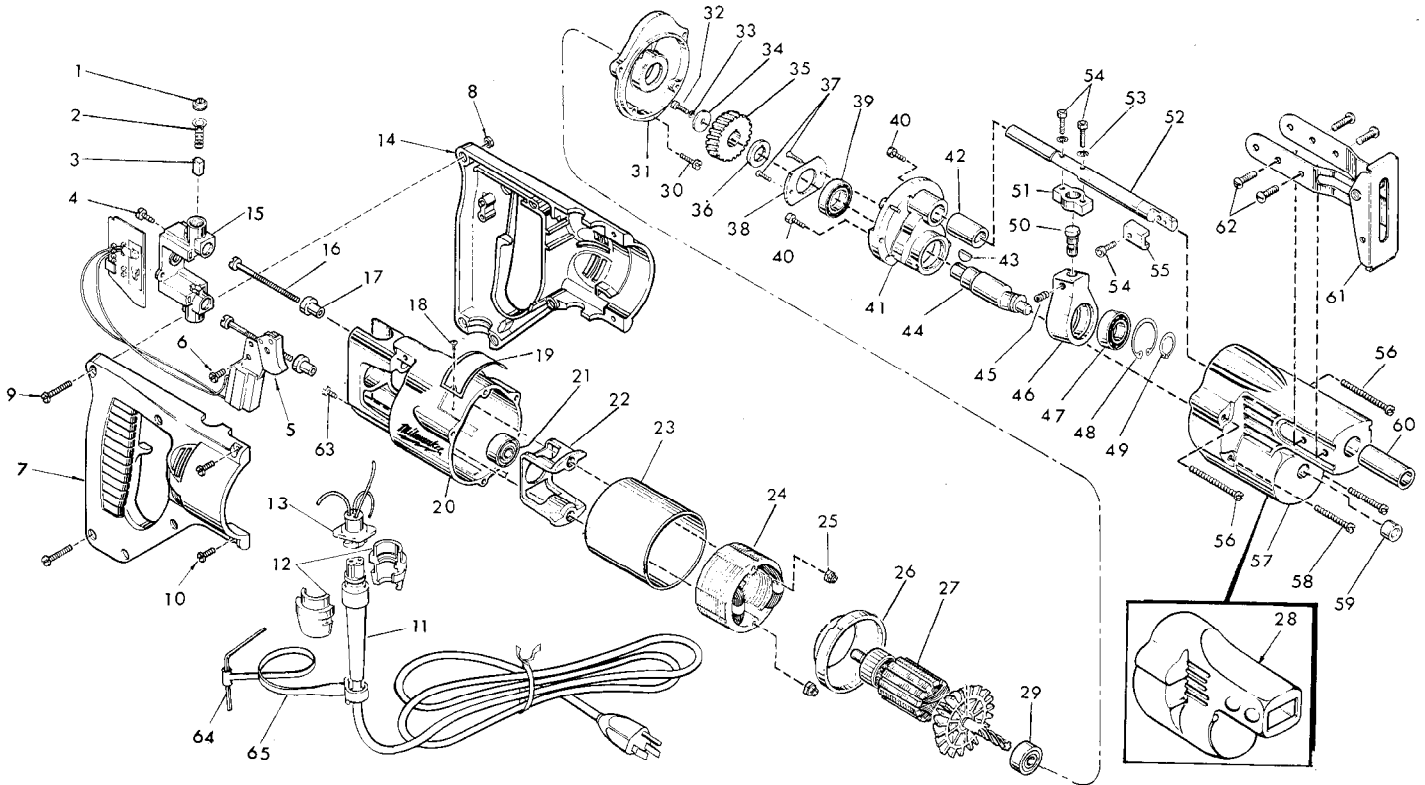


FIG.	PART NO.	DESCRIPTION OF PART	NO. REQ.
1	23-44-0120	Brush Retaining Screw	(2)
2	23-52-0160	Brush Spring	(2)
3	22-16-0250	Carbon Brush	(2)
4	06-95-0116	6-32 x 5/8" Pan Hd. Taptite Screw	(2)
5	23-66-0955	Speed Control Switch	(1)
6	06-95-0215	8-18x1/2 Thread Form. Screw	(1)
7	31-44-0582	R.H. Half D Handle	(1)
8	06-55-0835	8-32 Hex Nut	(5)
9	06-81-0473	8-32 x 1" Pan Hd. Pozidriv Screw	(5)
10	06-95-0700	8-32 x 1/2" Pan Hd. Taptite Screw	(4)
11	48-76-3008	Cord Set (Includes Fig. No. 12)	(1)
12	44-40-0440	Cord Nut	(2)
13	22-56-0391	Pin Housing Assy.	(1)
14	31-44-0592	L.H. Half D Handle	(1)
15	22-22-0302	Brush Holder Assembly	(1)
16	06-81-1055	8-32x2-3/16 Field Bolt	(2)
17	31-86-0120	Insulating Spacer	(2)
18	06-85-0200	6x1/4 Rd. Hd. Type Z Screw	(2)
19	12-99-0360	Nameplate Blank	(1)
20	28-50-6147	Motor Housing	(1)
21	02-04-0891	Ball Bearing	(1)
22	31-55-0030	Coil Shield	(1)
23	23-16-0456	Field Insulator	(1)
24	18-30-0300	120 V. Field	(1)
25	06-57-2975	8-32 Flexlock Hex Nut	(2)
26	31-05-0050	Baffle	(1)
27	16-30-0420	120 V. Armature	(1)
28	45-12-0300	Gear Case Insulator	(1)
29	02-04-0940	Ball Bearing	(1)
30	06-81-0919	8-32 x 5/8" Fil. Hd. Pozidriv Screw	(1)
31	28-28-0342	Diaphragm	(1)
32	06-75-2400	10-32x1/2 Skt. Hd. Screw	(1)
33	06-97-3400	Lock Washer	(1)

FIG.	PART NO.	DESCRIPTION OF PART	NO. REQ.
34	45-88-0180	Retaining Washer	(1)
35	32-40-1101	Intermediate Gear	(1)
36	45-36-0121	Gear Spacer	(1)
37	06-81-2502	6-32x3/8 Flat Hd. Screw	(2)
38	44-86-0090	Bearing Retainer	(1)
39	02-04-1510	Ball Bearing	(1)
40	06-81-0905	8-32 x 1/2" Fil. Hd. Pozidriv Screw	(2)
41	28-72-1001	Bearing Plate	(1)
42	42-24-0105	Spindle Bearing	(1)
43	06-42-1200	Woodruff Key	(1)
44	36-92-0601	Wobble Shaft	(1)
45	06-83-2650	1/4-20x3/8 Set Screw	(1)
46	28-72-9001	Wobble Plate (Incls. Fig. No. 45)	(1)
47	02-04-1510	Ball Bearing	(1)
48	34-80-2355	Retaining Ring	(1)
49	34-60-1200	Retaining Ring	(1)
50	45-58-0055	Ball End Stud	(1)
51	30-10-1020	Spindle Block	(1)
52	38-50-2002	Spindle	(1)
53	06-97-3400	Lock Washer	(2)
54	06-75-2400	10-32x1/2 Skt. Hd. Screw	(3)
55	42-68-0073	Blade Clamp	(1)
56	06-81-1010	8-32 x 1-7/8" Fil. Hd. Pozidriv Screw	(2)
57	28-14-0571	Gear Case	(1)
58	06-81-1005	8-32 x 1-3/8" Fil. Hd. Pozidriv Screw	(2)
59	02-50-1640	Needle Bearing	(1)
60	42-24-0095	Spindle Bearing	(1)
61	45-16-0495	Pivot Shoe Assembly	(1)
62	06-95-0800	10-24 x 1/2" Pan Hd. Pozidriv Screw	(4)
63	06-95-5150	Ground Screw	(1)
64	49-96-0070	5/32 Socket Wrench	(1)
65	48-66-4080	Key Holder	(1)

MILWAUKEE ELECTRIC TOOL CORPORATION
13135 W. LISBON RD., BROOKFIELD, WIS. 53005