



SERVICE PARTS LIST

BULLETIN NO.
54-40-4122

SPECIFY CATALOG NO. AND SERIAL NO. WHEN ORDERING PARTS		REVISED BULLETIN 54-40-4121	DATE Sept. '81
TRIGGER SPEED CONTROL SAWZALL			
CATALOG NO. 6506	STARTING SERIAL NO. 541-54500	WIRING INSTRUCTION 58-01-0246	

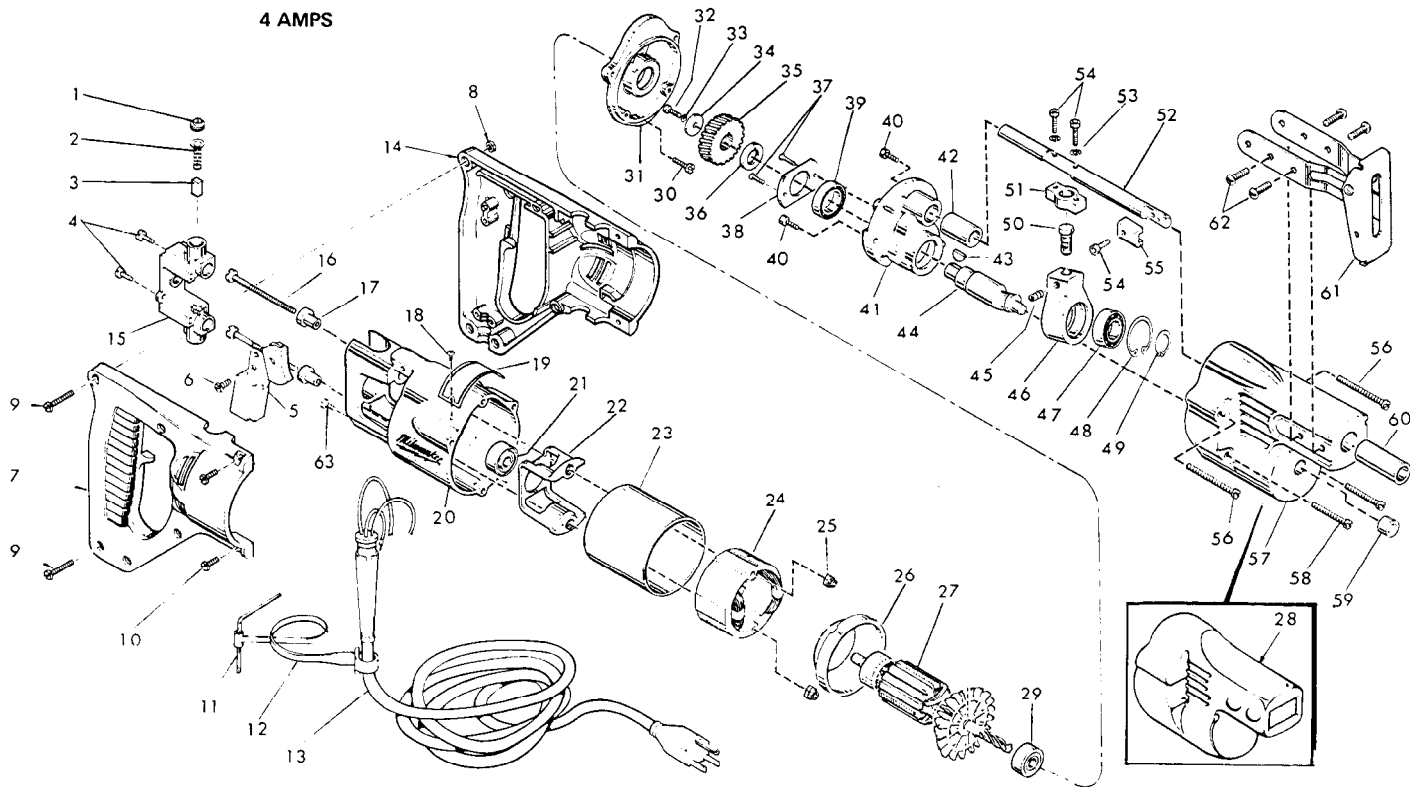


FIG.	PART NO.	DESCRIPTION OF PART	NO. REQ.
	1	23-44-0120 Brush Retaining Screw	(2)
	2	23-52-0160 Brush Spring	(2)
	3	22-16-0250 Carbon Brush	(2)
	4	06-81-5477 6-32x3/8 Binding Hd. Sem	(2)
	5	23-66-0960 Speed Control Switch	(1)
★	6	06-95-0215 8-18x1/2 Thread Form. Screw	(1)
★	7	31-44-0562 R.H. Half D Handle	(1)
★	8	06-55-0825 8-32 Hex Nut	(5)
	9	06-81-0472 8-32x1 Pan Hd. Screw	(5)
	10	06-81-0047 8-32x1/2 Pan Hd. Screw	(4)
	11	49-96-0070 5/32 Socket Wrench	(1)
	12	48-66-4080 Key Holder	(1)
★	13	22-64-0405 Cord Set	(1)
★	14	31-44-0572 L.H. Half D Handle	(1)
★	15	22-22-0302 Brush Holder Assembly	(1)
	16	06-81-1055 8-32x2-3/16 Field Bolt	(2)
	17	31-86-0120 Insulating Spacer	(2)
	18	06-85-0200 6x1/4 Rd. Hd. Type Z Screw	(2)
	19	12-99-0031 Nameplate	(1)
	20	28-50-6147 Motor Housing	(1)
	21	02-04-0891 Ball Bearing	(1)
	22	31-55-0030 Coil Shield	(1)
★	23	23-16-0456 Field Insulator	(1)
	24	18-30-0200 120 V. Field	(1)
	25	06-57-2975 8-32 Flexlock Hex Nut	(2)
	26	31-05-0050 Baffle	(1)
★	27	16-30-0410 120 V. Armature	(1)
	28	45-12-0300 Gear Case Insulator	(1)
	29	02-04-0940 Ball Bearing	(1)
	30	06-81-6202 8-32x5/8 Fil. Hd. Sem	(1)
	31	28-28-0342 Diaphragm	(1)
	32	06-75-2400 10-32x1/2 Skt. Hd. Screw	(1)
	33	06-97-3400 Lock Washer	(1)

FIG.	PART NO.	DESCRIPTION OF PART	NO. REQ.
	34	45-88-0180 Retaining Washer	(1)
	35	32-40-1101 Intermediate Gear	(1)
	36	45-36-0121 Gear Spacer	(1)
	37	06-81-2502 6-32x3/8 Flat Hd. Screw	(2)
	38	44-86-0090 Bearing Retainer	(1)
	39	02-04-1510 Ball Bearing	(1)
	40	06-81-6152 8-32x1/2 Fil. Hd. Sem	(2)
	41	28-72-1001 Bearing Plate	(1)
	42	42-24-0105 Spindle Bearing	(1)
	43	06-42-1200 Woodruff Key	(1)
	44	36-92-0601 Wobble Shaft	(1)
	45	06-83-2650 1/4-20x3/8 Set Screw	(1)
	46	28-72-9001 Wobble Plate (Incls. Fig. No. 45)	(1)
	47	02-04-1510 Ball Bearing	(1)
	48	34-80-2355 Retaining Ring	(1)
	49	34-60-1200 Retaining Ring	(1)
	50	45-58-0055 Ball End Stud	(1)
	51	30-10-1010 Spindle Block	(1)
	52	38-50-2002 Spindle	(1)
	53	06-97-3400 Lock Washer	(2)
	54	06-75-2400 10-32x1/2 Skt. Hd. Screw	(3)
	55	42-68-0073 Blade Clamp	(1)
	56	06-81-6707 8-32x1-7/8 Fil. Hd. Sem	(2)
	57	28-14-0571 Gear Case	(1)
	58	06-81-6502 8-32x1-3/8 Fil. Hd. Sem	(2)
	59	02-50-1640 Needle Bearing	(1)
	60	42-24-0095 Spindle Bearing	(1)
	61	45-16-0055 Pivot Shoe Assembly	(1)
	62	06-81-5692 10-24x1/2 Pan Head Sem	(4)
	63	06-81-8625 6-32x1/4 Ground Screw	(1)
	64	12-98-7082 Caution Plate (Not Shown)	(1)